



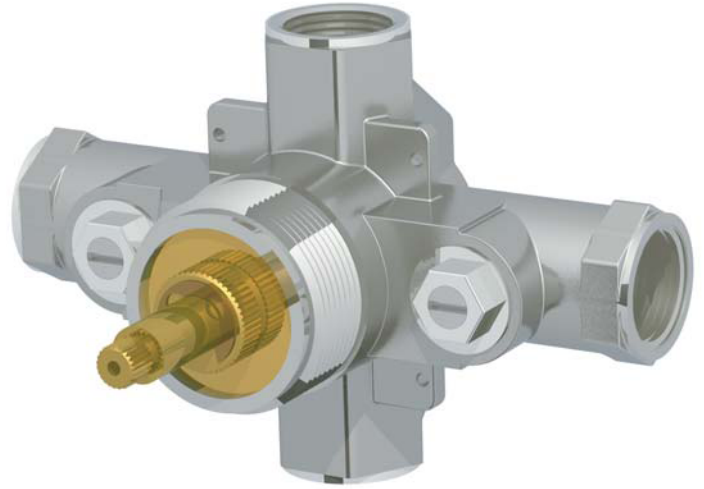
Thermostatic Valve PL8950

Description

- Super high flow 3/4" Thermostatic valve body
- Complies w/ASSE 1016 standard
- Flow rate : 20 GPM
- Made in Italy
- IAPMO listed and approved UPC

Standards

N / A



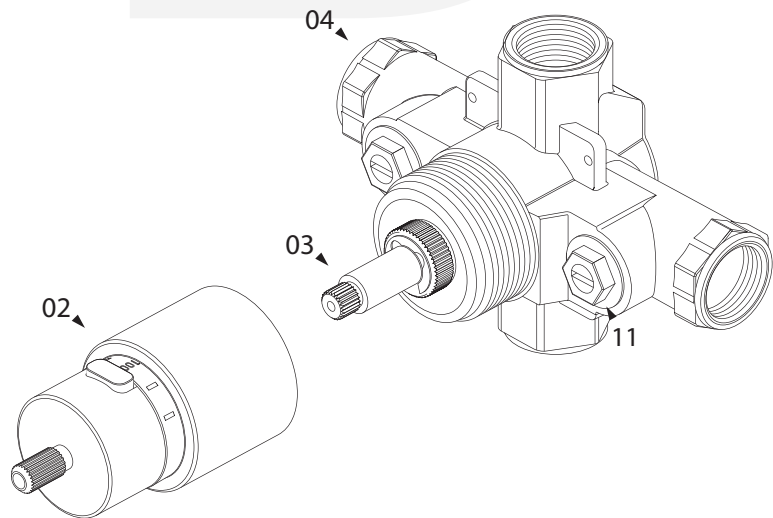
Colors / FinishES

N / A

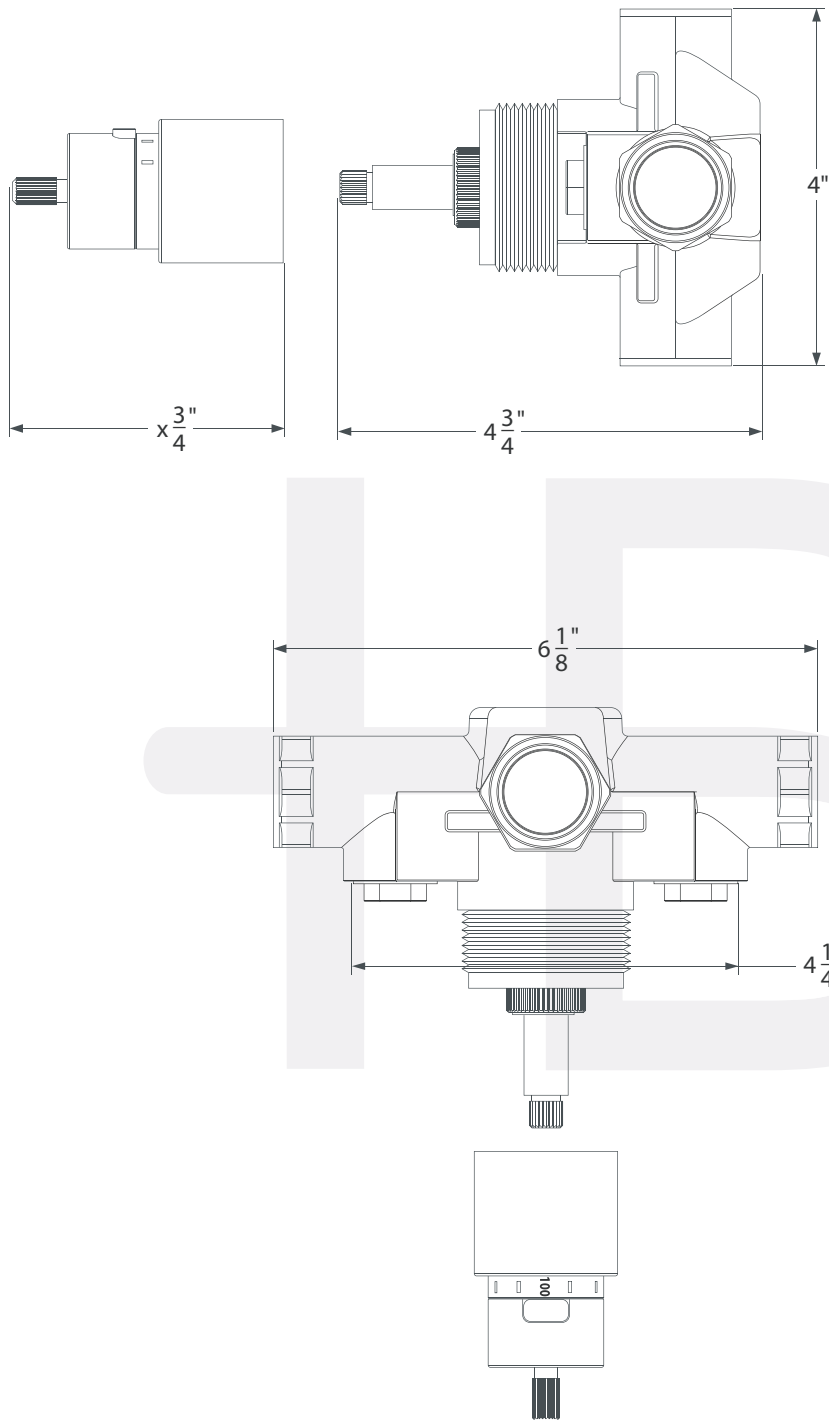
Special Handle & Escutcheon Option
N/A

BREAK DOWN Component Parts List

#	PART NAME	QTY
1	HANDLE OPTION : DESIGNS ON TRIM STYLES	1
2	ADAPTOR	1
3	LOCK CAP	1
4	SLEEVE COST	1
5	FACE PLATE HOLE COVER	1
6	LONG SCREW	2
7	FACE PLATE	1
8	RUBBER RING	1
9	CARTRIDGE	1
10	VALVE	1
11	METAL D SET DIVERTER	1



SPECIFIED MODEL - Handle Option



Item Number	Type	Date
PL8950	Valve	11-30-09