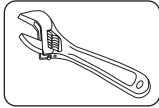


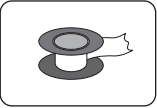


# Wyndamere Series Faucet installation

## Tools You Will Need



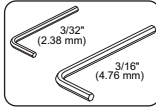
Adjustable Wrench



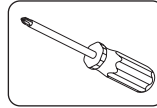
Pipe Tape



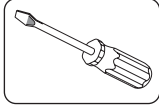
Groove joint plier



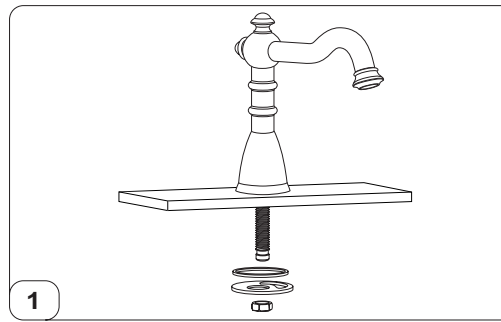
Allen Wrench  
3/32" (2.38 mm)  
3/16" (4.76 mm)



Phillips Screwdriver

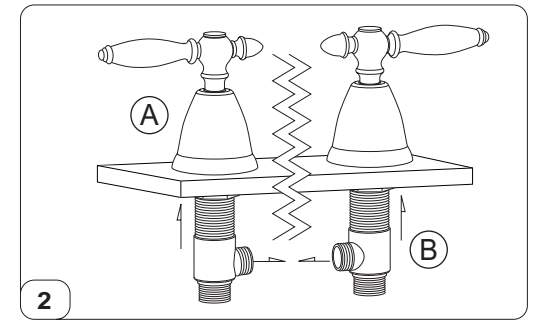


Flathead Screwdriver



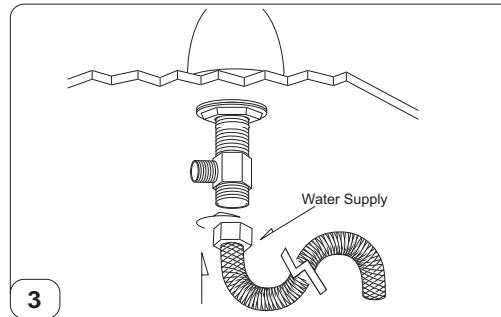
1

Install spout. Remove T connector and mounting hardware from stem of spout. Ensure gasket under rim of spout is firmly seated in groove. Mount spout through center hole of sink. From underneath sink, place rubber gasket and metal washer on spout stem. Make sure crescent-shaped slot in metal washer is to the back. Screw mounting nut onto stem until finger tight.



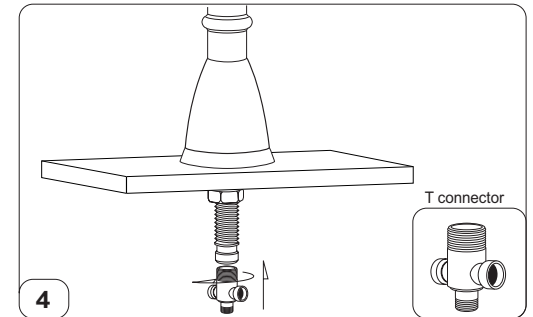
2

**A.** From underneath sink, slide hot stem up through left hole in sink. The side opening in the stem faces out. Place rubber gasket on top of stem. Screw handle base (escutcheon) onto stem until finger tight. Adjust height of the stem to the thickness of the sink.  
**B.** The stem can be adjusted up or down by loosening or tightening the metal locknut underneath the sink. Tighten underneath metal locknut until finger tight. Repeat for cold stem in right hole. Position handle and tighten with set screw.



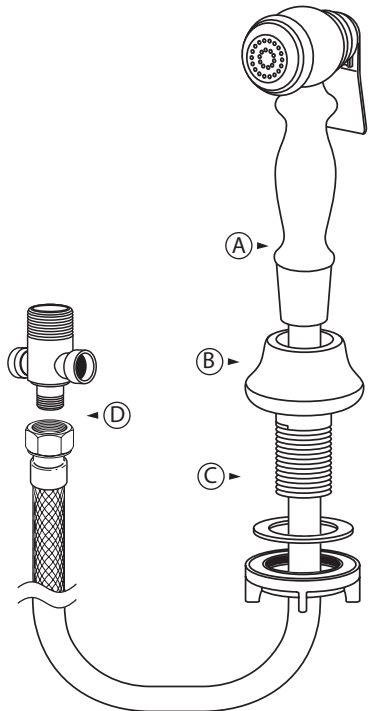
3

Attach water supply lines. Connect main water supply lines to bottom openings of handle valve stems.



4

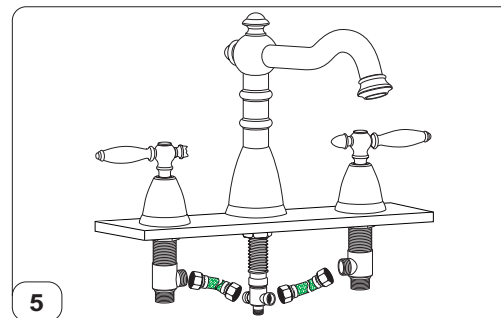
Screw T connector onto bottom of spout stem until it stops. Position T connector at a slight angle.



WYKTSxxBL only

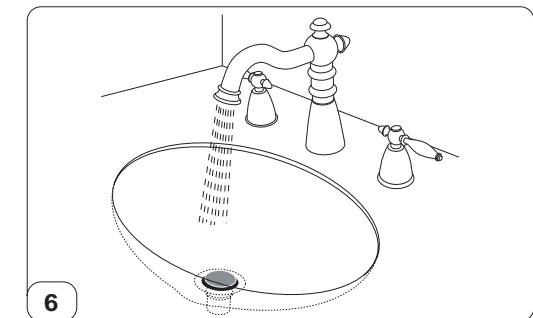
### Optional Side Sprayer Installation

Use washers and Teflon tape when necessary.  
**A.** Connect the shower hose to the handheld shower. Push other end of the hose through the shower flange.  
**B.** Insert a black rubber washer and then connect the hose to the bottom connector of the valve.  
**C.** Connect all stainless steel braided water lines to the cold and hot nipples, and also to the spout nipple.  
**D.** Install handle on the cartridge stem and tighten it by using the supplied set screw.  
**E.** Run water for about two minutes and make sure all connections are working without any leakage.



5

Connect water supply hoses first to T connector and then to handle valve stems.



6

Flush system. Turn main water supply on. Turn on both faucet handles. Let run for two minutes. Replace aerator. Check for leaks.

Help Info? Please call Toll-FREE customer service line at 1-800-888-6604 for additional assistance service.