

Thermostatic Valve and Trim

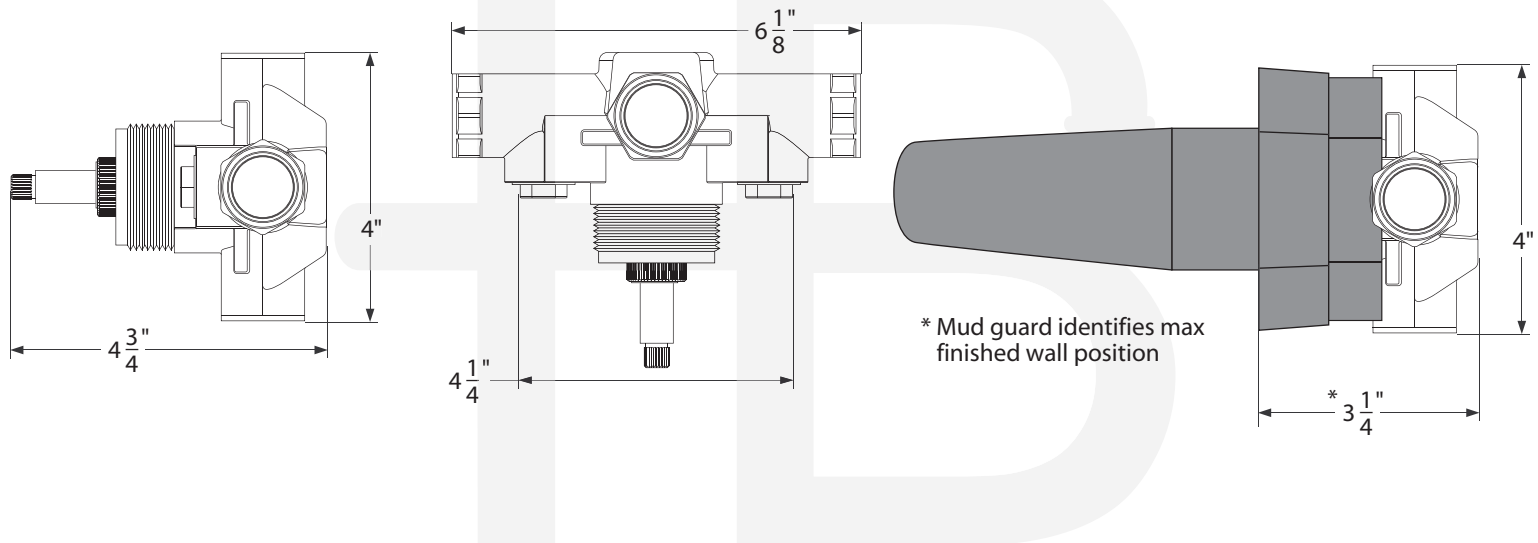
Description

- Trim and PL8950 valve
- Brass lever handles and face plate



Standards

- ASME A112.18.1
- Listed IAPMO / UPC & CUPC
- ADA Accessibility Guidelines for Buildings and Facilities - 4.27.4 Controls and Mechanisms (lever handle only)



PL9962-xx

