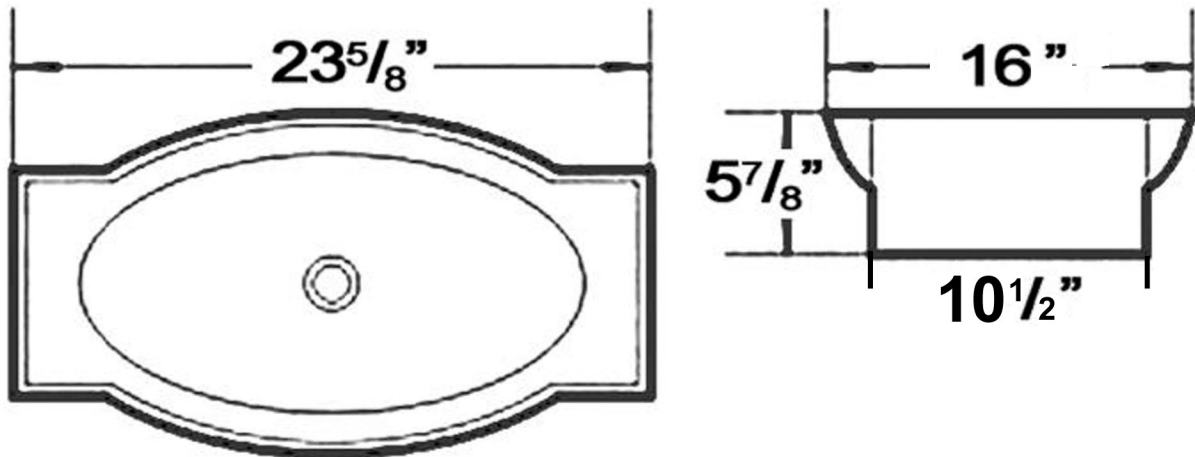


 Whitehaus®

WHKN4014



Inside Bowl Dimensions
 $20\frac{3}{4}$ " x $14\frac{3}{4}$ " x $2\frac{3}{4}$ "

LIVE WITH STYLE!