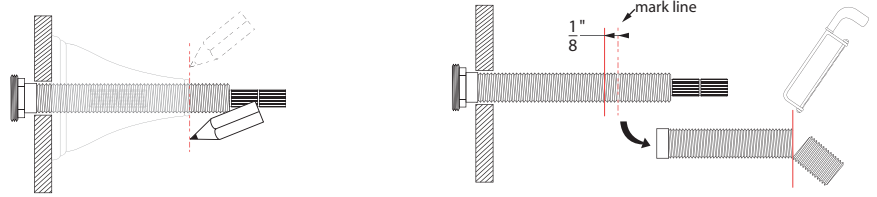


Important

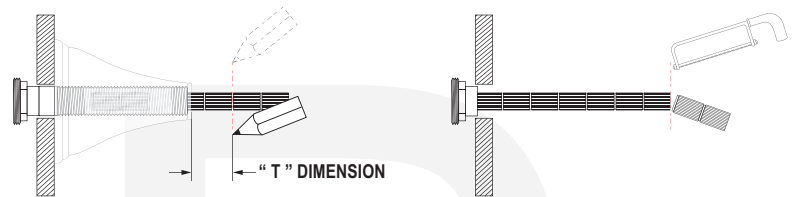
Valve stem & thread will have to be cut differently to fit various trims. Make sure that no part of the valve is altered until trim is in hand ready to install. HB will not assume responsibility for installation negligence.

1 Finding the "L" Dimension



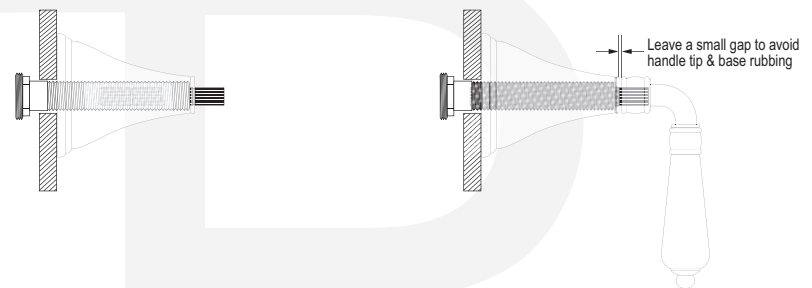
To find the "L" dimension after the rough-in is installed and the finished wall is completed, first install the handle escutcheon and ring (if applicable). Mark the threaded nipple where the escutcheon ends. Remove the nipple by unscrewing and then cut the nipple 1/8" below the marking to ensure that the handle tip will fit flush with the escutcheon. Once the nipple is cut to the proper length, reinstall onto the cartridge stem, and prepare to measure the "T" dimension for the stem length.

2 Finding the "T" Dimension

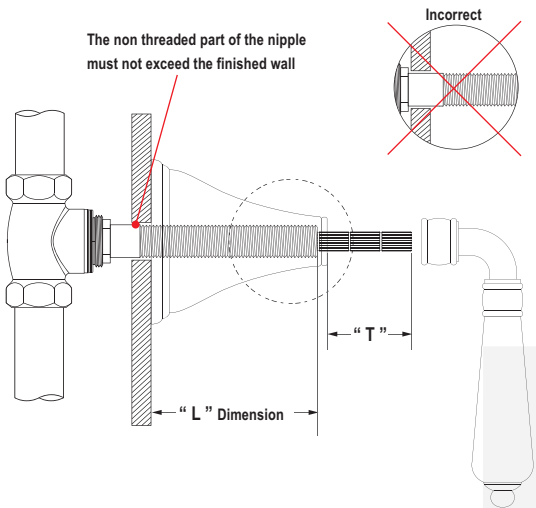


To find the "T" dimension, first reinstall the escutcheon and base ring after the threaded nipple has been cut to the correct length. Make sure that none of the threaded nipple is protruding from the escutcheon. Next, cut the broach to the specific "T" dimension for the handle style that is applied. Cut the broach stem at the notch area if possible, if not then some filing of the end of the stem may be needed to fit the handle tip on the stem.

3



Finally, after the threaded nipple and the stem are cut to the proper dimensions for the trim to be installed, you can install the handle trim parts. First, place the ring or flange on and screw the handle escutcheon onto the threaded nipple until tight. HB advises using silicone caulking where the wall and the escutcheon meet. Next, install the handle tip by sliding the handle tip onto the stem and securing with the set screw (some handles may use a top down screw to install) Make sure the handle tip is pointed down in the off position.



Before Installing Handle Trim

1. "L" dimension - The "L" dimension is the length that the all thread (9/16-20) nipple should be cut to for applicable trim installation. To find the "L" dimension, see step 1 of the trim installation process.

2. "T" dimension - The "T" dimension is the length of the stem that should protrude from the escutcheon base after the nipple is marked, cut and installed back on the valve.

