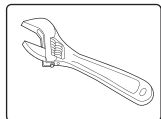




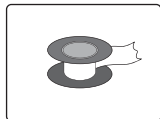
### Tools You Will Need



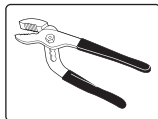
Plumber's putty



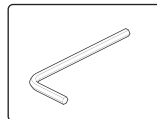
Adjustable Wrench



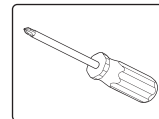
Pipe Tape



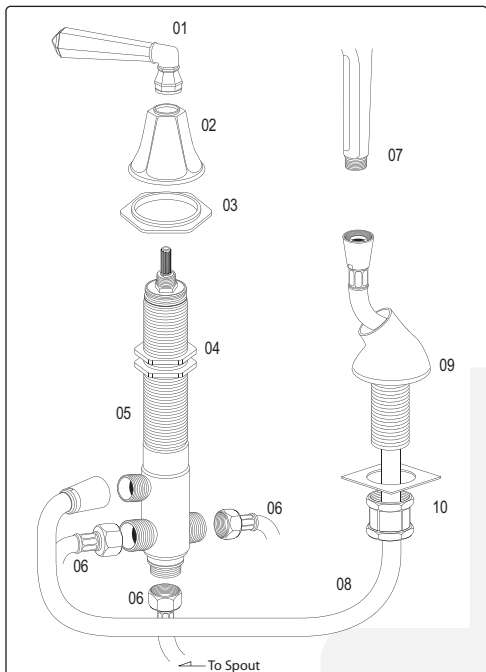
Groove joint plier



Allen Wrench



Phillips Screwdriver



Connect the hoses.

1. The top connection (the smaller one) is for the hand held shower.
2. The two outlets on each side are connections for the hot and cold hoses coming from the hot and cold shanks on the faucet.
3. The bottom outlet connects to the bottom of the spout shank.

#	PART NAME	QTY
01	HANDLE TIP	1
02	ESCUTCHEON	1
03	FLANGE	1
04	LOCK NUT	2
05	TRANSFER VALVE	1
06	HOSE	3
07	HANDLE SHOWER	1
08	HAND SHOWER HOSE	1
09	HOUSING	1
10	LOCK NUT & METAL WASHER	1
11		
12		
13		

