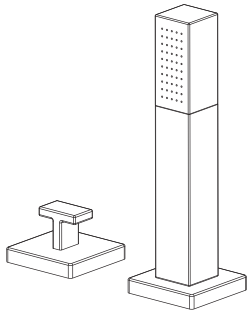


TRVxxFFL Transfer Valve Set



Before Your Installation

- Read all instructions carefully.
- Assemble all tools.
- Turn off main water supply before removing old faucet and fixtures.
- Clean surface before installing new faucet.
- Insert a cloth or stopper into drain to prevent small parts from getting lost.
- HB recommends that when cleaning you HB faucet to only use soap and warm water. The use of any chemical substances will void finish warranty

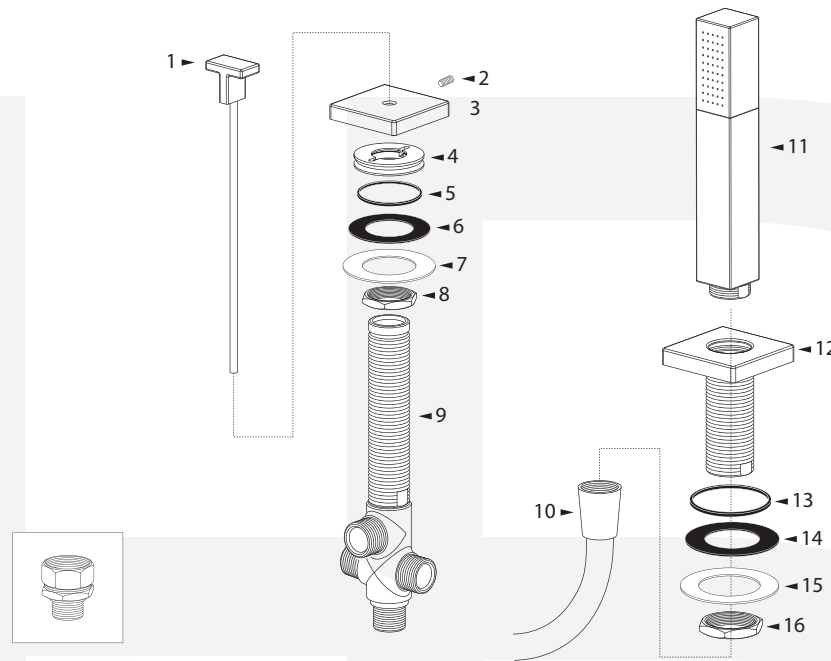
Tips for Successful Installations

- Use joint compound or Teflon® tape on all threaded connections to prevent leaks.
- Use a soft cloth to protect the faucet's finish when using a wrench, pliers or other tools that could scratch the faucet.
- Tighten all hose connections by hand. Do not over tighten.
- Before turning main water supply back on, open several faucets around the house to prevent pressure from building up.
- If you experience problems with the installation consult a professional plumber.

Help Info? Please call Toll-FREE customer service line at 1-800-888-6604 for additional assistance service.

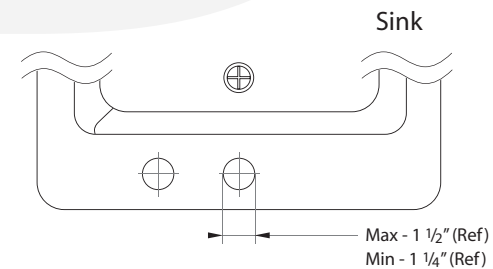
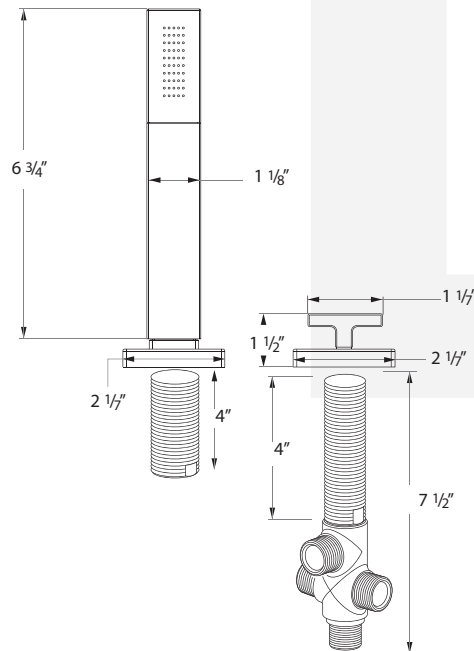
Requiere asistencia? Favor de llamar a nuestro servicio a clientes sin costo al 1-800-888-6604 para asistencia adicional o servicio.

11100 Dana Circle Cypress, CA 90630
Tel : 800-888-6604 | Fax : 888-455-5007
www.huntingtonbrass.com

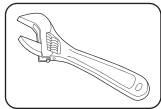


#	Parts	Qty
01	Diverter rod	1
02	Set screw	1
03	Escutcheon	1
04	Escutcheon adaptor	1
05	Adaptor washer	1
06	Rubber washer	1
07	Metal washer	1
08	Lock nut	1
09	Valve body	1
10	Hand shower hose	1
11	Hand shower	1
12	Hand shower holder	1
13	Housing escutcheon washer	1
14	Rubber washer	1
15	Metal washer	1
16	Lock nut	1

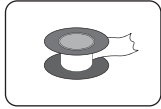
Specification Sheet



Tools You Will Need



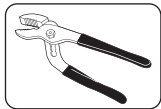
Adjustable Wrench



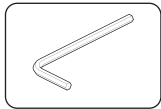
Pipe Tape



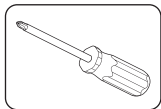
Silicone Caulking



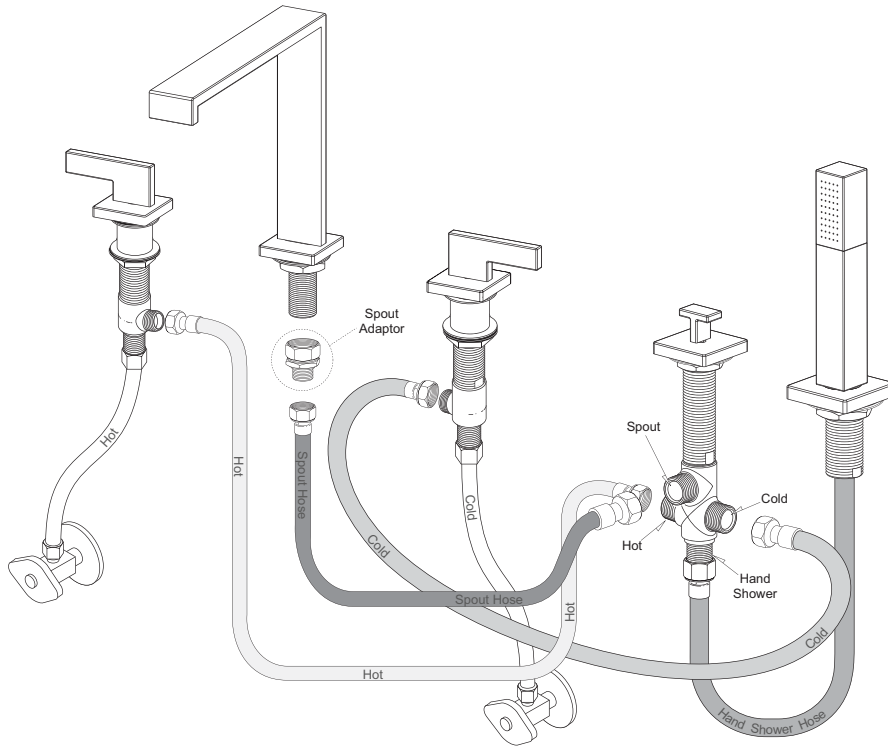
Groove joint plier



Allen Wrench



Phillips Screwdriver



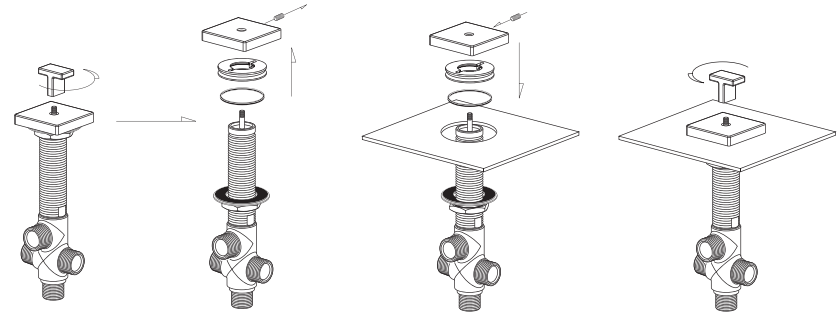
Connect the water supply lines:

1. Connect the spout hose to the bottom of the spout adaptor (note: this adaptor is part of the T-connector, you will need unscrew the T-connector)
2. Connect the other end of the hose to the highest side outlet on the transfer valve.
3. Connect the steel braided water supply lines supplied from the transfer valve to the hot and cold valves. (note: make sure to connect the water supply lines to the side outlets of the valve bodies). End hex nut on the hoses should be hand tighten plus an extra 1/2 turn with a wrench. Do not over tighten the hose connections.
4. Connect the water lines from the house to the bottom of the valves. Those hoses are not supplied by H.B.)
5. Connect the hand shower hose to the bottom outlet on the transfer valve.

Flush the system:

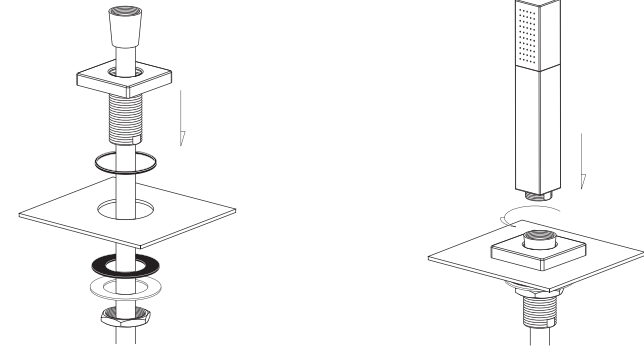
You will need to flush and test the system. Remove the aerator from the spout. Turn the main water supply back on and turn both the hot and cold valves on. Let the water run for about 2-3 minutes. Turn transfer valve on and off. Check above and below the deck surface and at all major connection points for leakage.

Thank you for choosing Huntington Brass. Your new HB faucet is guaranteed to give you a life time of worry free, impeccable function.



1. Unscrew the diverter rod.
2. Take the diverter square escutcheon off from the diverter valve.
3. Take the escutcheon adaptor off from the valve.
4. Install lock nut to the diverter valve.

1. From underneath slide the transfer valve up the hole.
2. Place the adaptor washer on the bottom of the escutcheon adaptor.
3. From the top screw the escutcheon adaptor to the top of the transfer valve. Make sure that the adaptor sits flush down against the countertop.
4. Place the square escutcheon down over the adaptor. Make sure it sits flush.
5. Tighten the set screw so it holds the escutcheon to the adaptor.
6. Screw the lever knob to the top of the transfer valve.



1. Slide the hand shower hose through the housing and down the hole.
2. From the top place the housing through the hole on the countertop.
3. From underneath slide the rubber washer metal washer up the threads on the housing, and tighten up the lock nut so that it secures housing.

1. Screw the hand shower to the hand shower hose.

