



# TRIM KIT - Tub & Shower TR-TSxxZL

## Description

- Brass lever handles
- Solid brass construction

## Standards

- ASME A112.18.1
- Listed IAPMO / UPC & CUPC
- ADA Accessibility Guidelines for Buildings and Facilities - 4.27.4 Controls and Mechanisms (lever handle only)

## Colors / Finishes

- 01 - Chrome
- 12 - Satin Nickel
- 20 - Antique Bronze
- 21 - Antique Brass
- 22 - Antique nickel
- 23 - Antique Copper
- 24 - Satin Copper
- 27 - Matte Nickel
- 28 - ORB
- 29 - Polished Nickel

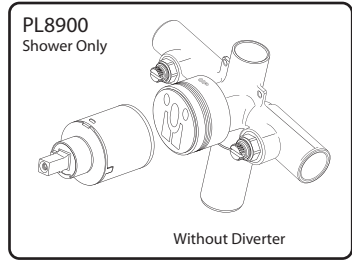
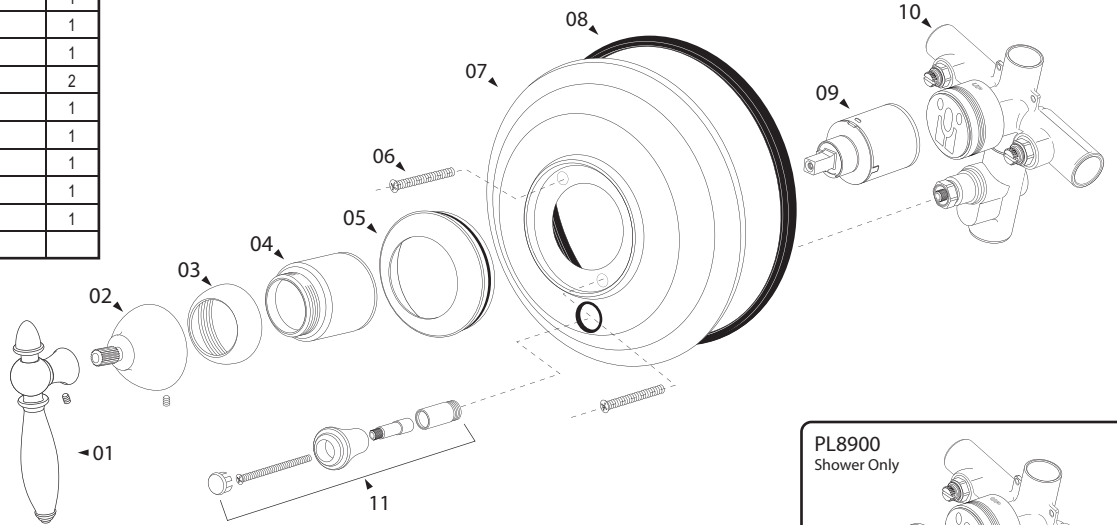
- 70 - Polished Brass (PVD)
- 71 - Polished Nickel (PVD)
- 72 - Satin Nickel (PVD)
- 73 - Satin Brass (PVD)

Please add finish code when placing order for parts with using following finish code table. For example J handle in Chrome will be BJ-01, BJ-12 for Satin Nickel.

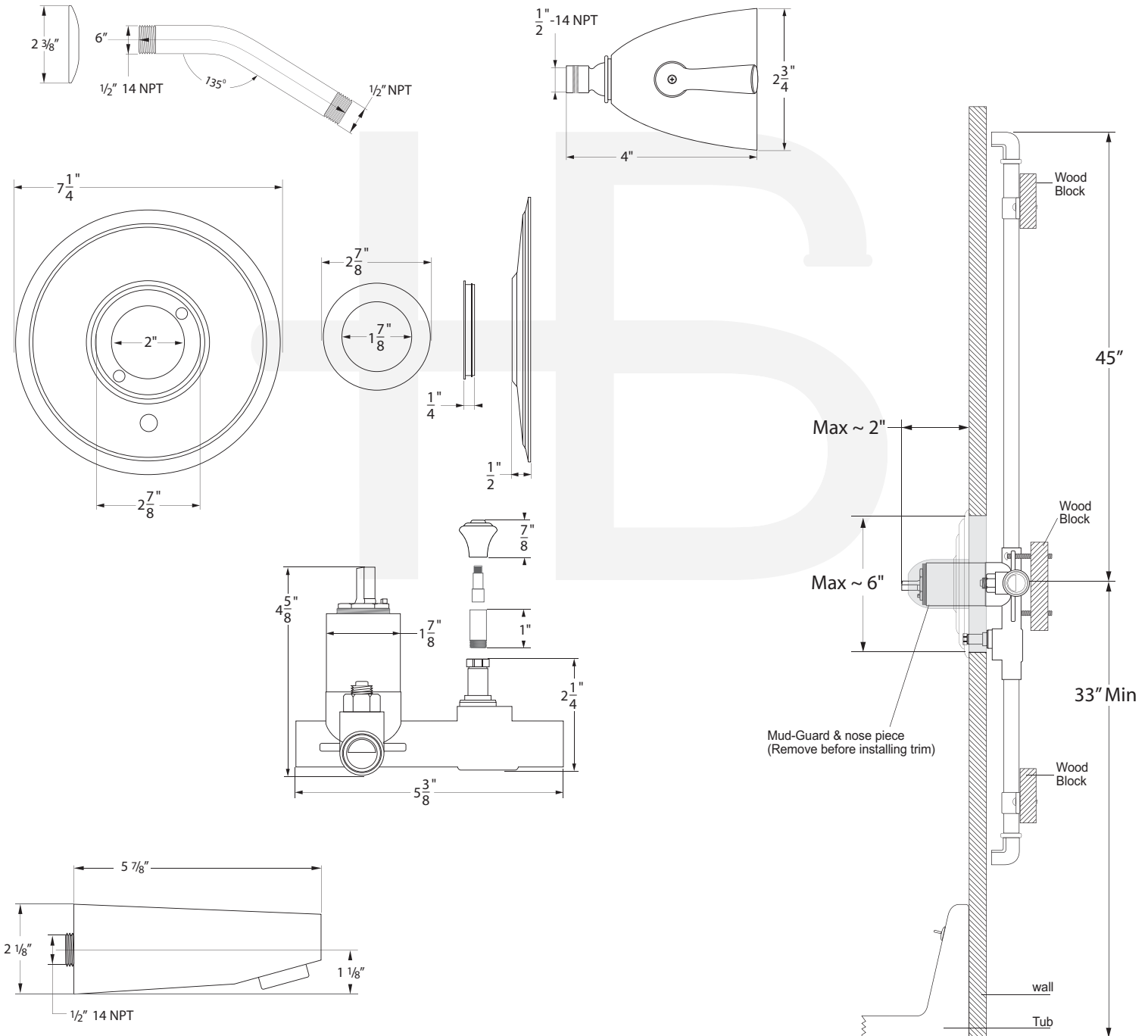
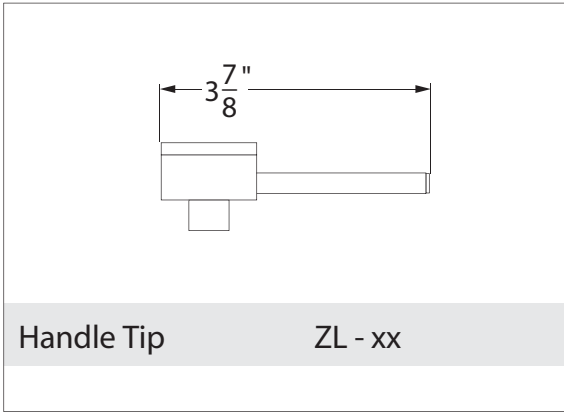


## TYPICAL BREAK DOWN Component Parts List

#	PART NAME	QTY
1	HANDLE OPTION : DESIGNS ON TRIM STYLES	1
2	ADAPTOR	1
3	LOCK CAP	1
4	SLEEVE COST	1
5	FACE PLATE HOLE COVER	1
6	LONG SCREW	2
7	FACE PLATE	1
8	RUBBER RING	1
9	CARTRIDGE	1
10	VALVE	1
11	METAL D SET DIVERTER	1



# SPECIFIED MODEL - Handle Option



Item Number	Type	Date
TR-TSxxZL	Trim Kit	07/29/2005