



TRIM KIT - Tub & Shower

Description

- Tub & shower trim kit
- Brass lever handles
- Brass power-jet shower head (square style)

Standards

- ASME A112.18.1
- Listed IAPMO / UPC & CUPC
- ADA Accessibility Guidelines for Buildings and Facilities - 4.27.4 Controls and Mechanisms (lever handle only)

Colors / FinishES

- 01 - Chrome
- 12 - Satin Nickel
- 20 - Antique Bronze
- 21 - Antique Brass
- 22 - Antique nickel
- 23 - Antique Copper
- 24 - Satin Copper
- 27 - Matte Nickel
- 28 - ORB
- 29 - Polished Nickel

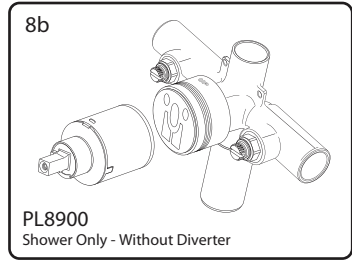
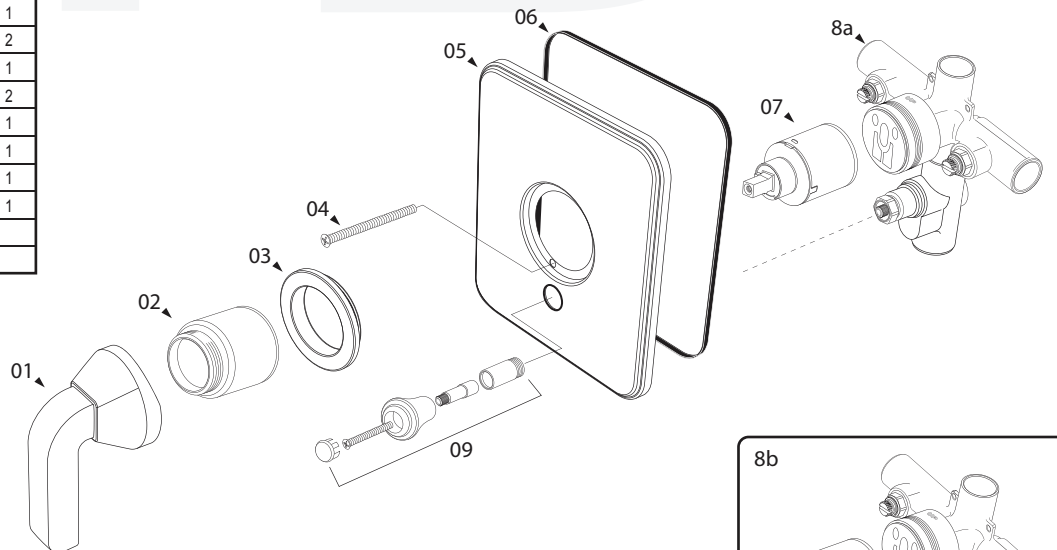
- 70 - Polished Brass (PVD)
- 71 - Polished Nickel (PVD)
- 72 - Satin Nickel (PVD)
- 73 - Satin Brass (PVD)

Please add finish code when placing order for parts with using following finish code table. For example J handle in Chrome will be BJ-01, BJ-12 for Satin Nickel.

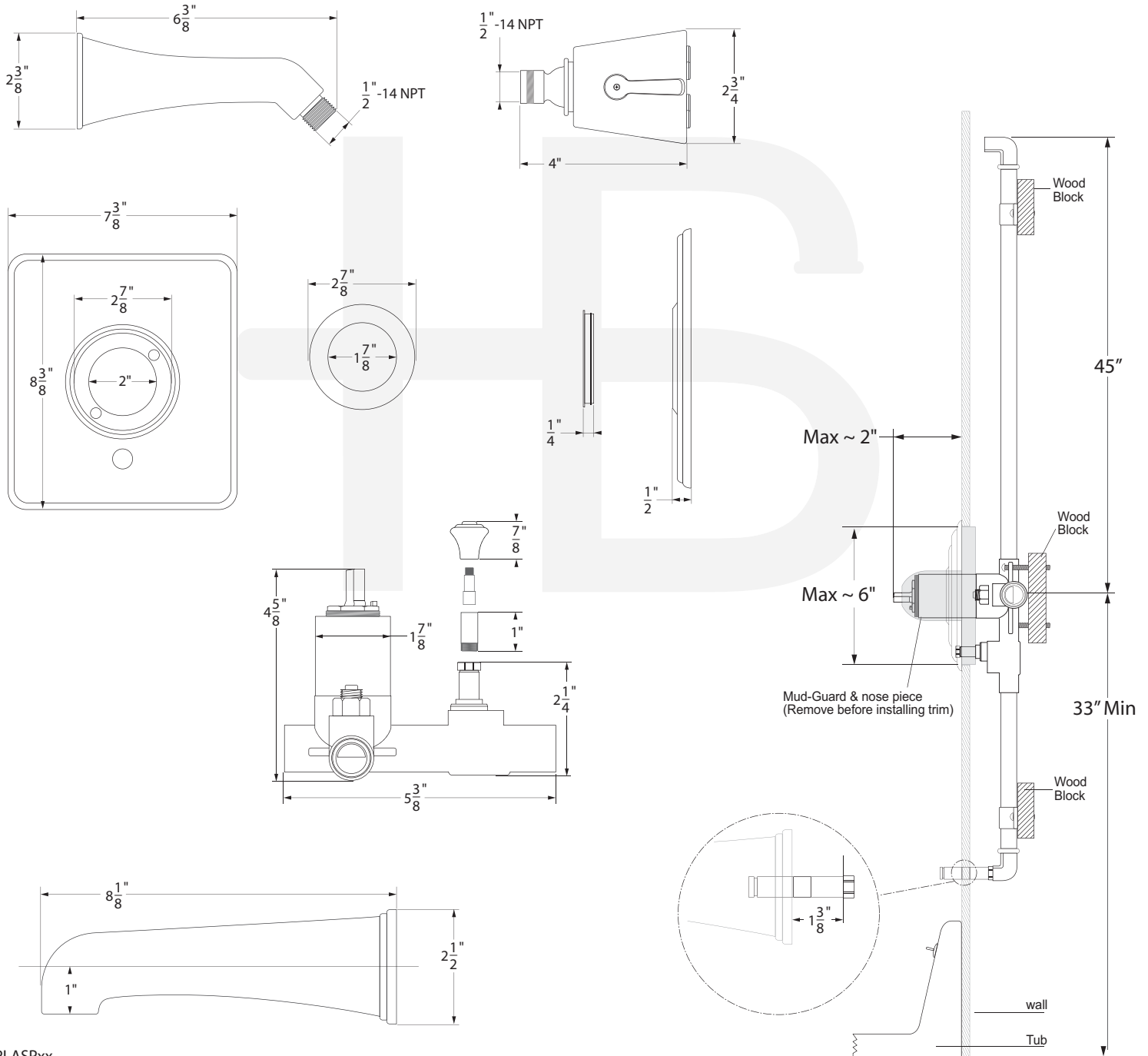
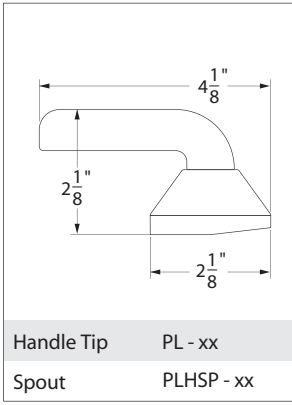


BREAK DOWN Component Parts List

#	PART NAME	QTY
1	HANDLE OPTION : DESIGNS ON TRIM STYLES	1
2	SLEEVE COST	1
3	FACE PLATE HOLE COVER	1
4	LONG SCREW	2
5	FACE PLATE	1
6	RUBBER RING	2
7	CARTRIDGE	1
8a	VALVE (TUB & SHOWER)	1
8b	VALVE (SHOWER ONLY)	1
9	METAL D SET DIVERTER	1



SPECIFIED MODEL - Handle Option



PLASPxx

Item Number	Type	Date
TR-TS01SL	Trim Kit	12/09/08