



# TRIM KIT - Tub & Shower

## Description

- Tub & shower trim kit
- Brass lever handles
- Brass power-jet shower head (square style)

## Standards

- ASME A112.18.1
- IAPMO / UPC & CUPC
- ADA Accessibility Guidelines for Buildings and Facilities - 4.27.4 Controls and Mechanisms (lever handle only)

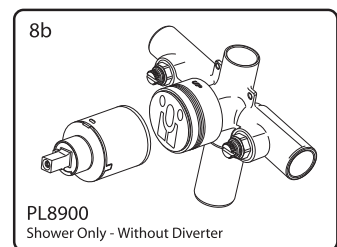
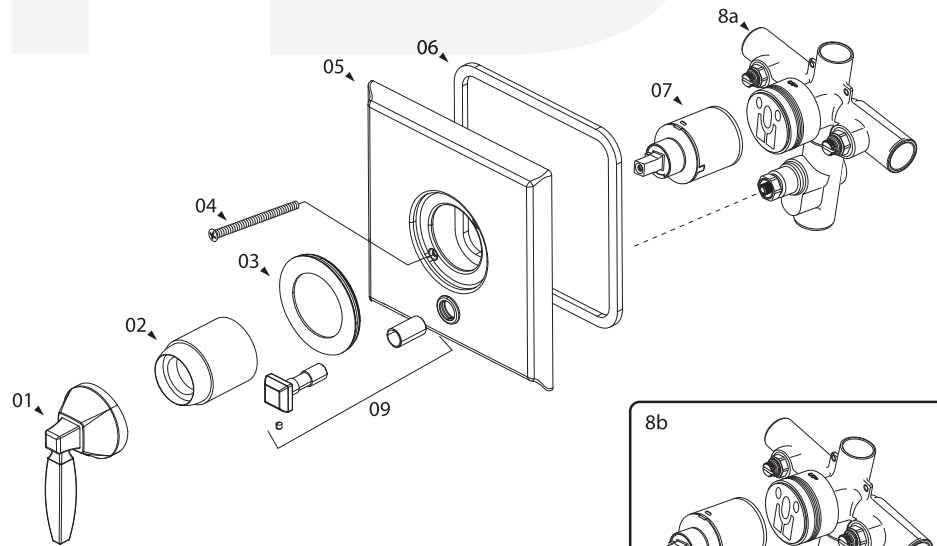
## Colors / Finishes

- 01 - Chrome
- 72 - PVD Satin Nickel
- xx - Special Finish (please reference the current Platinum catalog)



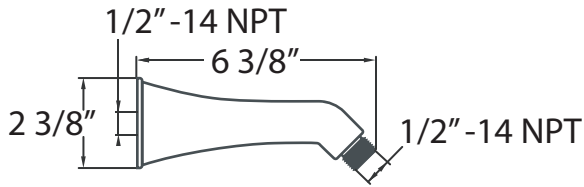
## BREAK DOWN Component Parts List

#	PART NAME	QTY
1	HANDLE	1
2	SLEEVE	1
3	FACE PLATE HOLE COVER	1
4	LONG SCREW	2
5	FACE PLATE	1
6	GASKET	2
7	CARTRIDGE	1
8a	VALVE (TUB & SHOWER)	1
8b	VALVE (SHOWER ONLY)	1
9	DIVERTER SET	1

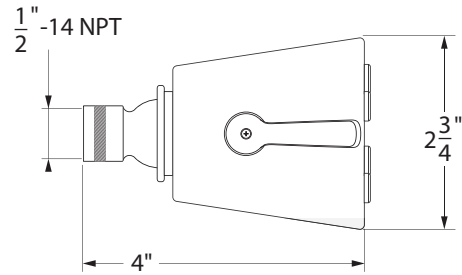


# SPECIFIED MODEL

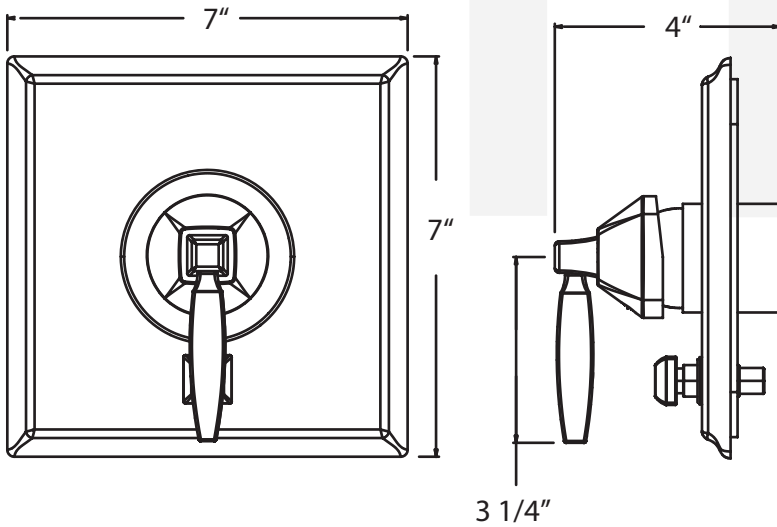
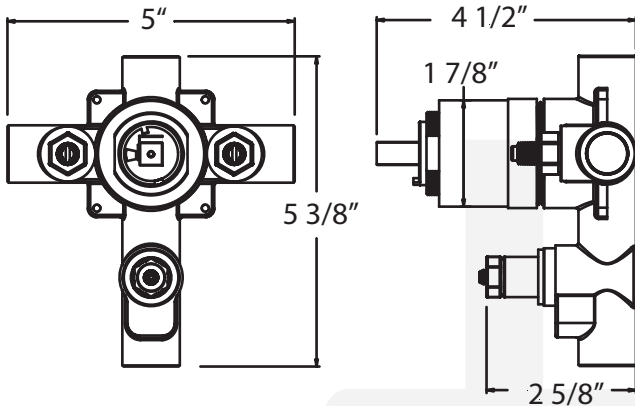
PLxxASA -SHOWER ARM



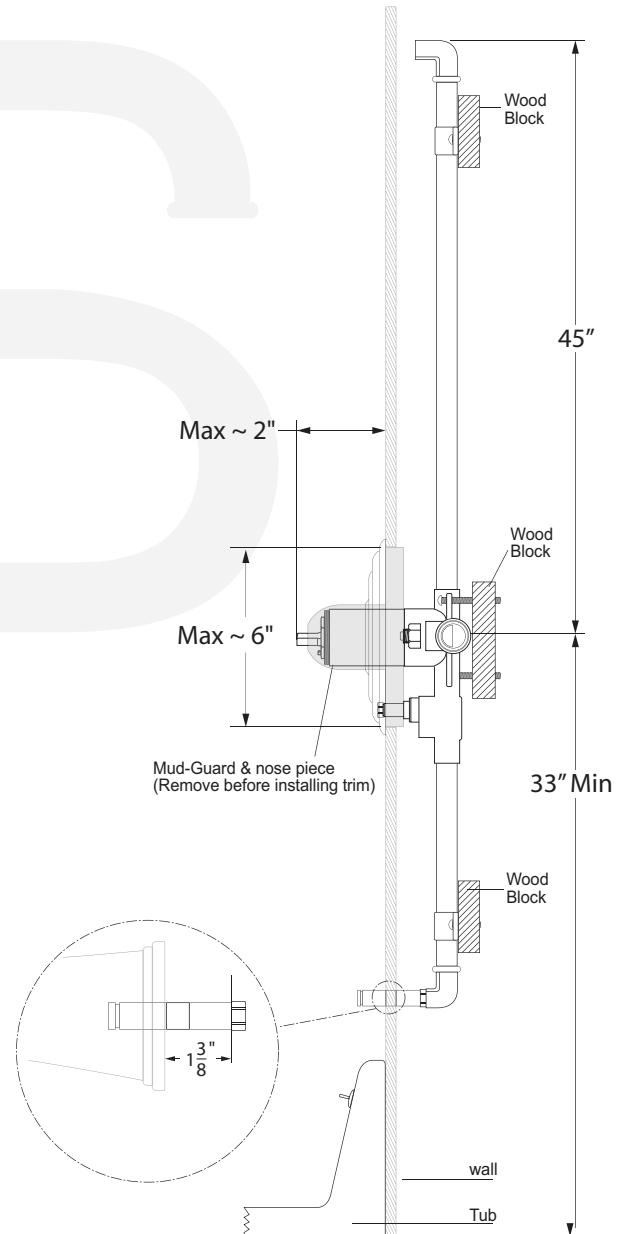
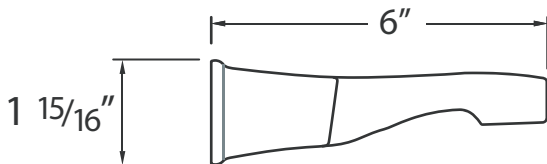
234-xx -SHOWER HEAD



PL8910-XX -SHOWER VALVE



PLISPXX -TUB SPOUT



Item Number	Type	Date
TR-TS01IL	Trim Kit	3/09/10