



TRIM KIT - Shower Only TR-SHxxZL

Description

- Brass lever handles
- Solid brass construction

Standards

- ASME A112.18.1
- Listed IAPMO / UPC & CUPC
- ADA Accessibility Guidelines for Buildings and Facilities - 4.27.4 Controls and Mechanisms (lever handle only)

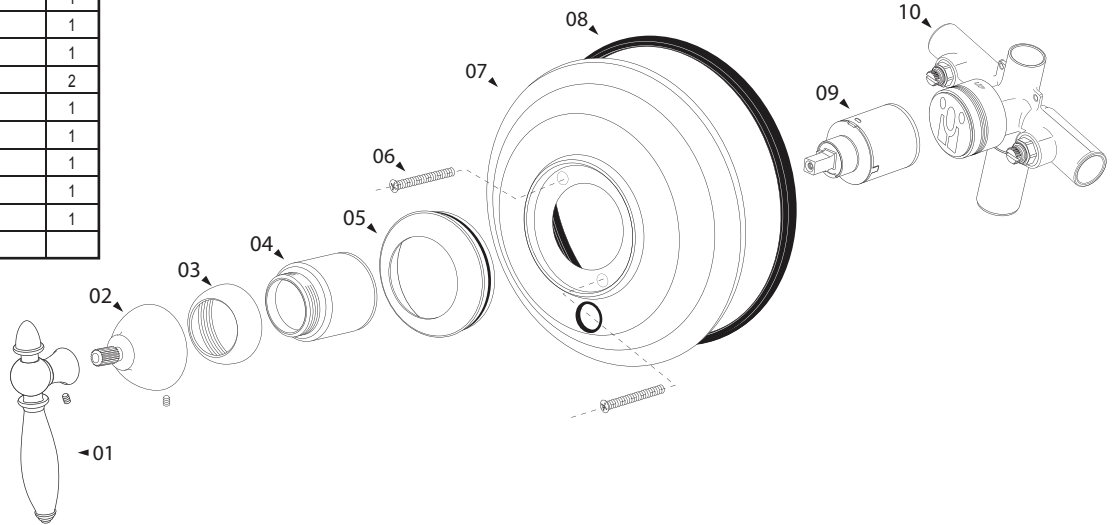
Colors / Finishes

- 01 - Chrome
- 12 - Satin Nickel
- xx - Special Finish - Please reference Platinum Catalog.

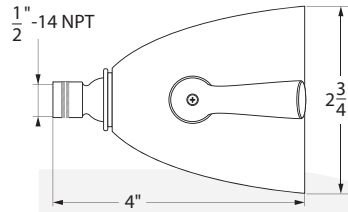
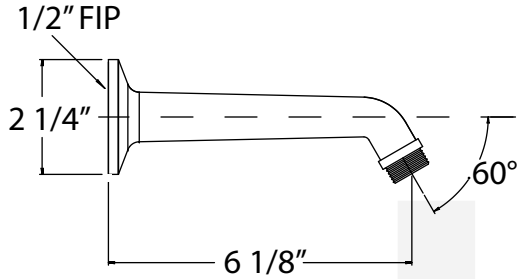
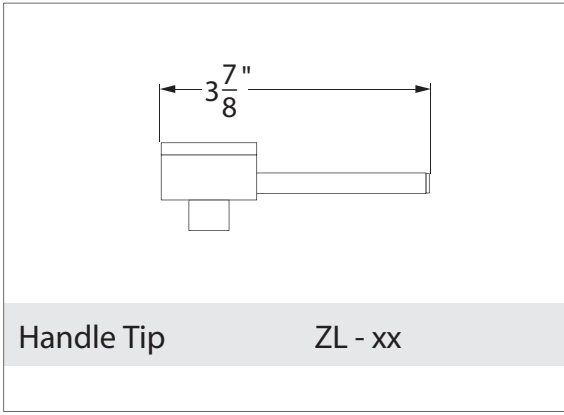


TYPICAL BREAK DOWN Component Parts List

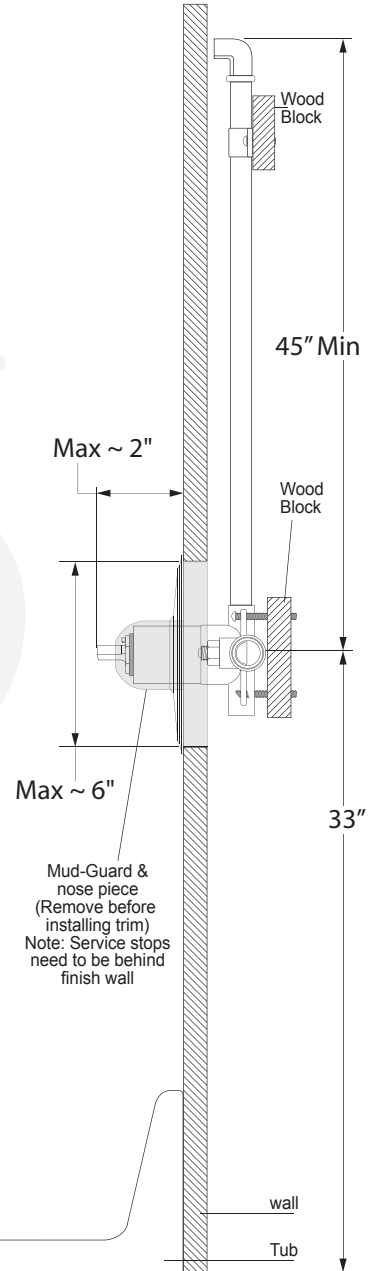
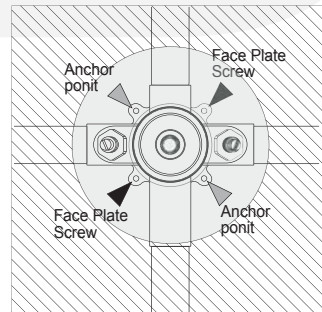
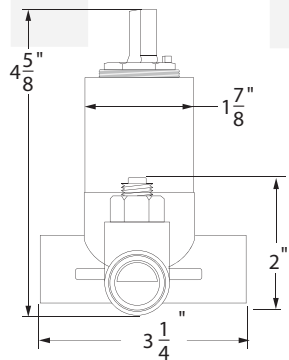
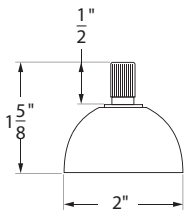
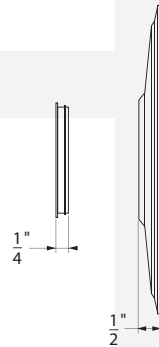
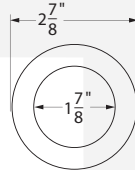
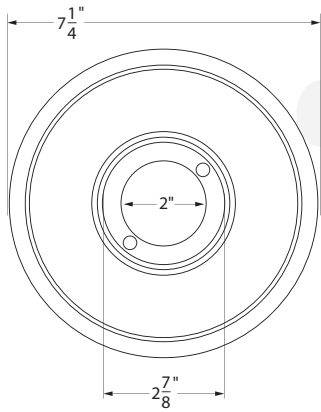
#	PART NAME	QTY
1	HANDLE OPTION : DESIGNS ON TRIM STYLES	1
2	ADAPTOR	1
3	LOCK CAP	1
4	SLEEVE COST	1
5	FACE PLATE HOLE COVER	1
6	LONG SCREW	2
7	FACE PLATE	1
8	RUBBER RING	1
9	CARTRIDGE	1
10	VALVE	1
		1



SPECIFIED MODEL



Face Plate



Item Number	Type	Date
TR-SHxxZL	Trim Kit	07/29/2005