



# TRIM KIT - Shower Only

## Description

- Shower trim kit
- Brass lever handles and face plate

## Standards

- ASME A112.18.1
- IAPMO / UPC & CUPC
- ADA Accessibility Guidelines for Buildings and Facilities - 4.27.4 Controls and Mechanisms (lever handle only)

## Colors / Finishes

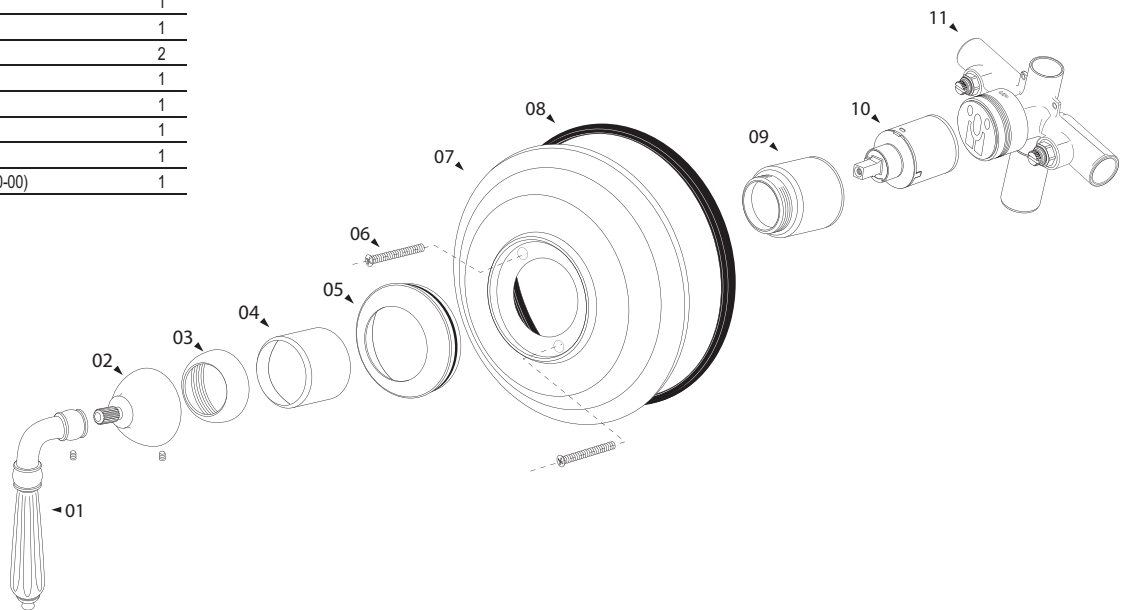
- 01 - Chrome
- 12 - Satin Nickel
- xx - Special finish



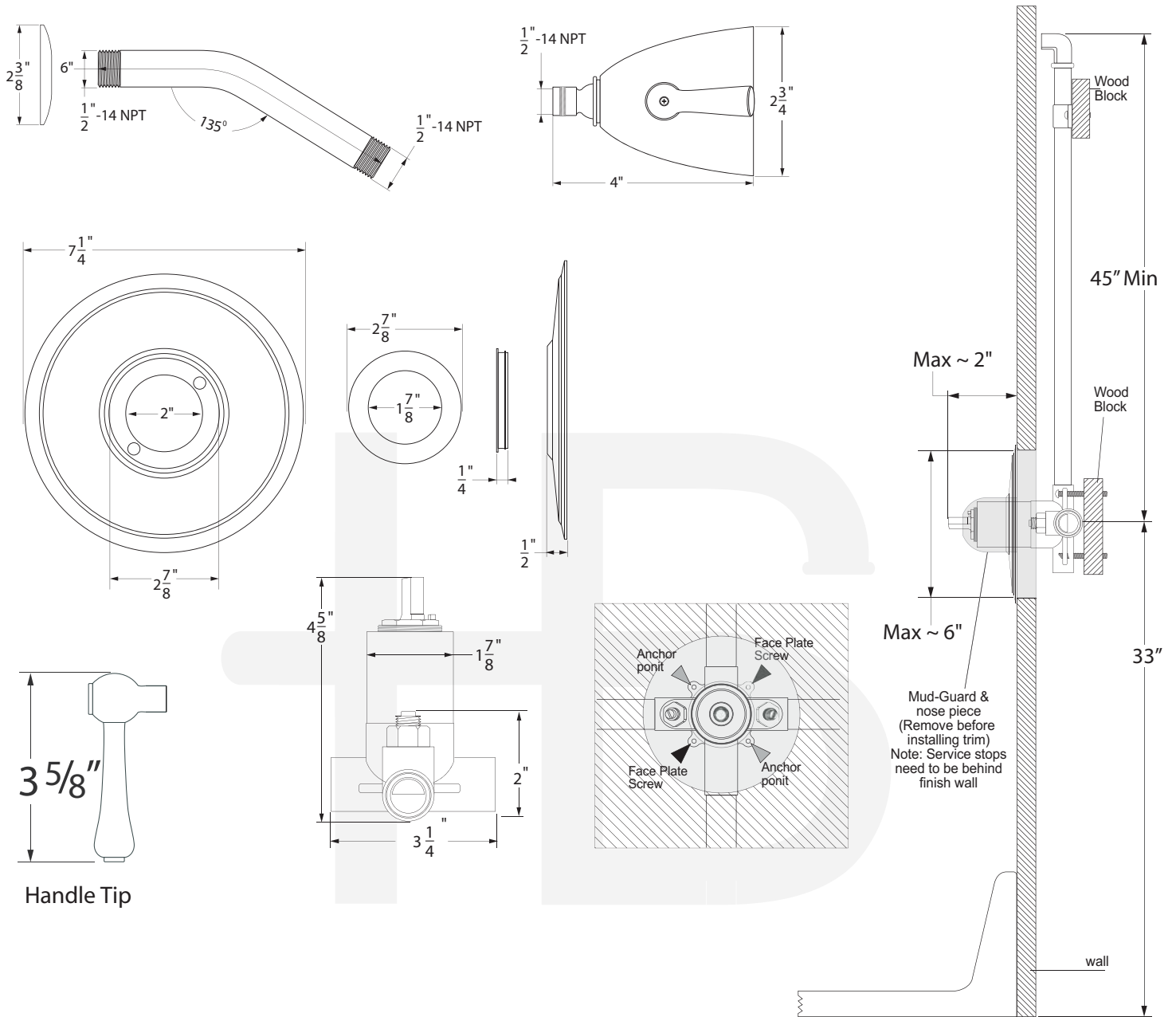
## BREAK DOWN

### Component Parts List - PL8900-00 (Shower Only without diverter)

#	PART NAME	QTY
1	HANDLE OPTION	1
2	ADAPTOR (PLxxHA-R / PLxxHA-F) <small>(Note : FAVARI, MONARCH ,INTRIGUE, ATLANTIS does not need adaptor)</small>	1
3	LOCK CAP	1
4	FINISHED SLEEVE	1
5	FACE PLATE HOLE COVER	1
6	LONG SCREW	2
7	FACE PLATE	1
8	RUBBER RING	1
9	SLEEVE	1
10	CARTRIDGE	1
11	SHOWER ONLY VALVE (PL8900-00)	1



# SPECIFIED MODEL



Item Number	Type	Date
TR-SHxxRL	Trim Kit	05/17/2011