



TRIM KIT - Shower Only

Description

- Shower trim kit
- Brass lever handles and face plate

Standards

- ASME A112.18.1
- Listed IAPMO / UPC & CUPC
- ADA Accessibility Guidelines for Buildings and Facilities - 4.27.4 Controls and Mechanisms (lever handle only)

Colors / Finishes

- | | |
|----------------------|----------------------------|
| 01 - Chrome | 70 - Polished Brass (PVD) |
| 12 - Satin Nickel | 71 - Polished Nickel (PVD) |
| 20 - Antique Bronze | 72 - Satin Nickel (PVD) |
| 21 - Antique Brass | 73 - Satin Brass (PVD) |
| 22 - Antique nickel | |
| 23 - Antique Copper | |
| 24 - Satin Copper | |
| 27 - Matte Nickel | |
| 28 - ORB | |
| 29 - Polished Nickel | |

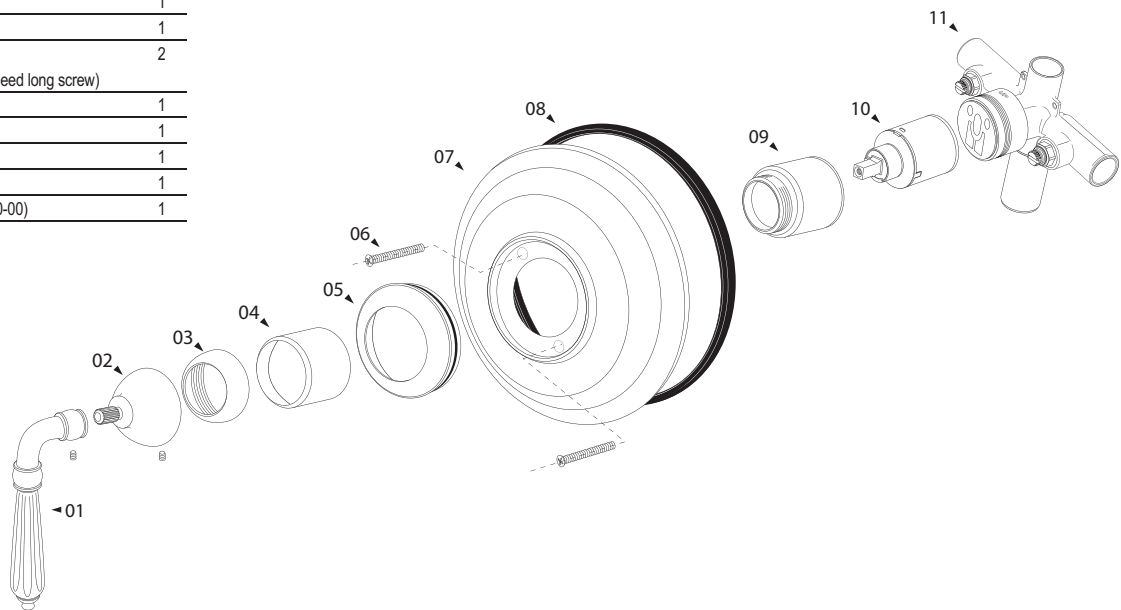
Please add finish code when placing order for parts with using following finish code table. For example J handle in Chrome will be BJ-01, BJ-12 for Satin Nickel.



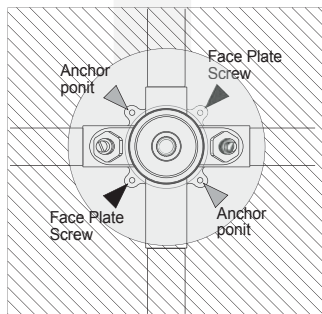
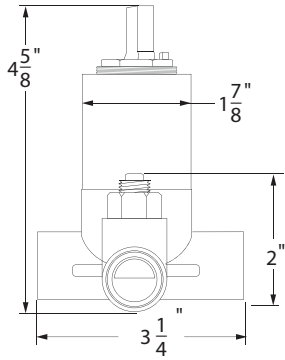
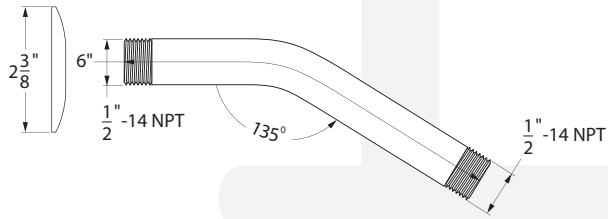
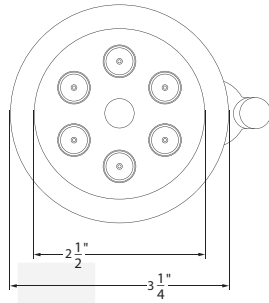
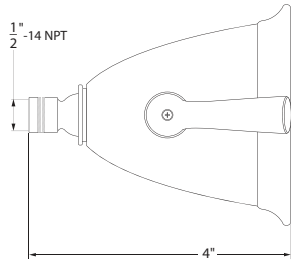
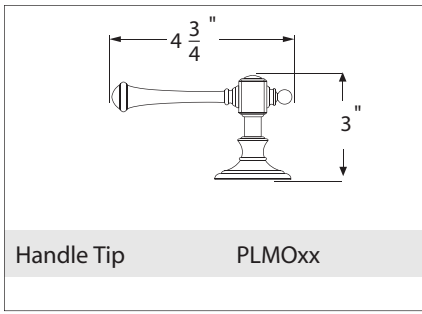
TYPICAL BREAK DOWN

Component Parts List - PL8900-00 (Shower Only without diverter)

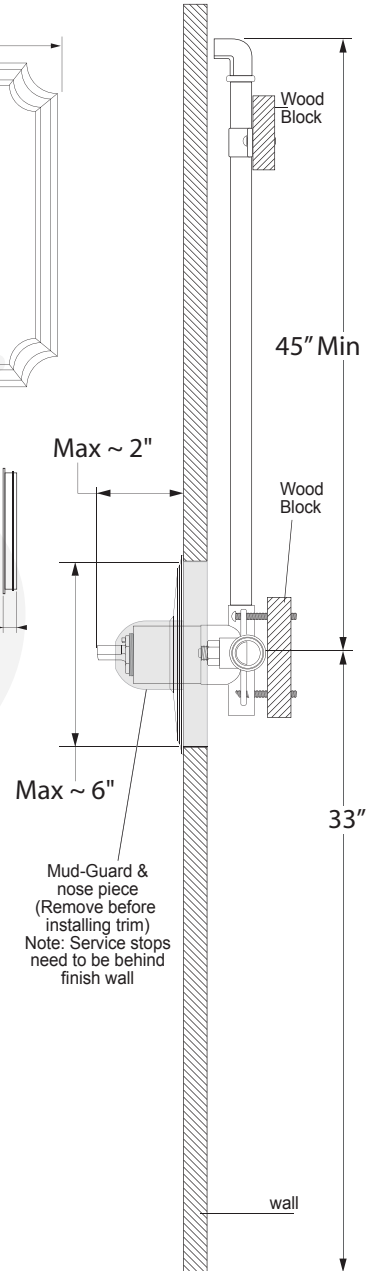
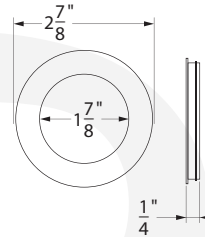
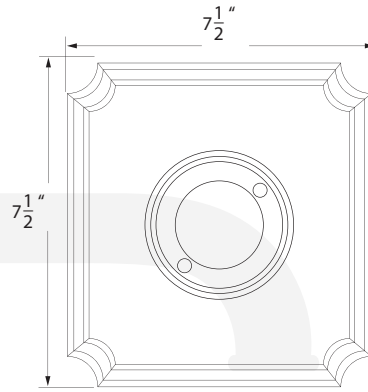
#	PART NAME	QTY
1	HANDLE OPTION : DESIGNS ON TRIM STYLES	1
2	ADAPTOR (PLxxHA-R / PLxxHA-F) (Note : FAVARI, MONARCH ,INTRIGUE, ATLANTIS does not need adaptor)	1
3	LOCK CAP (PL008-xx)	1
4	FINISHED SLEEVE (PL007-xx)	1
5	FACE PLATE HOLE COVER	1
6	LONG SCREW (FA53103-00) (Note : FAVARI Series does not need long screw)	2
7	FACE PLATE	1
8	RUBBER RING	1
9	RAW SLEEVE	1
10	CARTRIDGE (ST8000)	1
11	SHOWER ONLY VALVE (PL8900-00)	1



SPECIFIED MODEL



Face Plate PL9928-xx (Monarch)



Item Number	Type	Date
TR-SHxxNL	Trim Kit	01/08/10