



# TR-SHxxMI - McMillan Shower only

## Description

- Shower only trim kit.
- Lever handle.
- For use with PL8900-00 shower only valve

## Standards

- cUPC
- ADA Accessibility Guidelines for Buildings and Facilities - 4.27.4 Controls and Mechanisms (lever handle only)

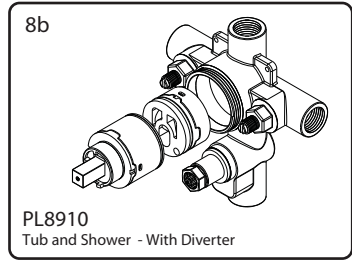
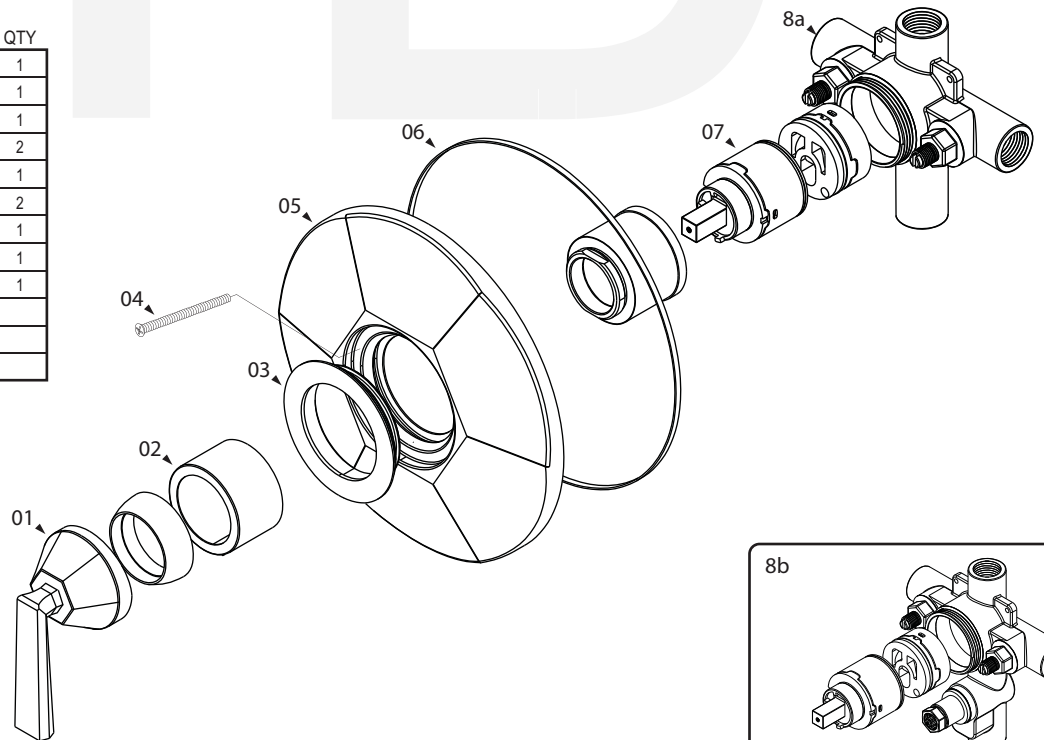
## Colors / Finishes

- 01 - Chrome
- 72 - Satin Nickel (PVD)
- xx - Reference the current Platinum catalog for special finishes.

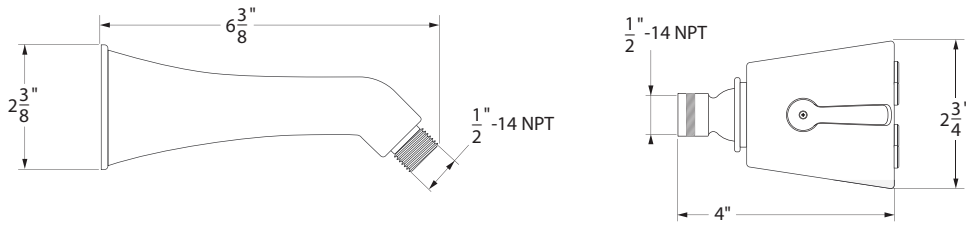


## BREAK DOWN Component Parts List

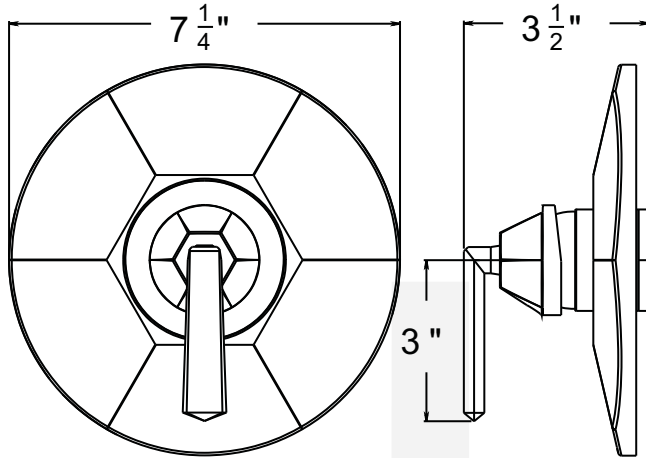
#	PART NAME	QTY
1	MM LEVER HANDLE	1
2	RETAINING SLEEVE	1
3	COVER RING	1
4	LONG SCREW	2
5	FACE PLATE	1
6	RUBBER RING	2
7	CARTRIDGE	1
8a	VALVE (SHOWER ONLY) - SOLD SEPARATELY	1
8b	VALVE (TUB & SHOWER) - SOLD SEPARATELY	1



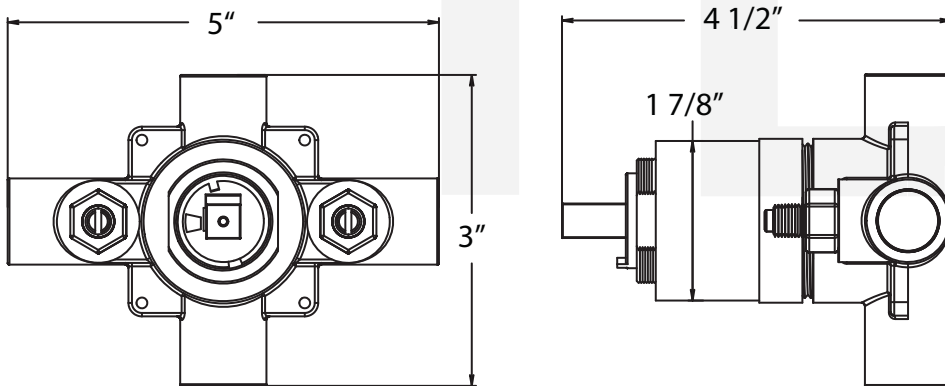
# SPECIFIED MODEL - TR-SHxxMI



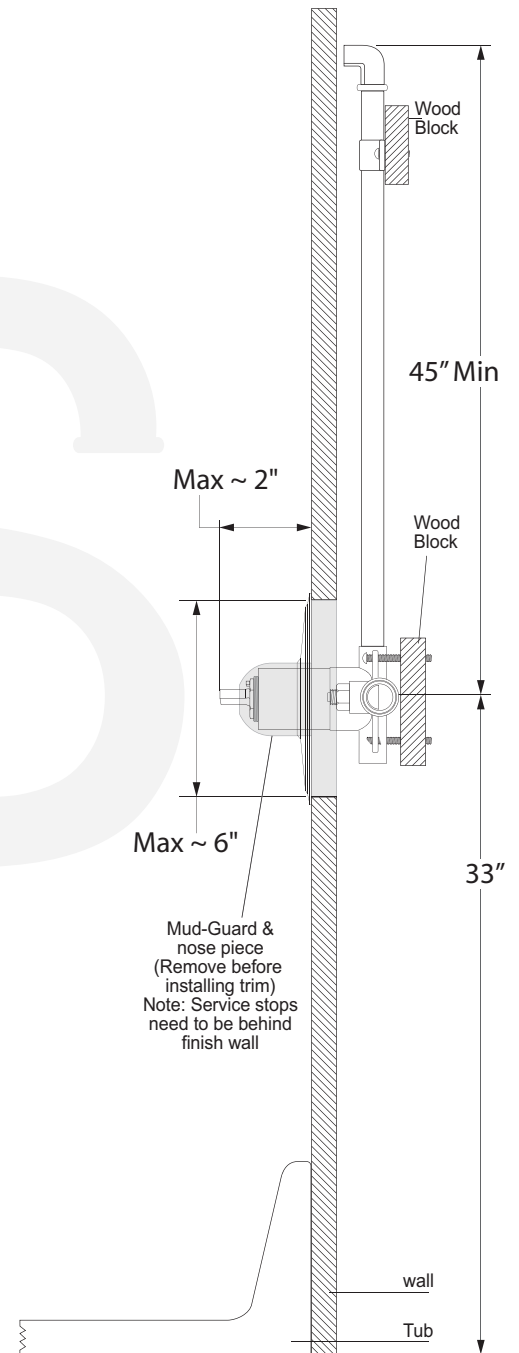
Shower arm and Shower head



Shower Only valve trim



PL8900-xx VALVE (SHOWER ONLY) - SOLD SEPARATELY



Recommended installation

Item Number	Type	Date
TR-SHxxMI	Trim Kit	8/30/11