



## SPECIFICATION / BREAK DOWN

### TR-SHxxIL - Shower Trim Kit

#### Description

- Shower only trim kit
- Square style power-jet shower head.
- Metal lever handle.



#### Standards

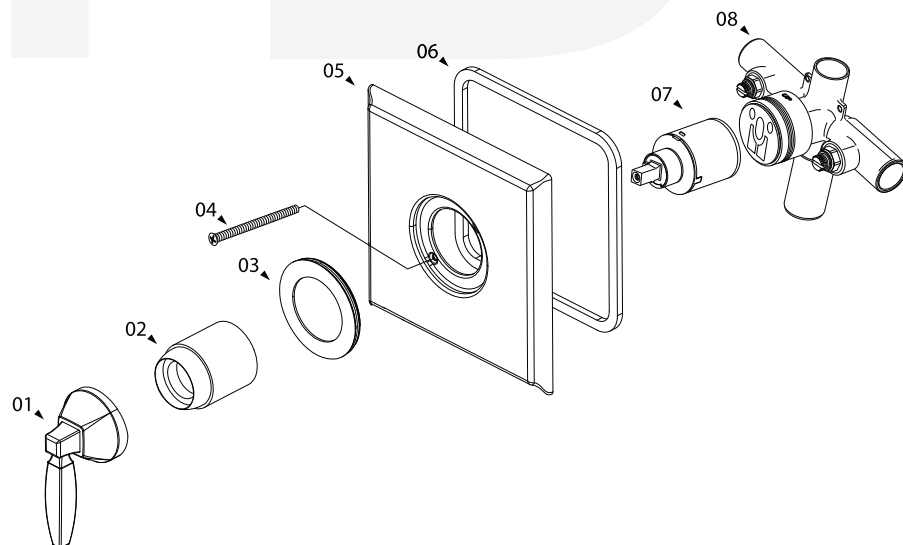
- ASME A112.18.1
- IAPMO / UPC & CUPC
- ADA Accessibility Guidelines for Buildings and Facilities - 4.27.4 Controls and Mechanisms (lever handle only)

#### Colors / Finishes

- 01 - Chrome
- 72 - PVD Satin Nickel
- xx - Special Finish (please reference the current Platinum catalog)

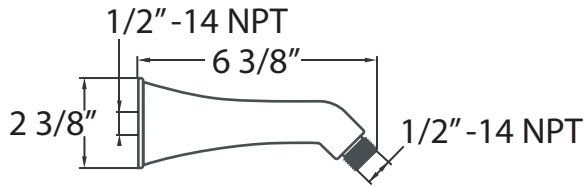
### BREAK DOWN Component Parts List

#	PART NAME	QTY
1	HANDLE	1
2	SLEEVE	1
3	FACE PLATE HOLE COVER	1
4	LONG SCREW	2
5	FACE PLATE	1
6	GASKET	1
7	CARTRIDGE	1
8	VALVE (SHOWER ONLY)	1

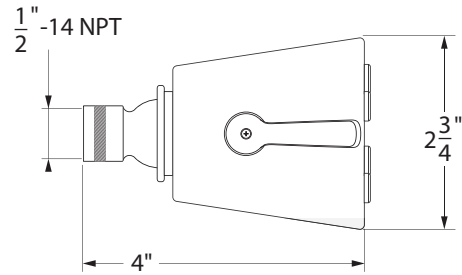


# SPECIFIED MODEL

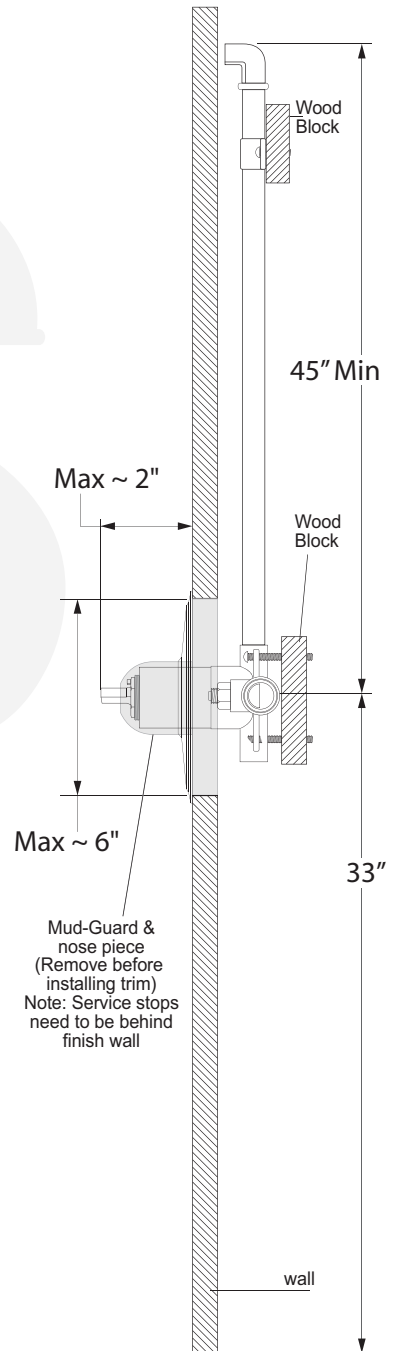
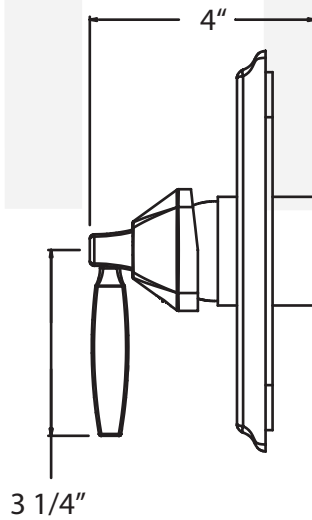
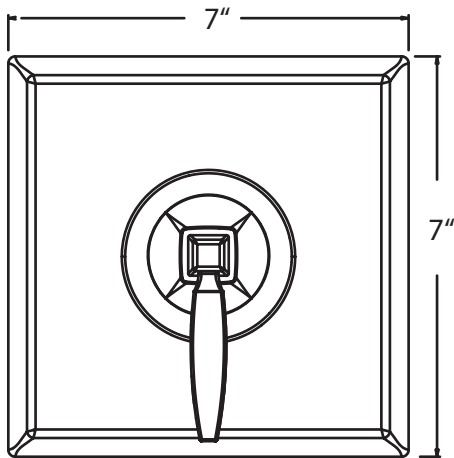
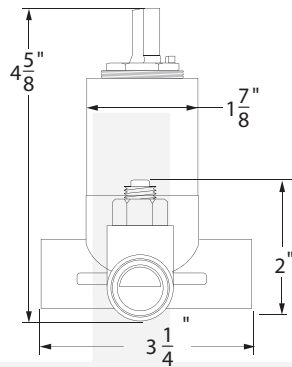
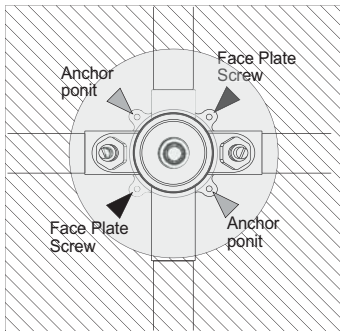
## PLxxASA -SHOWER ARM



## 234-xx -SHOWER HEAD



## PL8900-XX -SHOWER VALVE



Item Number	Type	Date
TR-SH01IL	Trim Kit	3/09/11