

SP6DSSTB

33.25" x 23.75" x 23.58" (H x W x D)

Built-in three-drawer stainless steel refrigerator with automatic defrost

Highlights:

Three ventilated doors glide open smoothly

Flexible design allows built-in or freestanding use

Perfectly sized to fit under counters and in tight 24 inch spaces

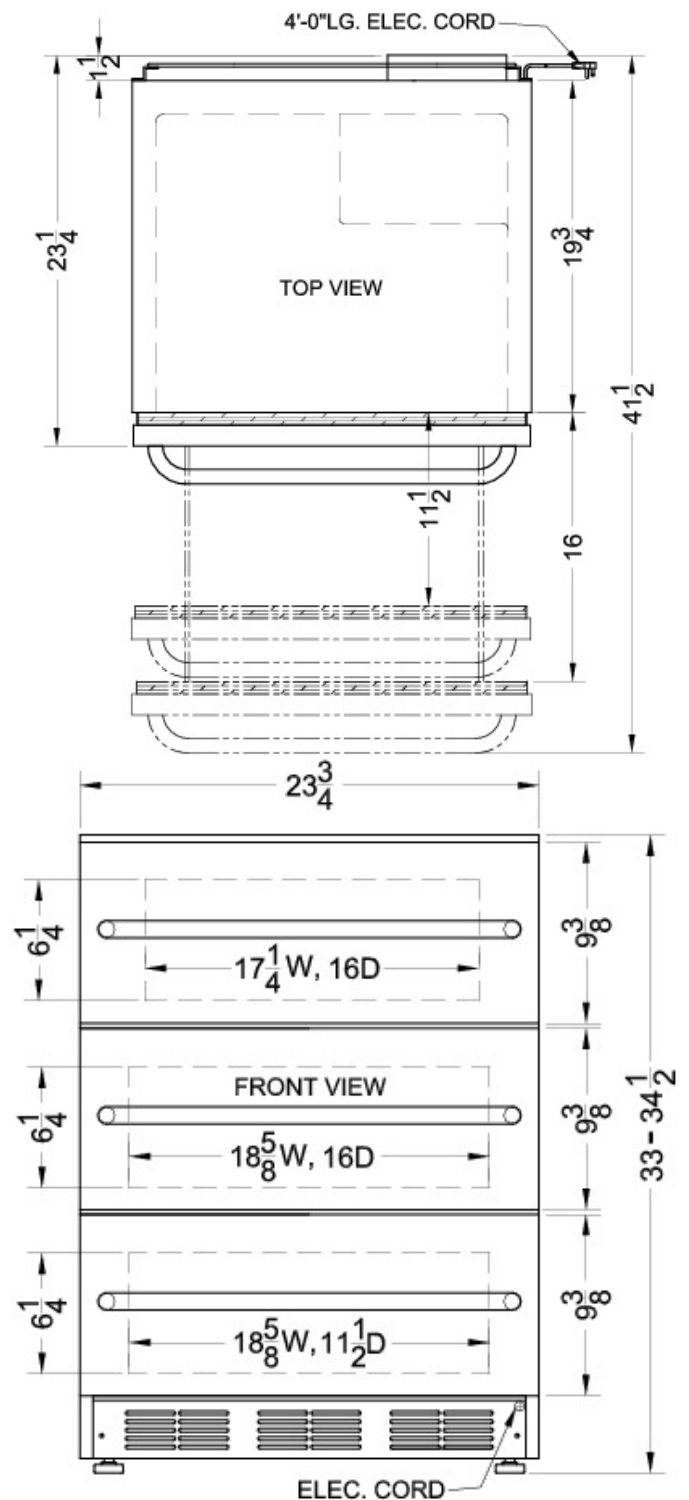
Stainless steel construction adds durable luxury to any setting



Built-in capable	Make the best use of space by installing your appliance under the counter and flush with other cabinets
Fully finished cabinet	Allows the refrigerator to be used freestanding
Stainless steel construction	Enhance any room with durable luxury
Automatic defrost	Reduced maintenance with auto defrost system
Slim undercounter dimensions	Less than 24 inches wide to fit tight spaces
Height adjustable	Four large leveling legs let you adjust unit height for the best undercounter fit
Three professional towel bar handles	Curved stainless steel handles add function and elegance, providing more room for a comfortable grip
Spring assisted rollers	Enjoy the gentle gliding motion that helps you open the drawer and keep it firmly closed
Adjustable thermostat	Manage the interior temperature with ease and accuracy
100% CFC free	Environmentally friendly design without ozone-damaging chemicals

Specifications:

Height	33.25 up to 34.5"
Width	23.75"
Depth	23.58"
Capacity	5.4 cu.ft.
Ext Depth with Handle	25.25"
Interior Height 1	27.75"
Interior Width 1	20.0"
Interior Depth 1	17.5"
Comp Step Height	7.0"
Comp Step Width	20.0"
Comp Step Depth	6.0"
Height Adjustable	true
Shipping Weight	140.0 lbs.
Canadian Electrical Safety	ULC
Amps	1.3
Energy Usage/Year	423.0 kWh/year
US Electrical Safety	UL
Drawers	true
Drawer Quantity	3
Defrost Type	Automatic
Depth with door at 90°	40.5"
Thermostat Type	Dial
Fan Type	Interior and Exterior
Low Side PSI	70.0
Refrigerant Type	R134a
High Side PSI	285.0
Level Legs Quantity	4
Freon Oz	1.8
Compressor Warranty	5 Years
Parts/Labor Warranty	1 Year



Summit Appliance Division, Felix Storch, Inc.
 770 Garrison Ave • Bronx, NY 10474
 Phone: 718-893-3900 • Fax: 718-842-3093
 Email: info@summitappliance.com