



# SCTHxxPK3 - Premium Thermostatic package

## Description

- Shower arm - (1506-xx)
- Brass Construction.
- Shower head - (138-Axx)
- 2.0 GPM ASME Compliant
- 1/2" IPS Conection
- Handle trim (2) - (JSCxx)
- Brass Construction.
- Stop valves (2) - (PL2000W)
- 3/4" Fittings
- Ceramic disc cartridge.
- Valve trim - (ML8950-xx)
- Brass lever handle
- Square forged brass face plate
- Thermostatic valve - (PL8950-00)
- Super high flow 3/4" Thermostatic valve body
- Complies w/ ASSE 1016 standard
- Flow Rate : 20 GPM
- Made in ITALY
- IAPMO listed and approved UPC
- Handshower (114-xx)
- Brass Construction.
- Dual check valve.
- 2.0 GPM ASME Compliant
- Slide Bar (SH100-xx)
- Brass swivel ball joint.
- Solid brass construction.
- Hose (940-xx)
- 59" Metal Hose.
- Spiral Construction.
- Cone nut with o-ring.
- Supply Elbow (973R-xx)
- 1/2" NPT Connection to wall.
- Standard 1/2" IPS hose connection.
- Solid Brass construction.

• SCTHxxPK3



## Standards

- Complies with IAPMO cUPC
- Complies with ASSE 1016
- ADA Accessibility Guidelines for Buildings and Facilities - 4.27.4 Controls and Mechanisms (lever handle only)

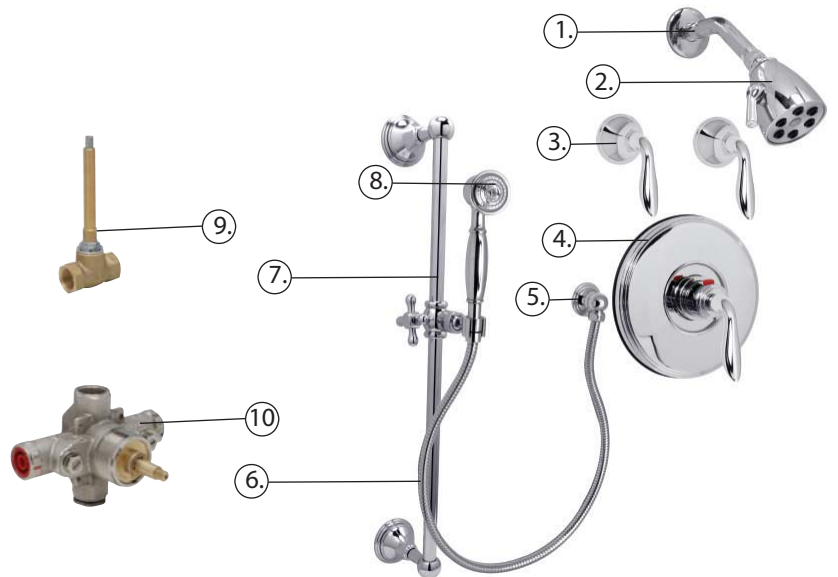


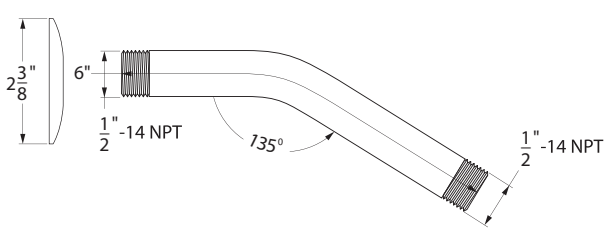
## Colors / Finishes

- 01 - Chrome
- 20 - Antique Bronze
- 72 - PVD Satin Nickel
- xx - Special Finish (Please reference the Platinum Catalog)

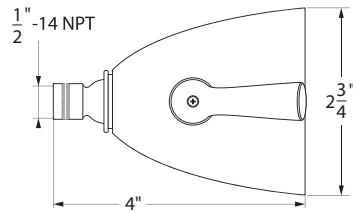
## BREAK DOWN Component Parts List

NO.	Part No	Qty
01	1506-XX	1
02	138-AXX	1
03	JSC-XX	2
04	ML8950-XX	1
05	973R-XX	1
06	940-XX	1
07	SH100-XX	1
08	114-XX	1
09	PL2000W	2
10	PL8950-00	1

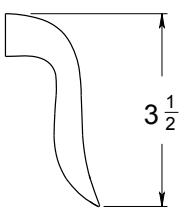




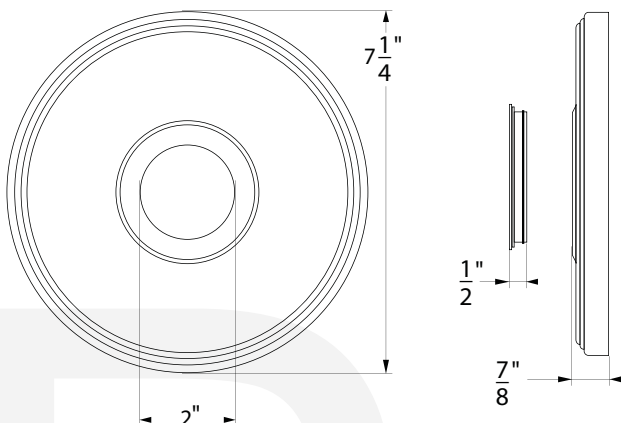
**Shower arm 1506-xx**



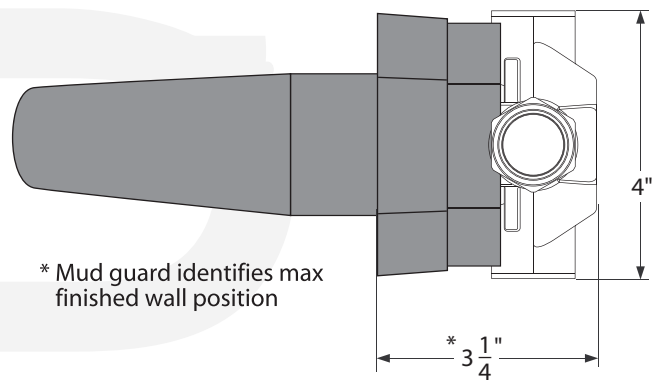
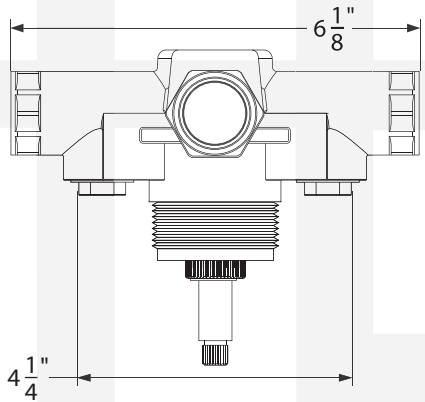
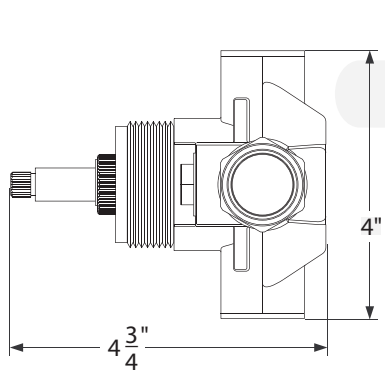
**Shower head 138-Axx**



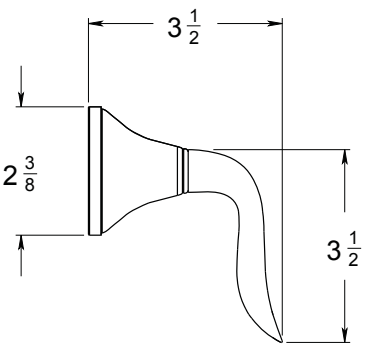
**SeaCrest Lever handle**



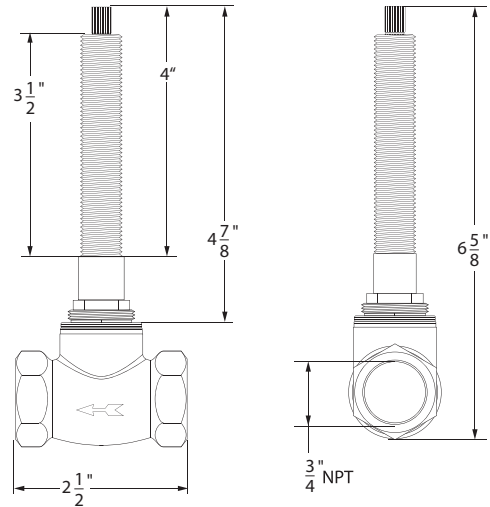
**Face Plate PL9962-xx**



**Thermostatic Valve PL8950**

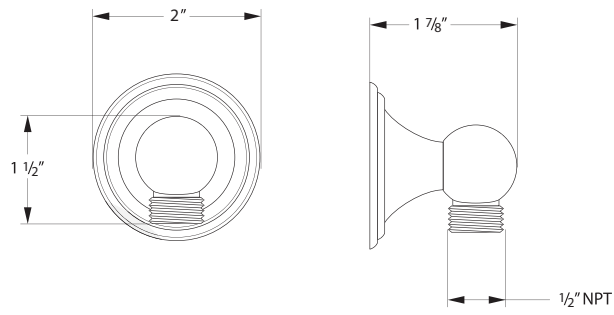


**Handle Trim JSCxx**

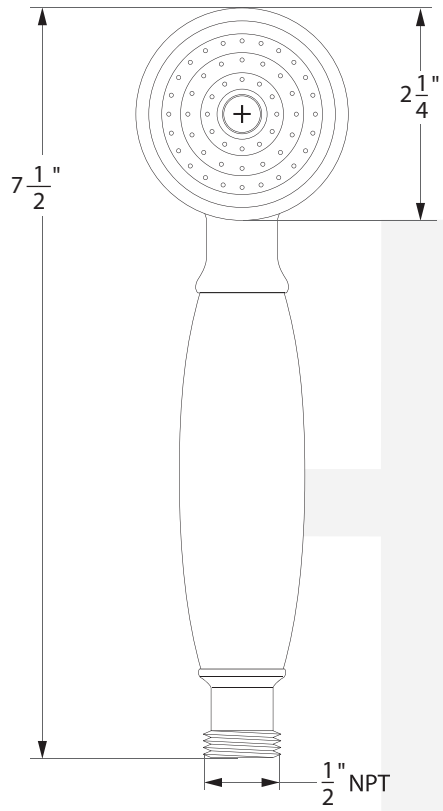


**Stop Valve PL2000W**

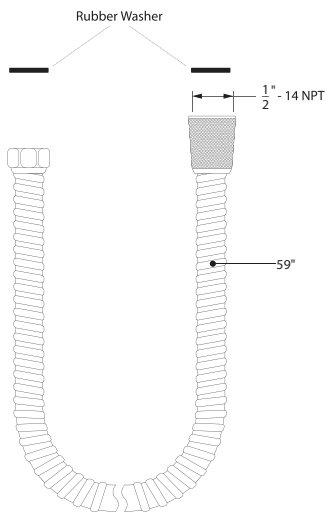
Item Number	Type	Date
SCTHxxPK3	Premium Thermostatic Package	4/18/2011



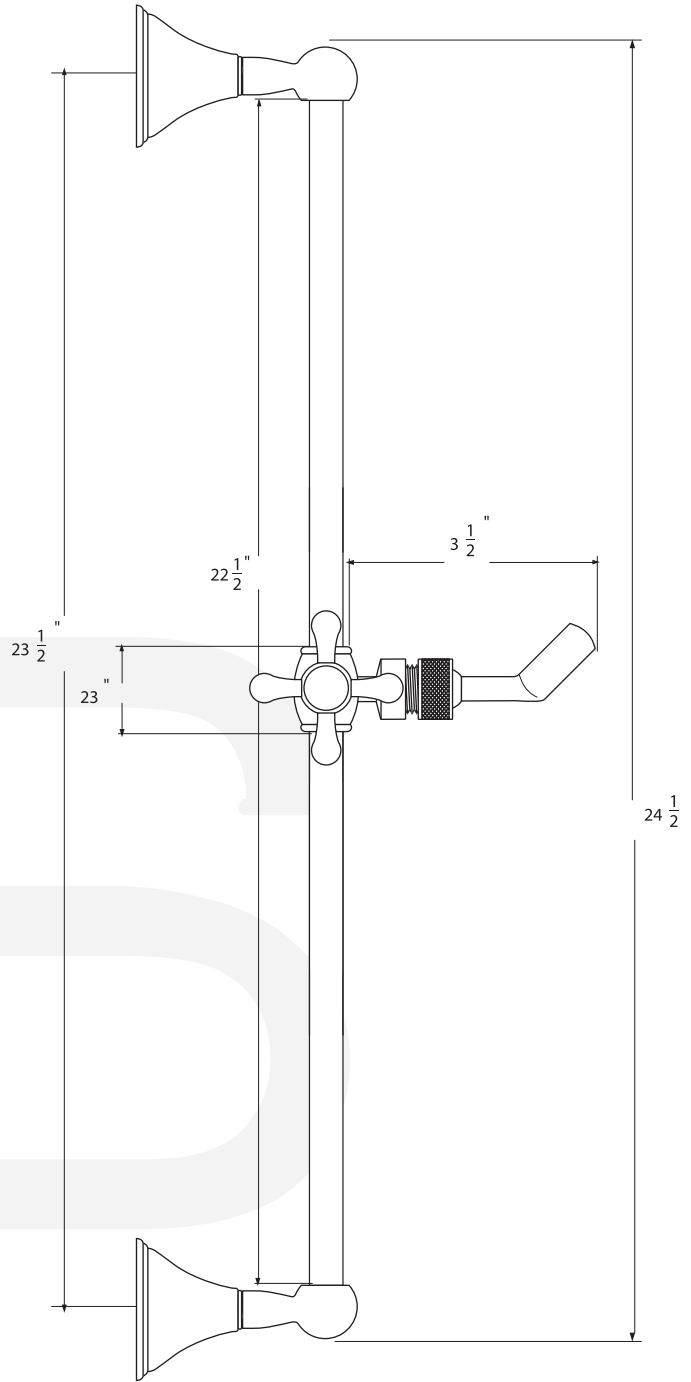
Supply Elbow 973R-xx



Handshower 114-XX



Hose 940-XX



Slide Bar SH100-xx

Item Number	Type	Date
SCTHxxPK3	Premium Thermostatic Package	4/18/2011