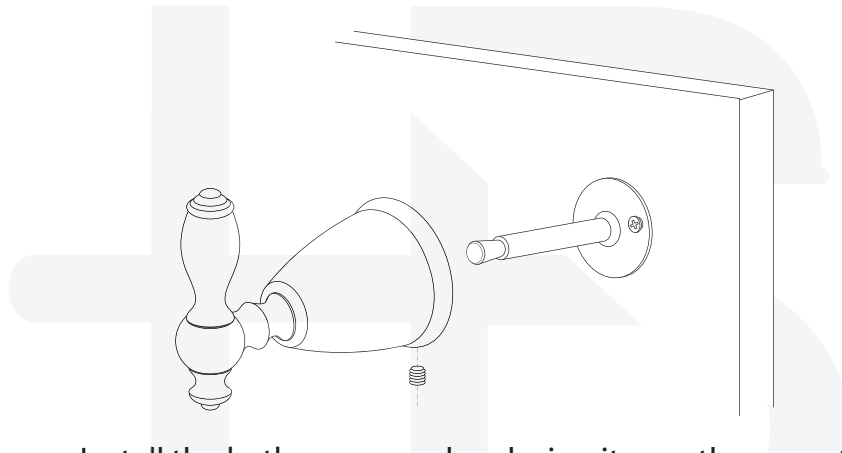


SCBAxxPH

Description

- Paper Holder
- Easy to install bracket assembly
- All brass construction
- Available in Chrome, Satin Nickel, Antique Bronze and all Huntington Brass special finishes.



Install the bath accessory by placing it over the mounting plate. From underneath tighten the lock screw with a hex wrench. Make sure that the bath accessory does not move and or wiggle back and forth. If it does remove it from the mounting plate and repeat the step. Make sure the escutcheon base is touching the wall.