

SBC490

51.38" x 23.63" x 24.88" (H x W x D)

Freestanding commercial beer dispenser in black with complete tap kit

Highlights:

Accepts half, quarter, and mini kegs

Enhanced cooling system ensures quality cooling for commercial venues

Meets UL Commercial Standard 471

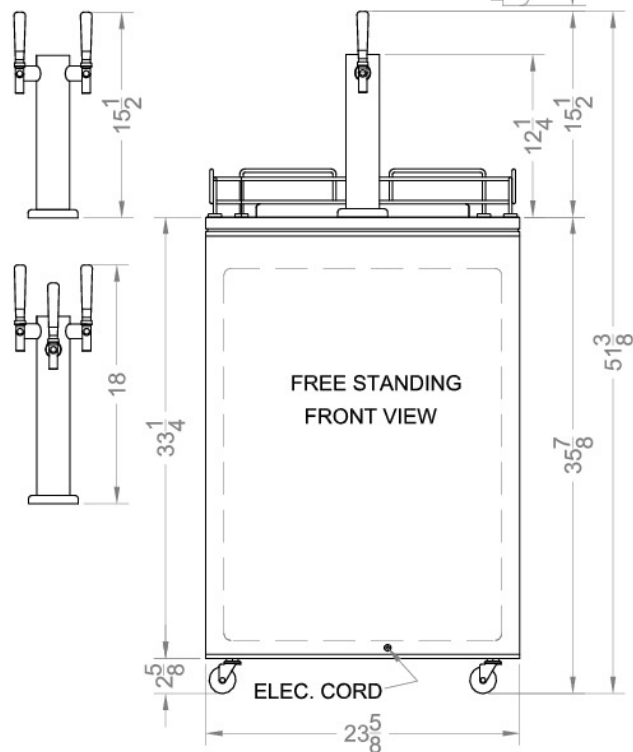
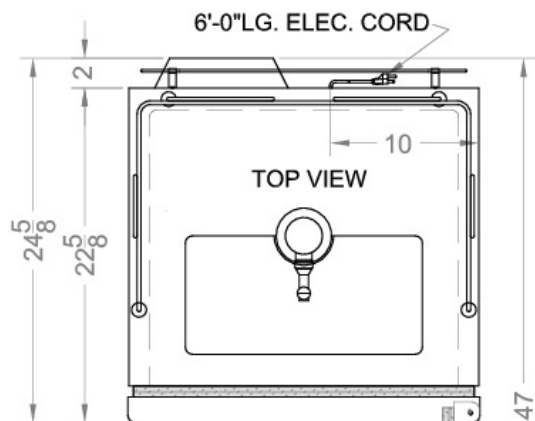
Ships with sturdy casters to install for optional portability



Full-sized	Large interior accepts half, quarter, and mini kegs
Fully finished black cabinet	Allows the beer dispenser to be used freestanding
KIT 490 included	Includes a 5lb. CO2 tank and regulator, draft arm, Sankey American tap, connection hardware, and cleaning kit
Automatic defrost	Reduced user maintenance with auto defrost operation
Adjustable thermostat	Control the interior temperature with ease and accuracy
Casters included (ships unassembled)	To make the beer dispenser portable, install this sturdy set of casters to the base of the unit
Top guard rail (ships unassembled)	Install this silver rail on top to reduce spills and neaten service
100% CFC free	Environmentally friendly design without ozone-damaging chemicals

Specifications:

Height	51.38"
Width	23.63"
Depth	24.88"
Capacity	6.4 cu.ft.
Interior Height 1	29.0"
Interior Width 1	21.25"
Interior Depth 1	18.75"
Shipping Weight	152.0 lbs.
Voltage/Frequency	115 V AC/60 Hz
US Electrical Safety	UL
Canadian Electrical Safety	ULC
Amps	1.7
Reversible	No
Door Swing	RHD
Shelf Quantity	2
Shelf Type	Wire
Wheel Quantity	4
Defrost Type	Automatic
Depth with door at 90°	47.0"
Thermostat Type	Dial
Freon Oz	2.1
Low Side PSI	88.0
Refrigerant Type	R134a
High Side PSI	280.0
Parts/Labor Warranty	1 Year
Compressor Warranty	5 Years



Summit Appliance Division, Felix Storch, Inc.
 770 Garrison Ave • Bronx, NY 10474
 Phone: 718-893-3900 • Fax: 718-842-3093
 Email: info@summitappliance.com