



REMINGTON - Wide Spread Faucet RMWSxxRBX / RMWSxxRAL

Description

- 8" wide spread faucet
- Ceramic disc cartridges
- Brass cross handles
- Solid brass construction
- 1/2" S.S. braided hose
- Brass popup

Standards

- ASME A112.18.1 Compliant
- Listed IAPMO / UPC & CUPC
- ADA Accessibility Guidelines for Buildings and Facilities - 4.27.4 Controls and Mechanisms (lever handle only)
- NSF - 61-9 tested and approved
- CSA B125.1 Compliant and listed



Colors / FinishES

- | | |
|---------------------|----------------------------|
| 01 - Chrome | 29 - Polished Nickel |
| 12 - Satin Nickel | 70 - Polished Brass (PVD) |
| 20 - Antique Bronze | 71 - Polished Nickel (PVD) |
| 21 - Antique Brass | 72 - Satin Nickel (PVD) |
| 22 - Antique nickel | 73 - Satin Brass (PVD) |
| 23 - Antique Copper | |
| 24 - Satin Copper | |
| 27 - Matte Nickel | |
| 28 - ORB | |

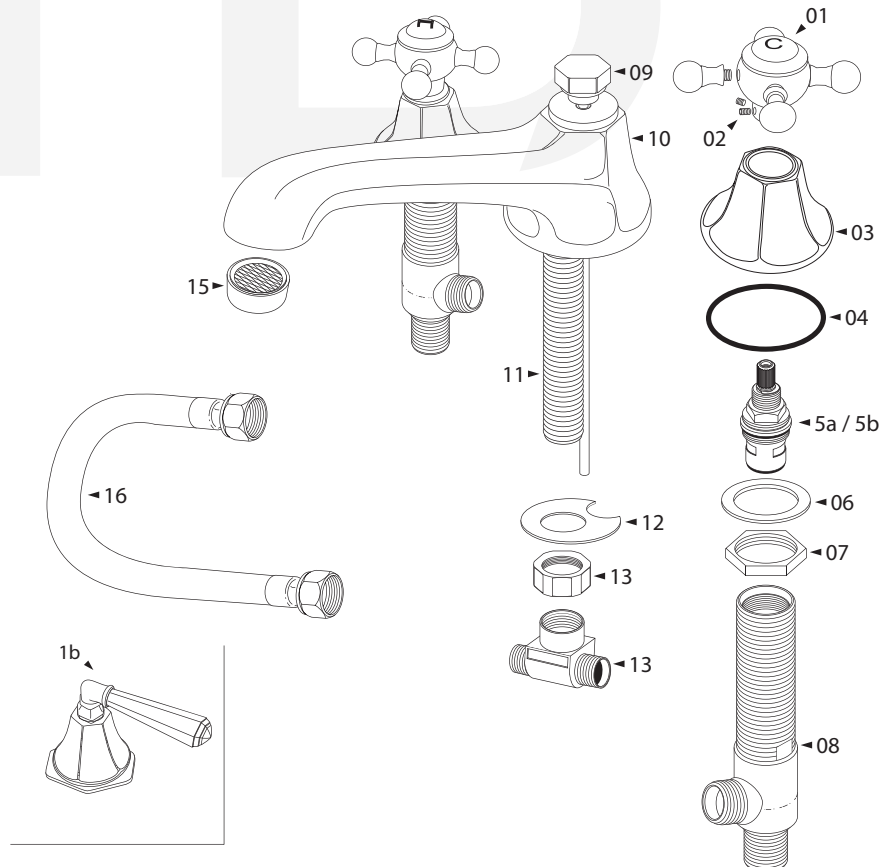
Please add finish code when placing order for parts with using following finish code table. For example J handle in Chrome will be BJ-01, BJ-12 for Satin Nickel.

Special Handle & Escutcheon Option

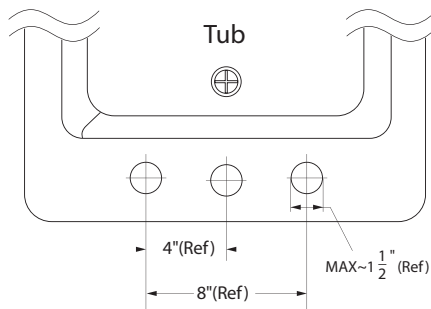
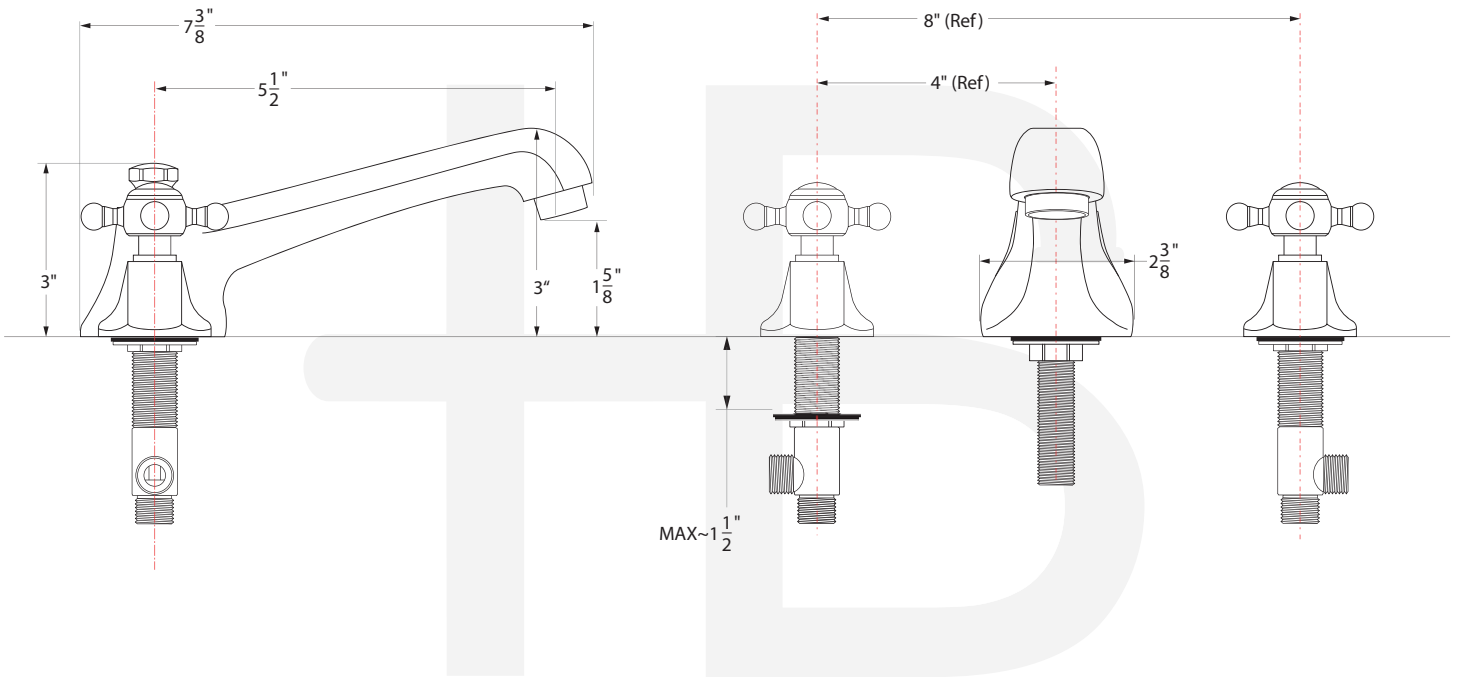
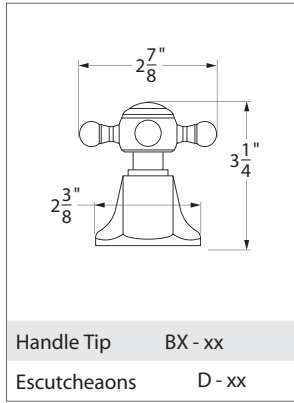
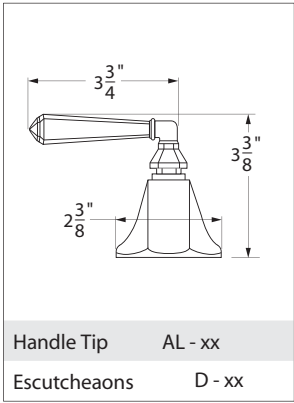
RAL / RBX

BREAK DOWN Component Parts List

#	PART NAME	QTY
1a	CROSS HANDLE	2
1b	LEVER HANDLE	2
2	ESCUTCHEON	2
3	FLANGE	2
4	RUBBER RING	2
5a	CARTRIDGE (COLD)	1
5b	CARTRIDGE (HOT)	1
6	WASHER	2
7	LOCK NUT	2
8	VALVE BODY	1
9	POP-UP SET	1
10	SPOUT	1
11	QUICK CONNECT SHANK	1
12	WASHER	1
13	LOCK NUT	1
14	T-CONNECTOR	1
15	AERATOR	1
16	HOSE	2



SPECIFIED MODEL - Handle Option



Item Number	Type	Date
RMWS	Wide Spread	07/29/2005