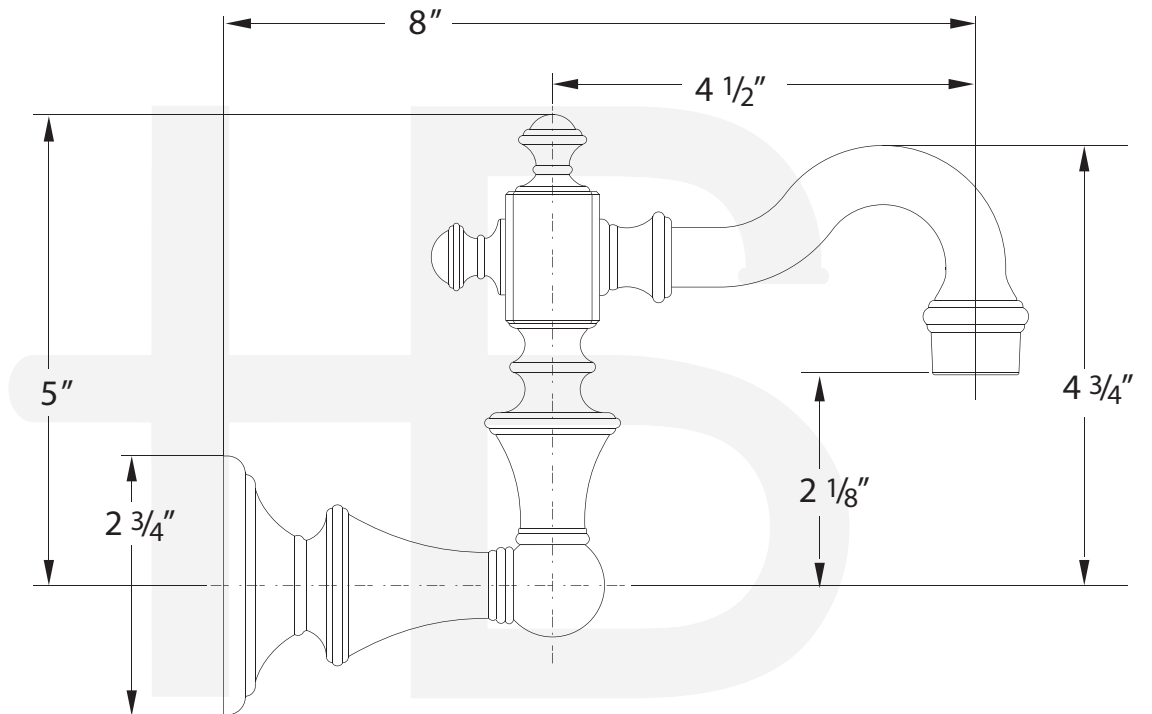


PLMSPxx



Item Number	Type	Version	Date
PLMSPxx	Tub spout		3-11-09