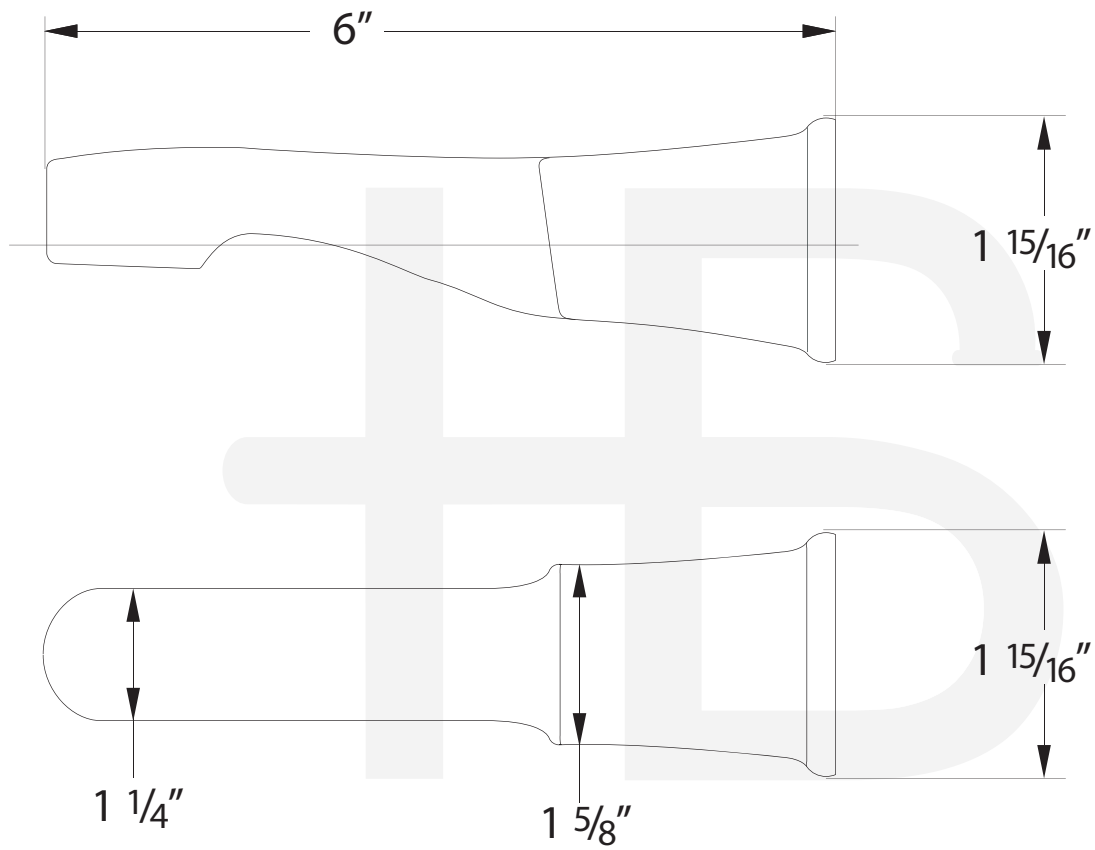


PLISPxx



Item Number	Type	Version	Date
PLISPxx	Tub spout		3-11-09