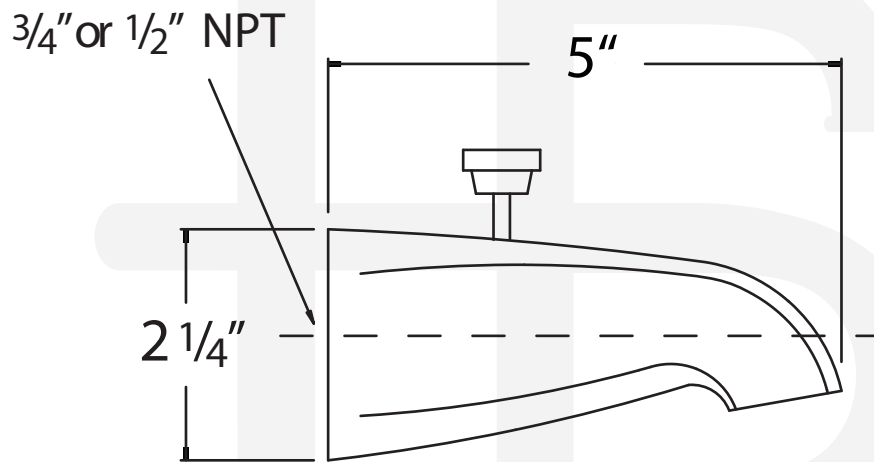




- Solid brass diverter tub spout
- 4 1/2" reach
- 3/4" NPT rear threads w/ 1/2" NPT adaptor
- \* Available in all Huntington Brass special finishes



Item Number	Type	Version	Date
PLDSPxx	TUB SPOUT		7-15-2011