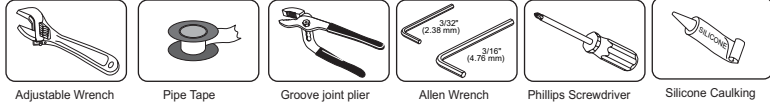


PLBF2H Faucet Installations

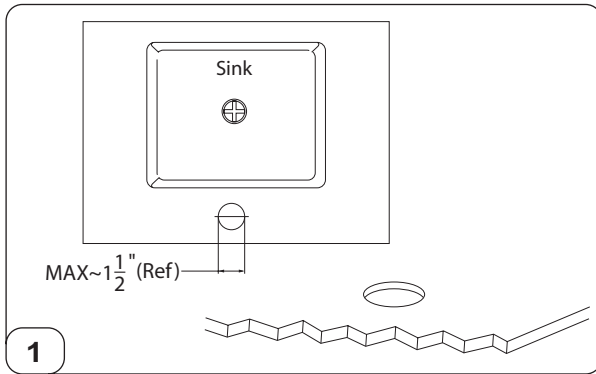
Tools You Will Need



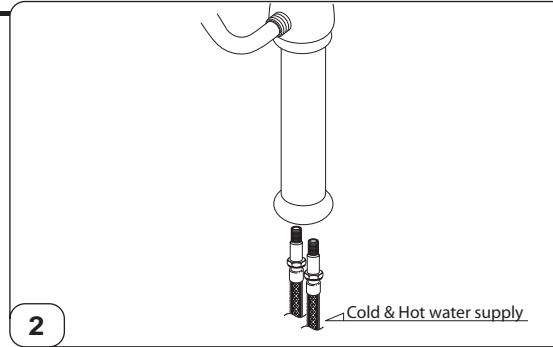
Adjustable Wrench Pipe Tape Groove joint plier Allen Wrench (2.38 mm) (3/32") (4.76 mm) (3/16") Phillips Screwdriver Silicone Caulking

Before beginning installation:

- Before drilling any holes in granite counter top make sure that the measurements of the hole are the correct distance for the reach of the spout.
- Make sure that the positioning of the faucet is in the desired place.
- Check the thickness of the entire counter top surface. If the surface is too thick then some of the wood underneath may have to be cut away so that the faucet can be mounted
- HB recommends cleaning the finish of your HB faucet with only soap and warm water. The use of any abrasive or chemical substances will void the finish warranty. HB also recommends that you periodically use regular car wax to protect and polish the finish of your HB faucet.

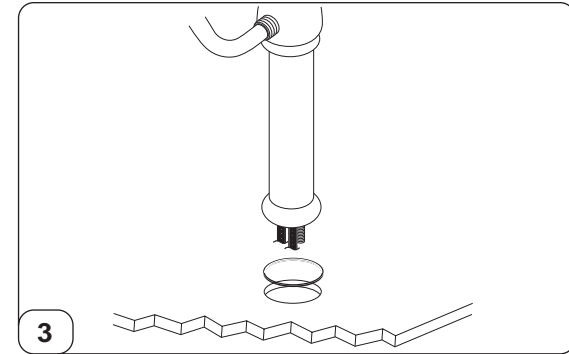


1 Before proceeding with the installation make sure that the holes that have been drilled in the counter surface are approx. 1.5". If the counter top or sink comes with pre-made holes confirm that the size of the holes are suitable for this HB product. It is possible that the faucet set can be installed on a surface with holes larger than 1.5" however HB recommends this size for the most secure installation. If there are any questions you can contact HB's customer service dept. (For PLBF2 only one hole is needed)

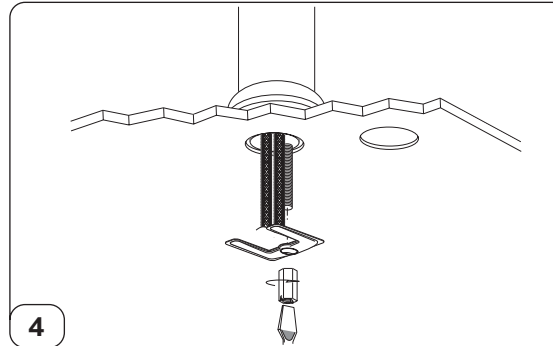


Installing the faucet body:

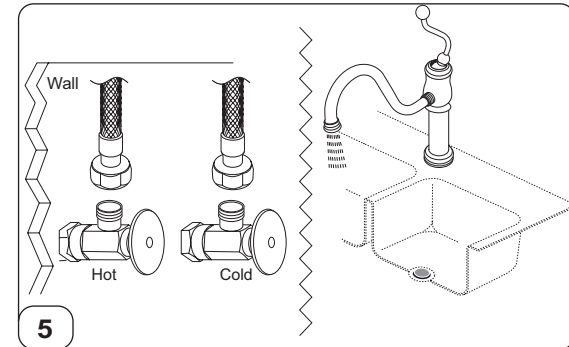
First make sure that the hot and cold supply flex hoses are installed into the valve body from underneath if not done so already. HB ships this faucet with these hoses pre-installed. If there are any issues here contact the distributor from which you purchased the faucet



3 Screw the base flange on to the bottom of the faucet body. Then line up the rubber washer on the sink surface so that it is centered around the hole. Next, Insert both flexible hoses and mounting bolt through the hole lining the flange up with the rubber washer. The base flange should completely cover the hole in the counter top surface.



4 Installing the Lock Nut. - From Underneath the sink, Place the large U-bracket over the long fixed Brass Bolt. Feed all the hoses through the opening in the large U-bracket.



5 Finally, connect the hot and cold water supply lines from the angle stops to the supply inlet hoses. Turn on the water supply and flush the system. To flush the lines first remove the aerator of the faucet, let the water run for a few minutes and replace the aerator. Check for leaks.