



# BAR - Single Handle Bar PLBF2

## Description

- Single hole bar faucet
- Ceramic disc cartridges
- Brass lever handles
- Solid brass construction

## Standards

- ASME A112.18.1 Compliant
- Listed IAPMO / cUPC
- ADA Accessibility Guidelines for Buildings and Facilities - 4.27.4 Controls and Mechanisms (lever handle only)
- NSF - 61-9 tested and approved
- CSA B125.1 Compliant and listed
- California AB 1953 Compliant

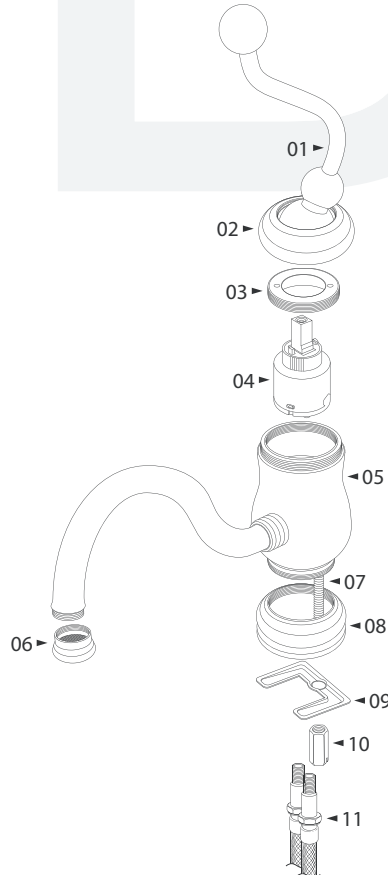


## Colors / FinishES

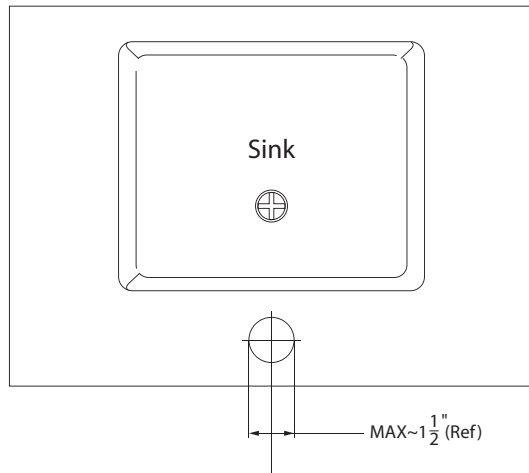
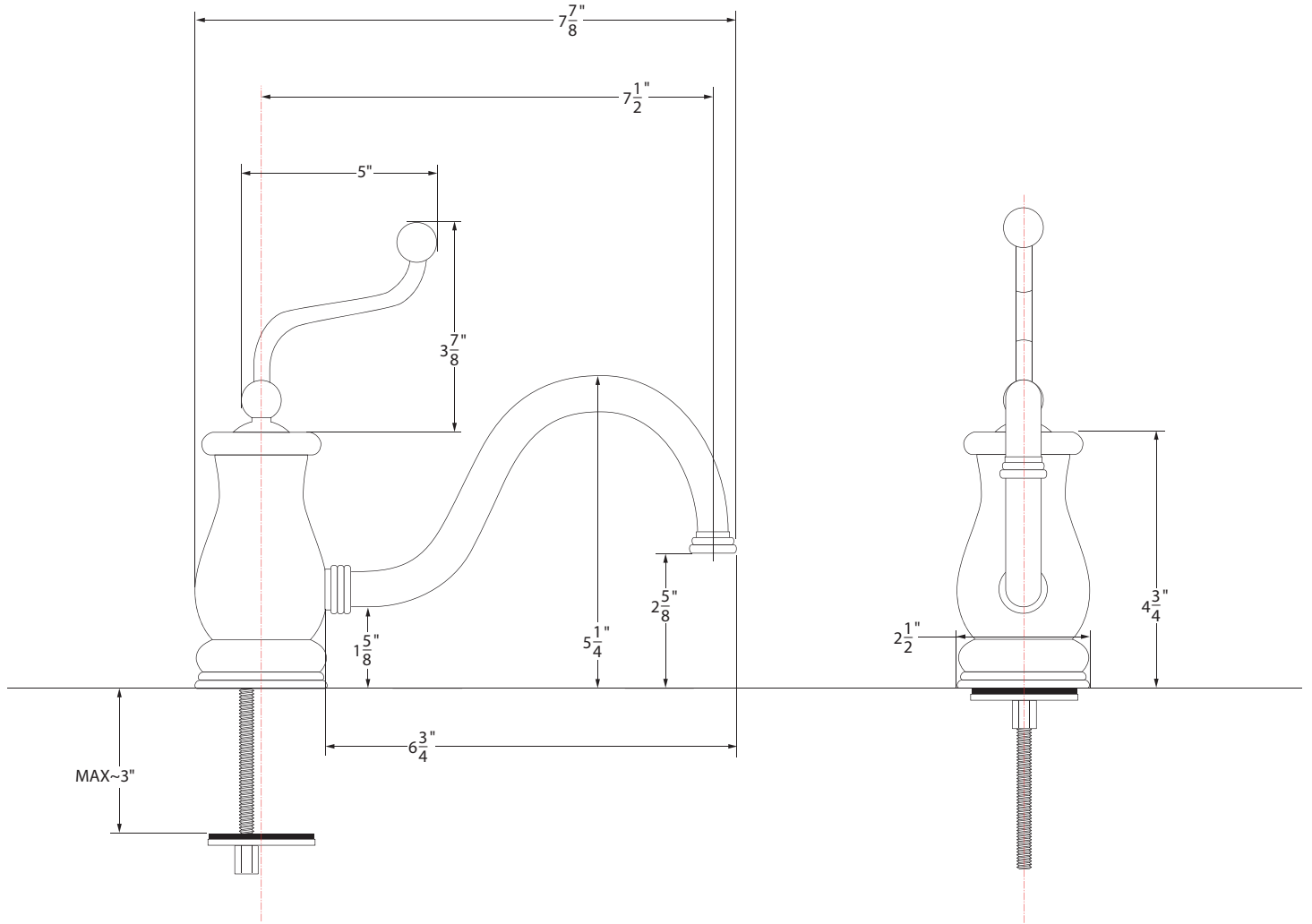
- 01 - Chrome
- 12 - Satin Nickel
- 20 - Antique Bronze
- 21 - Antique Brass
- 22 - Antique nickel
- 23 - Antique Copper
- 24 - Satin Copper
- 27 - Matte Nickel
- 28 - ORB
- 29 - Polished Nickel
- 70 - Polished Brass (PVD)
- 71 - Polished Nickel (PVD)
- 72 - Satin Nickel (PVD)
- 73 - Satin Brass (PVD)

## BREAK DOWN Component Parts List

#	PART NAME	QTY
1	HANDLE TIP	1
2	BONNET	1
3	CARTRIDGE RETAINING NUT	1
4	CERAMIC DISC CARTRIDGE	1
5	HUB AND SPOUT	1
6	AERATOR ASSEMBLY	1
7	SCREW RODS	2
8	FLANGE STEP	1
9	MOUNTING BRACKET	1
10	HEX LLOCK NUTS	2
11	HOT AND COLD SUPPLY LINES	1 ea.



# SPECIFICATION



Item Number	Type	Date
PLBF2	Kitchen	07/29/2005