



BAR - Single Handle Bar PLBF

Description

- Single hole bar faucet
- Ceramic disc cartridges
- Brass lever handles
- Solid brass construction

Standards

- ASME A112.18.1 Compliant
- Listed IAPMO / UPC & CUPC
- ADA Accessibility Guidelines for Buildings and Facilities - 4.27.4 Controls and Mechanisms (lever handle only)
- NSF - 61-9 tested and approved
- CSA B125.1 Compliant and listed



Colors / FinishES

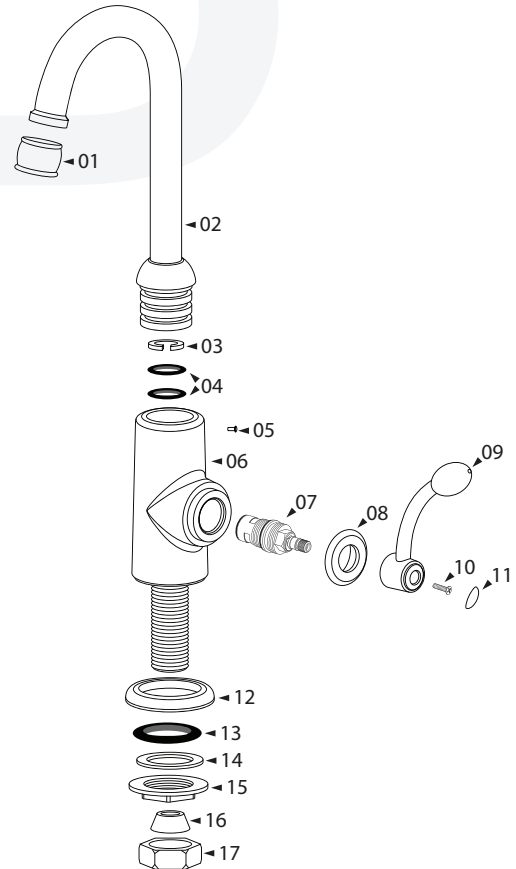
- | | |
|---------------------|----------------------------|
| 01 - Chrome | 29 - Polished Nickel |
| 12 - Satin Nickel | 70 - Polished Brass (PVD) |
| 20 - Antique Bronze | 71 - Polished Nickel (PVD) |
| 21 - Antique Brass | 72 - Satin Nickel (PVD) |
| 22 - Antique nickel | 73 - Satin Brass (PVD) |
| 23 - Antique Copper | |
| 24 - Satin Copper | |
| 27 - Matte Nickel | |
| 28 - ORB | |

Please add finish code when placing order for parts with using following finish code table. For example J handle in Chrome will be BJ-01, BJ-12 for Satin Nickel.

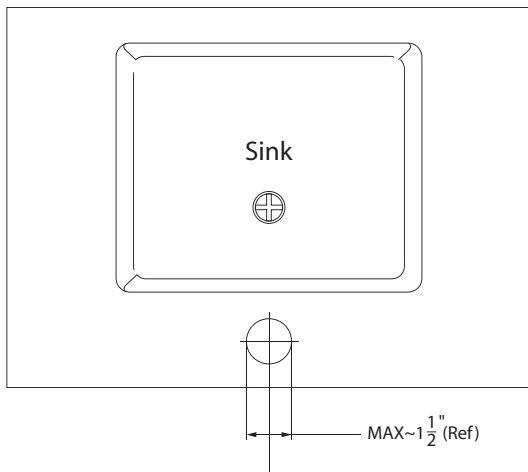
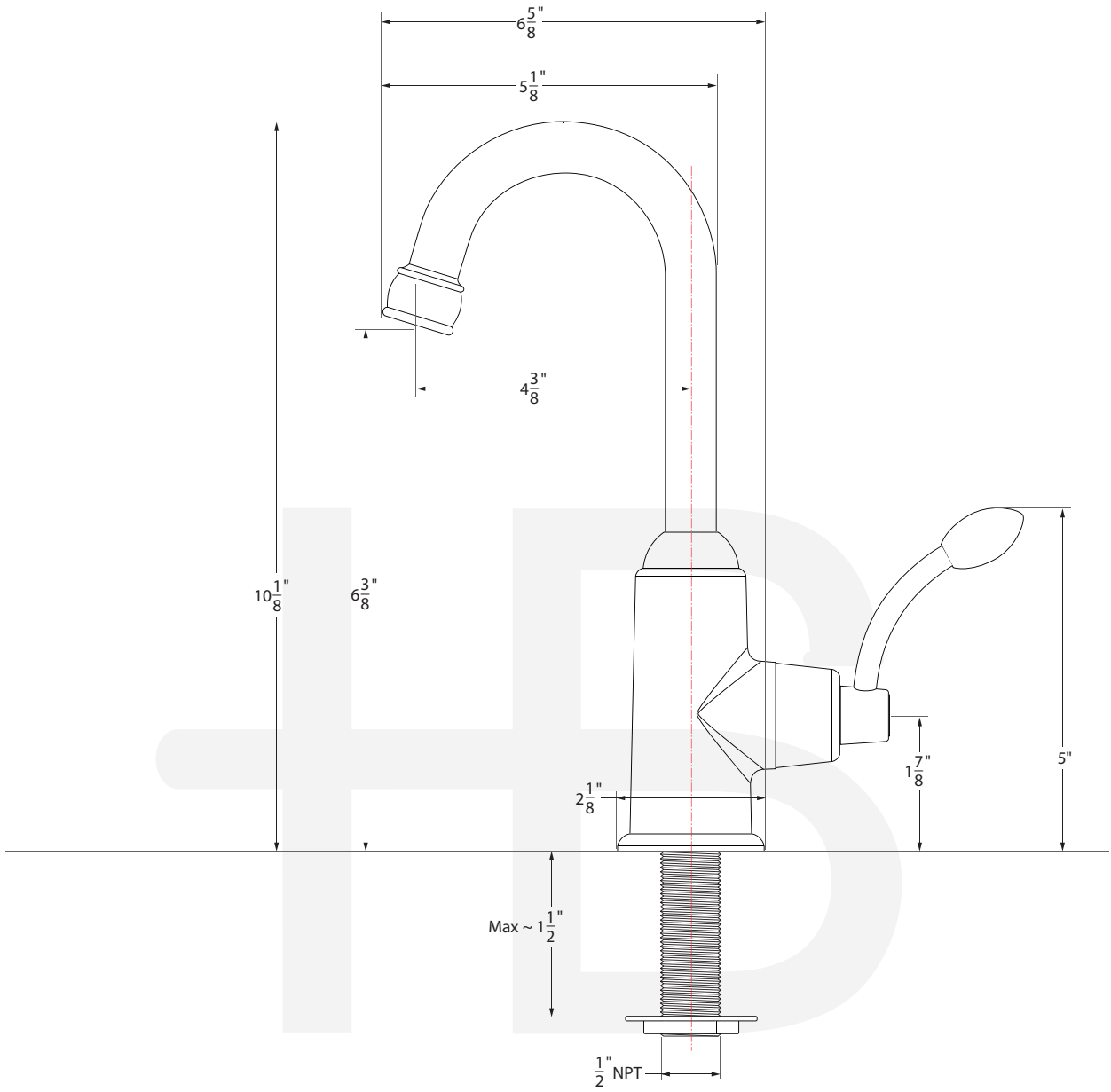
Special Handle & Escutcheon Option
AL / BX

BREAK DOWN Component Parts List

#	PART NAME	QTY
1	AERATOR	2
2	SPOUT	2
3	C-RING	2
4	O-RING	2
5	SCREW	1
6	BODY	1
7	CARTRIDGE	2
8	ESCUTCHEON	2
9	HANDLE	1
10	SCREW	1
11	INDEX BUTTON	1
12	PACKING	1
13	RUBBER WASHER	1
14	METAL WASHER	1
15	LOCK NUT	2
16	CONE WASHER	1
17	LOCK NUT	2



SPECIFICATION



Item Number	Type	Date
PLBF1	Bar	07/29/2005