

### Pressure Balance Shower Only Dual Control (Volume & Temperature) Ceramic Disc Cartridge Platinum Shower Trim Kit

#### Before Your Installation

- Read all instructions carefully.
- Assemble all tools.
- Turn off main water supply before removing old faucet and fixtures.
- Clean surface before installing new faucet.
- Insert a cloth or stopper into drain to prevent small parts from getting lost.
- HB recommends that when cleaning you HB faucet to only use soap and warm water. The use of any chemical substance will void finish warranty

#### Tips for Successful Installations

- Use joint compound or Teflon® tape on all threaded connections to prevent leaks.
- Use a soft cloth to protect the faucet's finish when using a wrench, pliers or other tools that could scratch the faucet.
- Tighten all hose connections by hand. Do not over tighten.
- Before turning main water supply back on, open several faucets around the house to prevent pressure from building up. Remove aerator from faucet before turning on water. Flush drain for several minutes before replacing aerator. DO NOT use joint compound or Teflon® tape to reconnect aerator.
- DO NOT use "plumbers putty" or any oil based sealant. HB recommends silicon caulking to be use to seal drain flange and other parts.
- If you experience problems with the installation consult a professional plumber.

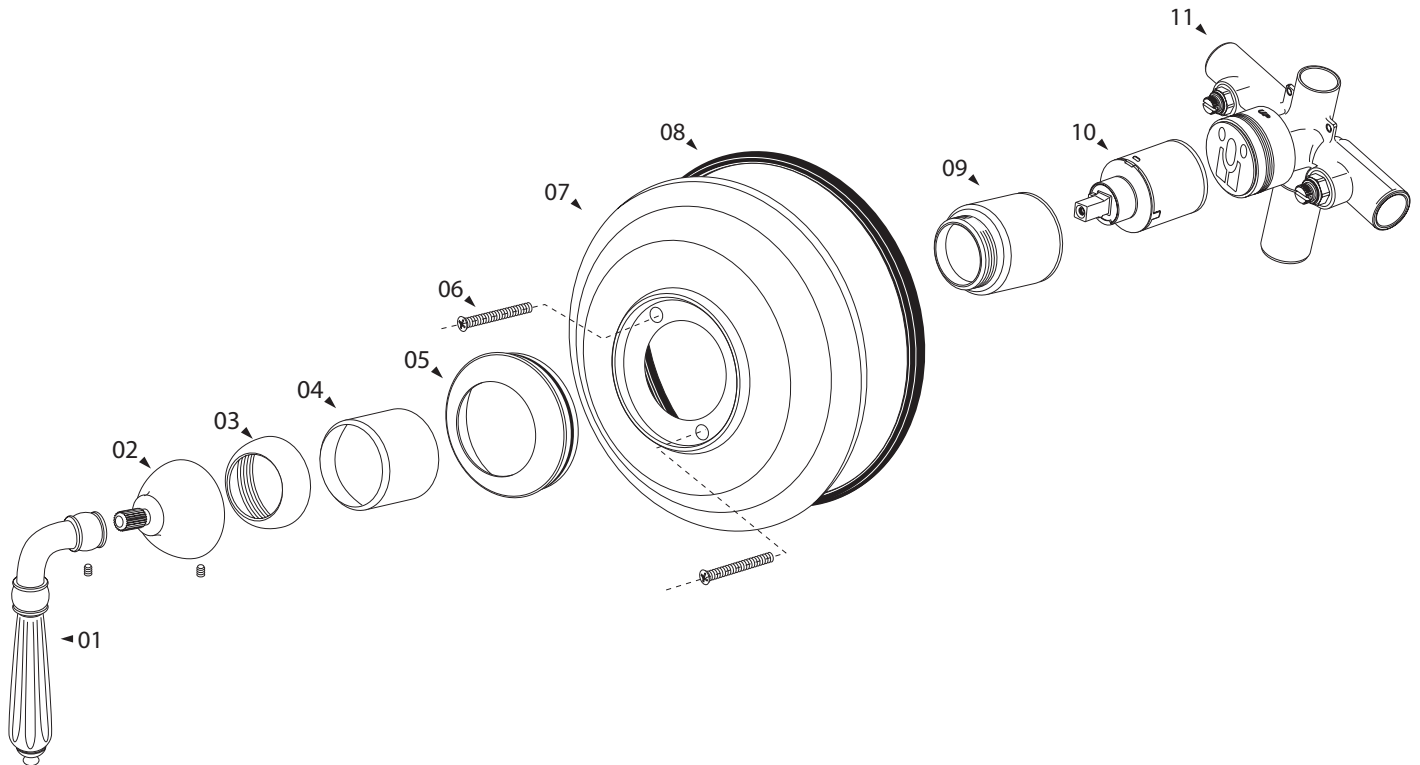
Help Info? Please call Toll-FREE customer service line at 1-800-888-6604 for additional assistance service.



### BREAK DOWN

#### Component Parts List - PL8900-00 (Shower Only without diverter)

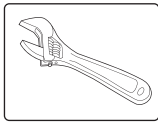
#	PART NAME	QTY
1	HANDLE OPTION : DESIGNS ON TRIM STYLES	1
2	ADAPTOR (PLxxHA-R / PLxxHA-F) (Note : FAVARI, MONARCH ,INTRIGUE, ATLANTIS does not need adaptor)	1
3	LOCK CAP (PL008-xx)	1
4	FINISHED SLEEVE (PL007-xx)	1
5	FACE PLATE HOLE COVER	1
6	LONG SCREW (FA53103-00) (Note : FAVARI Series does not need long screw)	2
7	FACE PLATE	1
8	RUBBER RING	1
9	RAW SLEEVE	1
10	CARTRIDGE (ST8000)	1
11	SHOWER ONLY VALVE (PL8900-00)	1



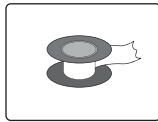
### Tools You Will Need



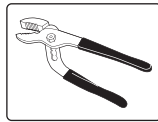
Plumber's putty



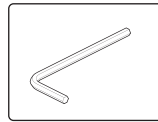
Adjustable Wrench



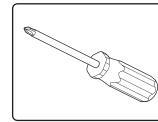
Pipe Tape



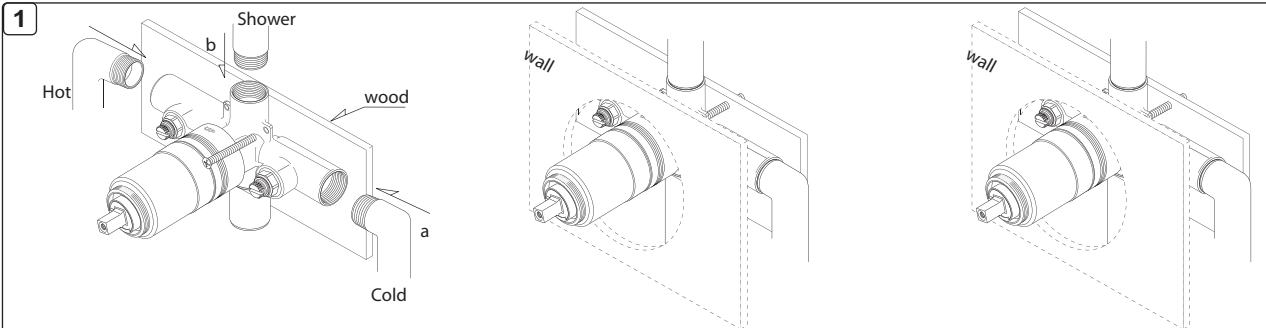
Groove joint plier



Allen Wrench



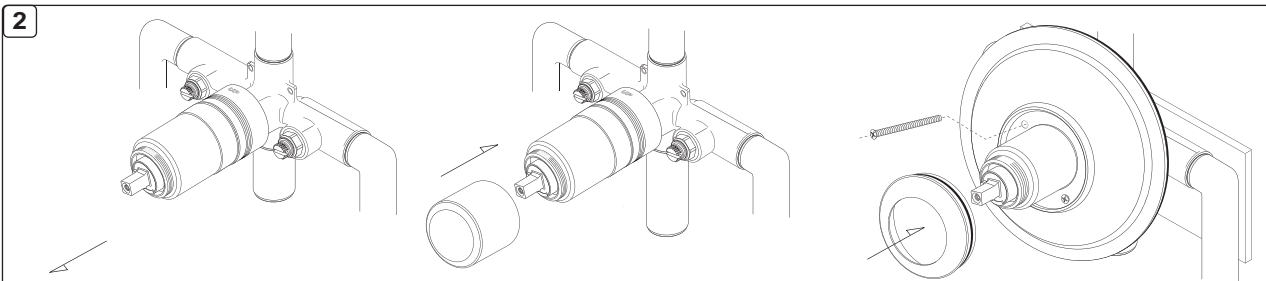
Phillips Screwdriver



Once the location has been determined, install a crossbeam. Level the valve and secure to the crossbeam. Connect valve to the hot and cold supplies using copper supply lines. (Note: Do not apply heat directly to the valves as this may damage rubber and plastic seals and will void the warranty) Connect the outlet port to the spout & to the shower head.

Before the finished wall is complete and the valve is fully installed make sure to test the valve function. The cartridge function, anti-scald function should all be checked to make sure that valve is working properly. Make sure to open the integral stops.

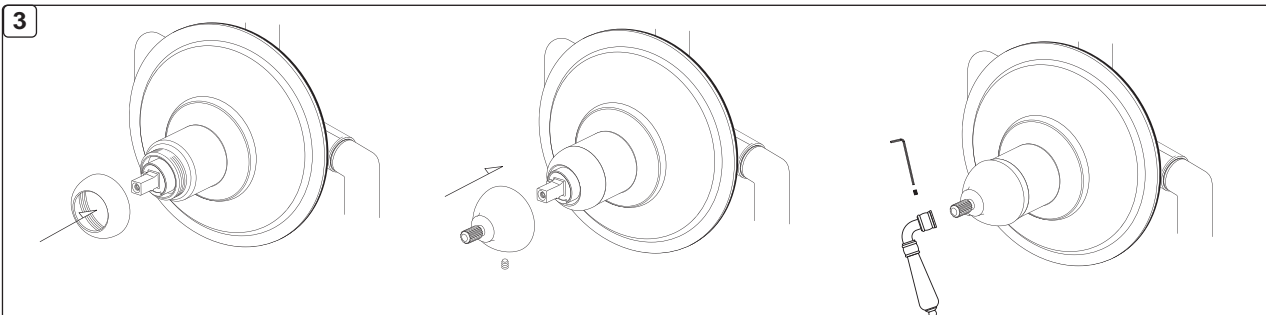
To test the valve function turn on the water check to make sure both hot and cold supply is working. If not enough hot water is supplied check the temperature limit stop. To check the anti scald turn off one side of the valve from the service stop, all water (hot & cold) should stop or come to a trickle.



Make sure valve is straight and not installed at an angle. This is the last time to check and make sure valve body is installed properly before the trim is installed. (Hint: check main connection points and assure no leaks)

Install the sleeve to the raw sleeve on the valve body. From the outside slide the finished sleeve over the raw sleeve. It simply slips on to the valve.

Slide the face plate over the valve. The face plate has a cap that needs to be taken off in order to screw on the screws to the valve. The cap can be removed by simply using your hands and twist it until it snaps off. Screw holes should be visible. Place face plate over the valve body. Use screws supplied to screw it onto the valve. Place face plate cap over screw holes and push it into place so that screw holes are not visible



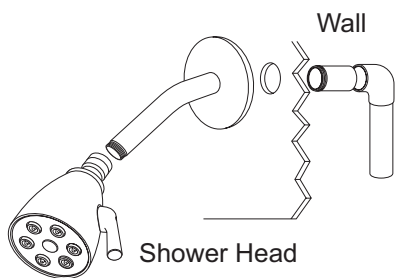
Grab the sleeve cap, and place it over the cartridge portion of the valve. From the top screw the sleeve cap by simply twisting it to make sure it locks in place. Cap will hold the sleeve in place and prevent it from moving back and forth.

Install the adaptor. From the outside slip the adaptor onto the plastic square protruding from the cartridge. Make sure hole from the adaptor faces down. From below, grab an allen wrench and lock the allen screw, so that it locks the adaptor to the cartridge. (Note: Adaptor should not wiggle)

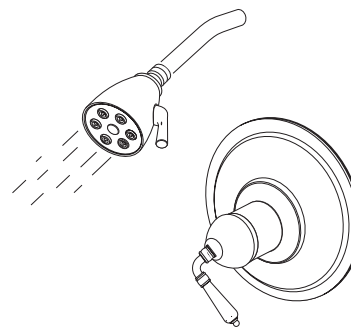
Install handle by placing it over and sliding it into the threaded portion of the adaptor. Next (Depending on the handle) with an allen wrench tighten the set screw on the handle so that it locks the handle to the adaptor. (Note: The handle should be tightened so that it does not wiggle)



4



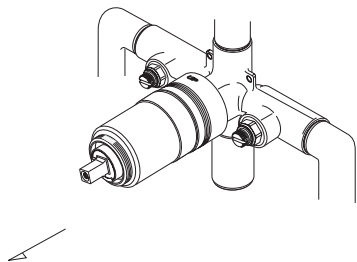
Install shower arm and flange by first sliding the shower arm into the flange. Next place the shower arm into the outlet hole from the wall and screw it to the shower supply line. Next screw on the shower to the other end of the shower arm.



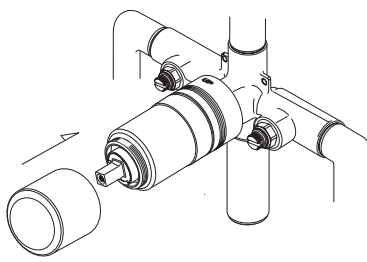
Flush system. Turn main water supply on. Turn faucet to full mix position. Let run for two minutes move handle up and down to check incoming water volume. Check for leaks and water temperature.

### FAVARI Series Shower only face plate installation

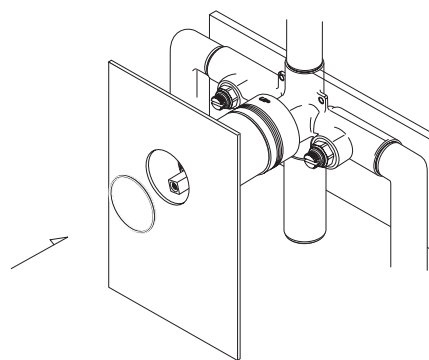
1



Make sure valve is straight and not installed at an angle. This is the last time to check and make sure valve body is installed properly before the trim is installed. (Hint: check main connection points and assure no leaks)

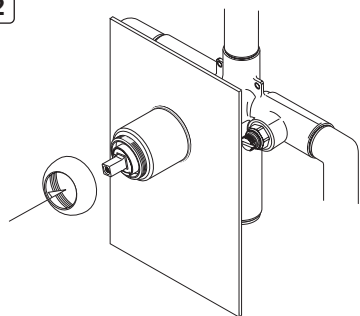


Install the sleeve to the raw sleeve on the valve body. From the outside slide the finished sleeve over the raw sleeve. It simply slips on to the valve.

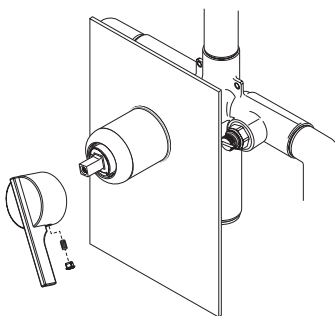


Slide the face plate over the valve. Place face plate over the valve body and push it into place so that the face plate sits firm against the finished wall. (Note : the Favari face plate does not need long screw to secure, instead its secured with rubber washer.)

2

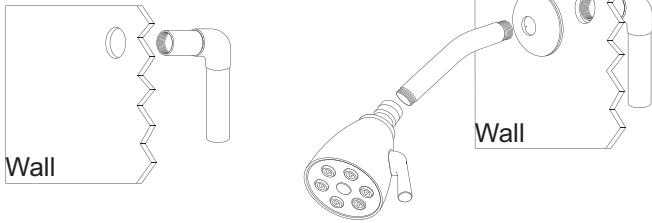


Grab the sleeve cap, and place it over the cartridge portion of the valve. From the top screw the sleeve cap by simply twisting it to make sure it locks in place. Cap will hold the sleeve in place and prevent it from moving back and forth.



Install handle by placing it over and sliding it into the square portion of the cartridge. Next (Depending on the handle) with an allen wrench tighten the set screw on the handle so that it locks the handle to the cartridge. (Note: The handle should be tighten so that it does not wiggle)

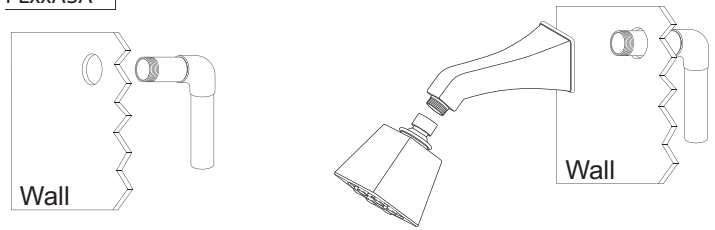
1506-xx



**CAUTION:** Risk of product damage. To avoid clogging the showerhead spray outlets, use thread sealant tape on the shower arm. Do not use thread sealant compound (pipe dope).  
Remove the temporary nipple from the shower elbow and apply thread sealant and install a 1/2" NPT nipple to sit flush against finished wall.  
Turn the main water supply on.  
Run water through the shower arm to flush out dirt and debris.

Place the wall flange onto the shower arm and flush against the wall.  
Apply thread sealant tape to the shower arm, then thread the showerhead assembly onto the shower arm.  
Carefully tighten the showerhead to the shower arm with a clean strap wrench.

PLxxASA



**CAUTION:** Risk of product damage. To avoid clogging the showerhead spray outlets, use thread sealant tape on the shower arm. Do not use thread sealant compound (pipe dope).  
Remove the temporary nipple from the shower elbow and apply thread sealant and install a 1/2" NPT nipple to extend 1" (2.5 cm) beyond the finished wall.  
Turn the main water supply on. Run water through the shower arm to flush out dirt and debris.

Make sure the shower arm sits flush against finish wall.  
Apply thread sealant tape to the shower arm, then thread the showerhead assembly onto the shower arm.  
Carefully tighten the showerhead to the shower arm with a clean strap wrench.

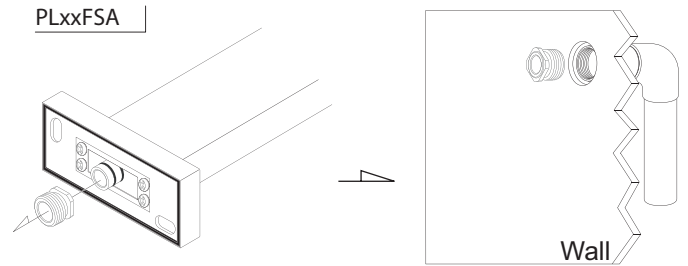
PLxxLSA



**CAUTION:** Risk of product damage. To avoid clogging the showerhead spray outlets, use thread sealant tape on the shower arm. Do not use thread sealant compound (pipe dope).  
Remove the temporary nipple from the shower elbow and apply thread sealant and install a 1/2" NPT nipple to extend 1" (2.5 cm) beyond the finished wall.

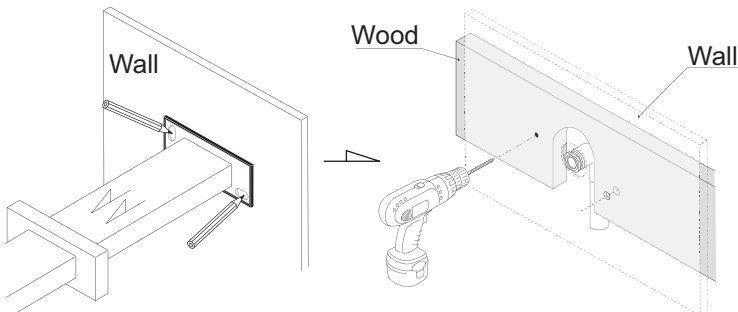
Screw the shower arm with flange to the nipple. Make sure the flange sits flush against the finish wall.  
Turn the main water supply on.  
Run water through the shower arm to flush out dirt and debris.  
Apply thread sealant tape to the shower arm, then thread the showerhead assembly onto the shower arm.  
Carefully tighten the showerhead to the shower arm with a clean strap wrench.

PLxxFSA



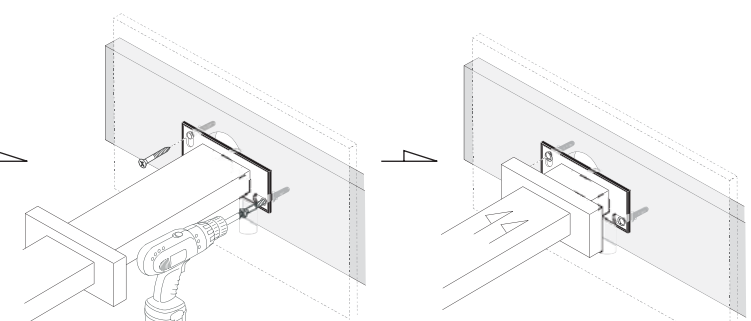
**Note:** This is a heavy shower arm. The wall area where the arm will be installed must be reinforced to hold the shower arm.  
Remove the adaptor nipple from the back of the shower arm.

Use thread sealant tape on the adaptor nipple. Do not use thread sealant compound (pipe dope).  
Tighten the adaptor nipple onto the elbow coming from the wall.  
Adaptor now needs to be flush with the finish wall.



Use an allen wrench and loosen up the set screws on the bottom of the shower flange. Carefully slide back the shower arm flange. Place the metal bracket on the back of the shower arm against the finish wall.  
Use a pencil to mark the hole locations on the finish wall.

Use a drill and drill two pilot holes where the screws will be inserted.



Insert the shower arm onto the nipple adaptor.  
Place the bracket up against the finish wall. Use a drill and screw the wall screws to the wall. Make sure they sit firm and flush with the finish wall.

Slide the shower arm flange back against the finish wall so that it sits flush.  
Use the allen wrench and tighten the set screws on the bottom of the flange.