



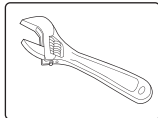
Models:
PL1672
PL1675



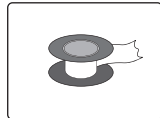
Tools You May Need



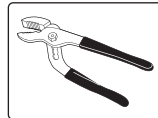
Silicone Sealant



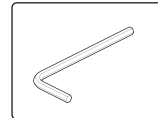
Adjustable Wrench



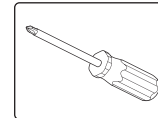
Seal Tape



Groove joint plier



Allen Wrench



Phillips Screwdriver



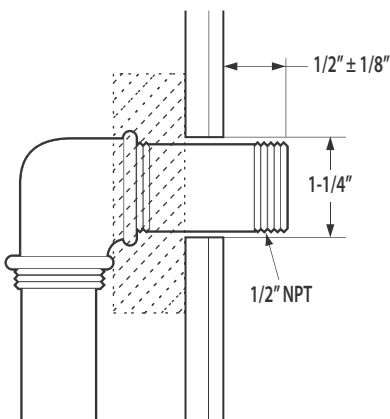
Drill w/ 3/16" drill bit

Before Your Installation

- Read all instructions carefully.
- Assemble all tools.
- Turn off main water supply before removing old faucet and fixtures.
- Clean surface before installing new faucet.
- Insert a cloth or stopper into drain to prevent small parts from getting lost.
- HB recommends that when cleaning your HB faucet to only use soap and warm water. The use of any chemical substance will void the finish warranty.

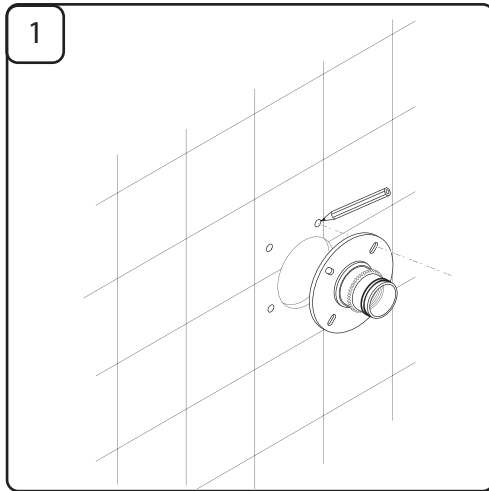
Tips for Successful Installations

- Use joint compound or Teflon® tape on all threaded connections to prevent leaks except on aerators .
- Use a soft cloth to protect the faucet's finish when using a wrench, pliers or other tools that could scratch the faucet.
- Tighten all hose connections by hand plus half turn with wrench. Do not over tighten.
- Before turning main water supply back on, open several faucets around the house to prevent pressure from building up and sustaining damage do to water hammer. Remove aerator from faucet before turning on water. Flush drain for several minutes before replacing aerator. DO NOT use joint compound or Teflon® tape to reconnect aerator.
- DO NOT use "plumbers putty" or any oil based sealant. HB recommends silicon caulking to be use to seal drain flange and other parts.
- If you experience problems with the installation consult a professional



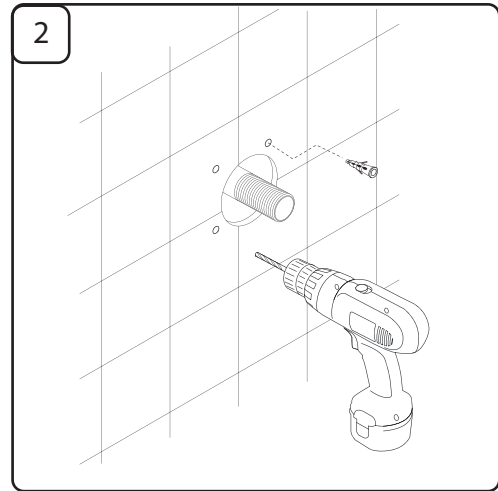
- 1 Prepare the Site
IMPORTANT! The supply pipe should protrude 1/2" ± 1/8" beyond the finished wall.
- 2 Determine the faucet installation location.
Install a supply stop and route the water supply to the installation location.
- 3 Install appropriate backing and secure the supply pipe so the front face of the pipe nipple will protrude no more that 1/2" ± 1/8" beyond the finished wall surface.
- 4 Install the wall board and finished wall material. Allow a 1-3/16" diameter opening in the wall board and finished wall material for the faucet supply connection.





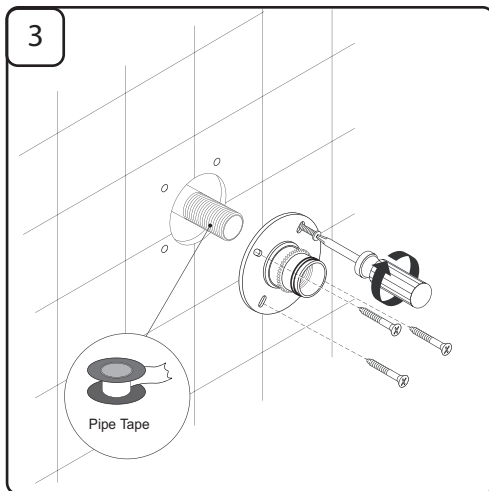
Preparing to install the mounting bracket:

1. Remove the mounting plate from the faucet (If not done so already).
2. Hold up the mounting bracket to the desired location on the wall, and with a pencil mark the location of the four mounting holes.



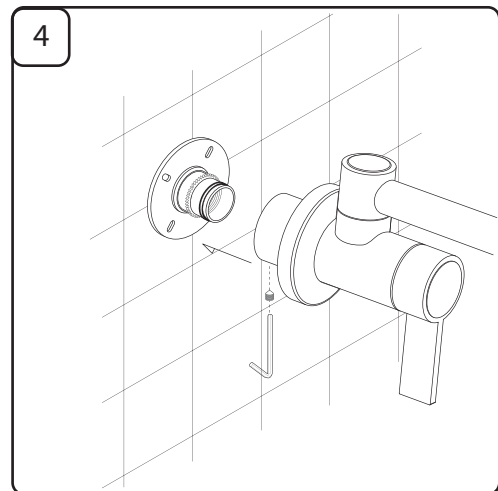
Install the wall anchors:

3. Using a 3/16" drill bit drill a hole at each of the 4 marked locations.
4. Insert a #8 anchor into each of the four holes (make sure not to push the anchor too far into the wall. Do not force it)



Install the mounting bracket:

5. Using seal tape install the mounting plate onto the 1/2" NPT pipe (make sure to screw the plate on until it touches the wall)
6. Lining up the mounting plate with the anchor holes, secure it with four screws.

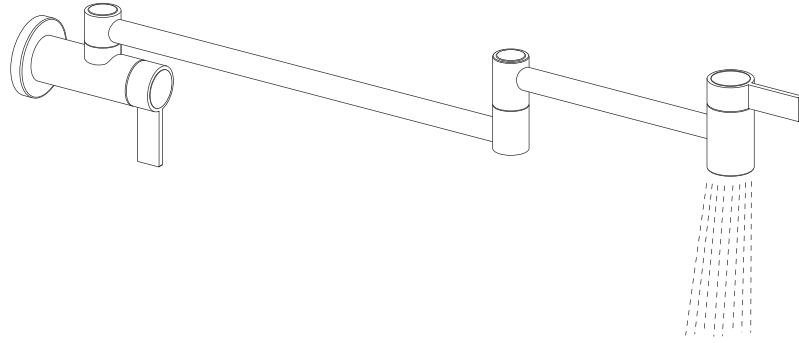


Install the faucet:

7. Loosen the set screw on the pot filler valve body and slide the pot filler onto the slip joint mounting plate aligning the faucet with the teeth such that the faucet is in the proper position. (If the faucet does not align properly loosen the screws and adjust the mounting plate as needed)
9. Tighten the set screw from the bottom.
10. Slide the flange back to the wall covering the mounting bracket.



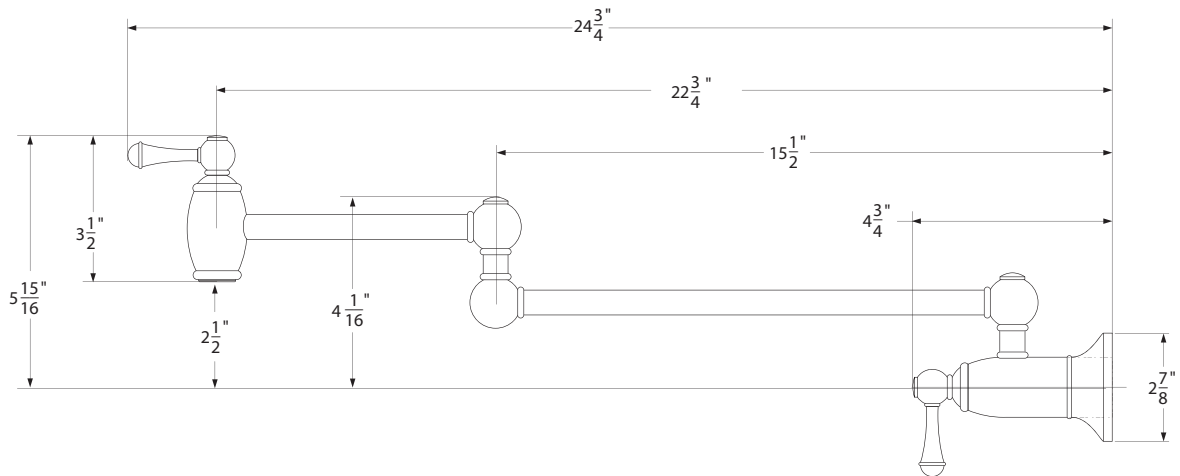
Test and flush the System:



1. Make sure both handles are in the off position.
2. Turn the water supply back on.
3. Remove the aerator by rotating it counterclock wise.
4. Place a container beneath the spout.
5. Turn on the main water supply.
6. Turn both handles into the on position, to let water run through the pot filler.
7. Check all major connections for leaks. Repair if needed.
8. Let the water run for 2-3 minutes.
9. Test both valves to make sure they are functioning properly.
10. Turn handles back into the off position.
11. Install the aerator back onto the pot filler.

Dimension Specifications:

PL1672



PL1675

