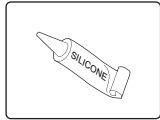
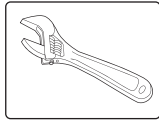


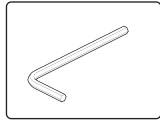
Tools You Will Need



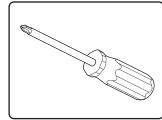
Silicone Caulking



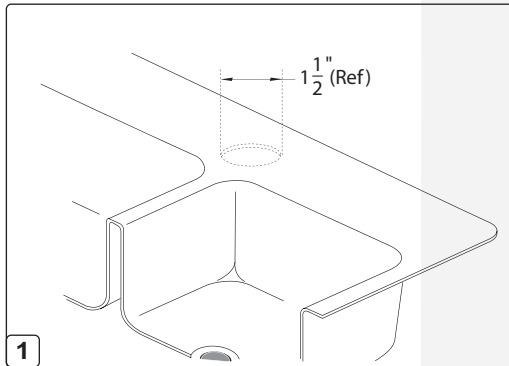
Adjustable Wrench



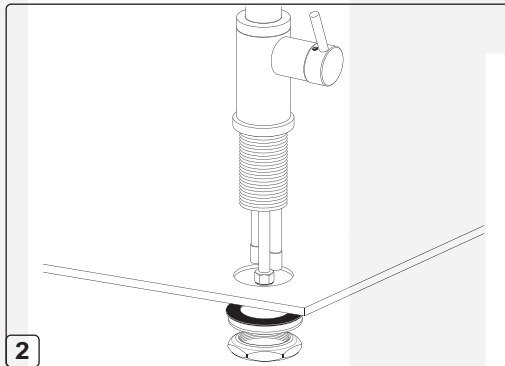
Allen Wrench



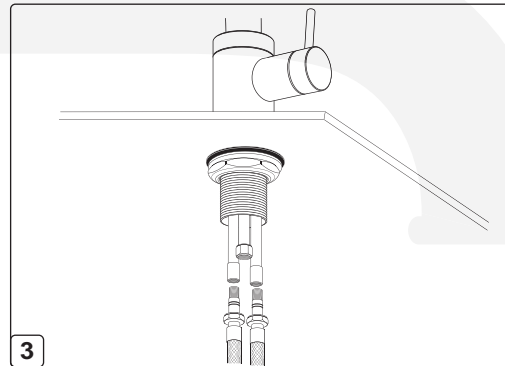
Phillips Screwdriver



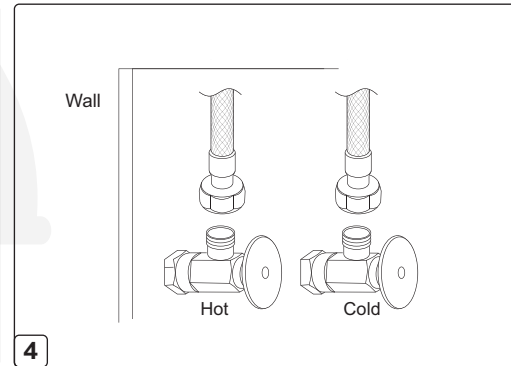
1



2



3



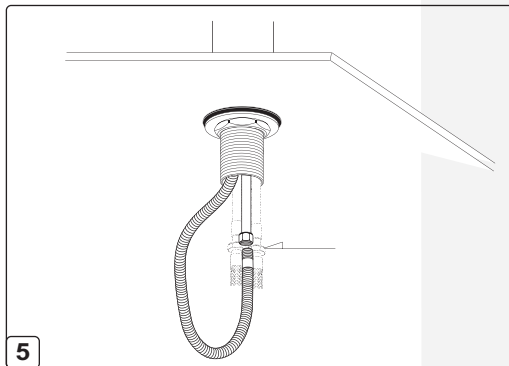
4

**Drilling holes:**  
Many kitchen sinks come with a 1 1/2" hole with a single hole faucet application already in it. However, if you are drilling your own holes in a solid surface counter top then you need to pay close attention to the specification dimension on the back side of these installations to make sure you position the faucet properly before drilling. HB faucets are made to fit into a 1 1/2" hole, yet HB recommends that when drilling holes yourself that you make a 1 5/8" hole if possible. This will give you some extra space.

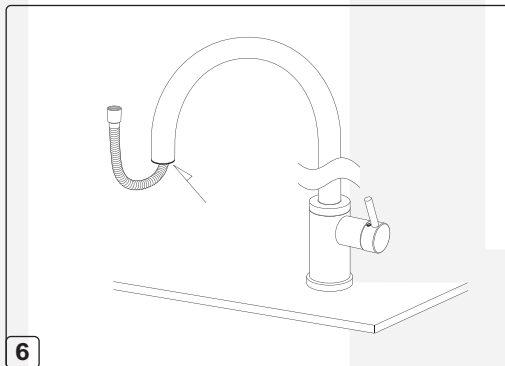
**Installing the faucet body:**  
After the hole is completed you will install the faucet body by removing the mounting hardware from the bottom of the faucet if not done so already. Stick the faucet shank down into the hole. Make sure the flange if applicable is properly positioned on the faucet. Position the faucet centered in the hole and place the mounting hardware back on to the shank from underneath the sink.

**Tighten & install supply lines:**  
After centering the faucet in the hole tighten the mounting nut down with a wrench big enough to fit until the faucet is secure. The faucet should not be movable by hand. Next, install the 2 braided water supply line into the copper inlets. Simple screw in the smaller male threaded end of the supply line into the metal inlet making sure that the o-ring are not damaged when installing. Screw the supply line in until hand tight and/or the o-ring can not be seen anymore.

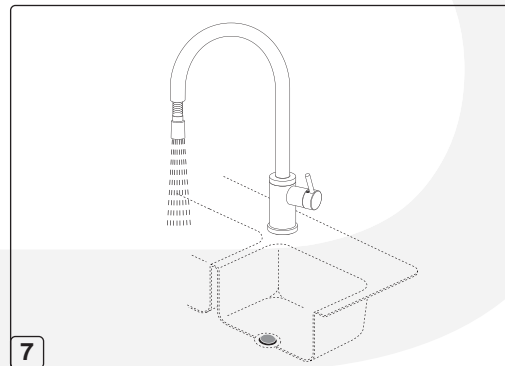
**Connecting the water supply:**  
Next, connect the other end of the braided supply lines to the water supply angle stops underneath the sink. Attach the hex nut end of the supply line to the connection on the angle stop. Make sure the rubber washers are inside the hose hex nut. Hand tighten the connection plus an extra 1/4 to 1/2 turn with a wrench. Do not over tighten.



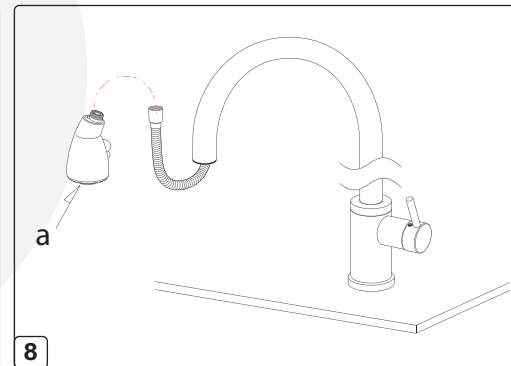
5



6



7



8

**Installing the spray hose:**  
Next, you will take the metal sprayer hose that is sticking down through the middle of the faucet and connect the small male threaded connection to the center spray hose outlet at the bottom of the faucet. This connection should also have a small rubber seal installed. Screw in until hand tight plus an extra 1/4 turn with a wrench.

Next pull the hose from the spout such that there is sufficient length to grab.

**Flushing the lines:**  
Remove the spray head if not done so already. Make sure to keep the spray hose pull out and pointed down into the sink. Turn on the main water supply and then turn on the handle and let water flow for about 2-3 minutes. While flushing the lines make sure to check for leakage underneath the sink and at all major connection points.

**Installing the spray head:**  
Finally install the spray head. Make sure to use the screen rubber washer provided when installing the spray head to the cone nut of the spray hose. Screw the nut down onto the spray head until tight. There will still be some threads from the spray head exposed when fully installed. This is normal. This is so that the cone nut edge will lodge itself inside the spout insert piece securing the spray head when not in use.

