



PULL-OUT KITCHEN PL1630

Description

- Single handle kitchen pull-down faucet
- Single hole mount
- Extra long 11" & 360° rotating spout
- Fit on all standard sink
- High end patented sprayer design

Standards

- ASME A112.18.1 Compliant
- Listed IAPMO / UPC & CUPC
- ADA Accessibility Guidelines for Buildings and Facilities - 4.27.4 Controls and Mechanisms (lever handle only)
- NSF - 61-9 tested
- CSA B125.1 Compliant



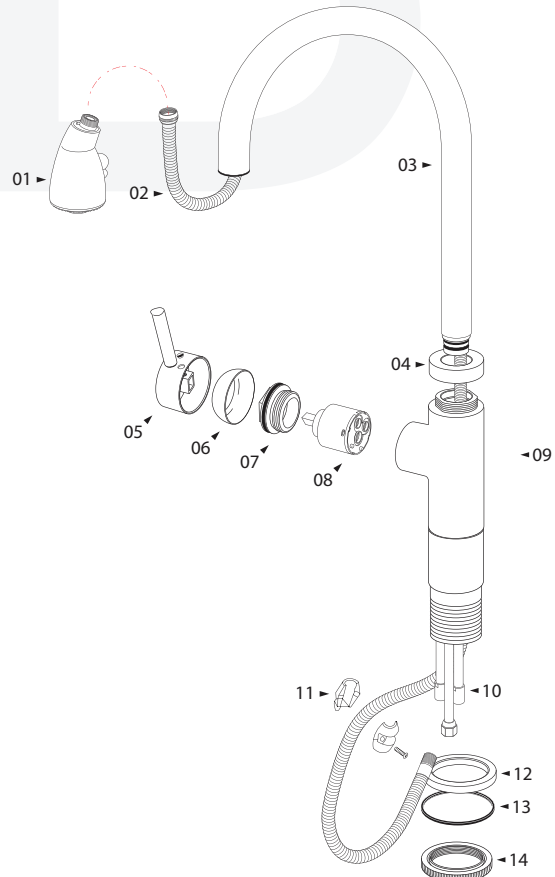
Colors / Finishes

- | | |
|----------------------------|-----------------------------------|
| 01 - Chrome | 29 - Polished Nickel |
| 12 - Satin Nickel | 70 - Polished Brass (PVD) |
| 20 - Antique Bronze | 71 - Polished Nickel (PVD) |
| 21 - Antique Brass | 72 - Satin Nickel (PVD) |
| 22 - Antique nickel | 73 - Satin Brass (PVD) |
| 23 - Antique Copper | |
| 24 - Satin Copper | |
| 27 - Matte Nickel | |
| 28 - ORB | |

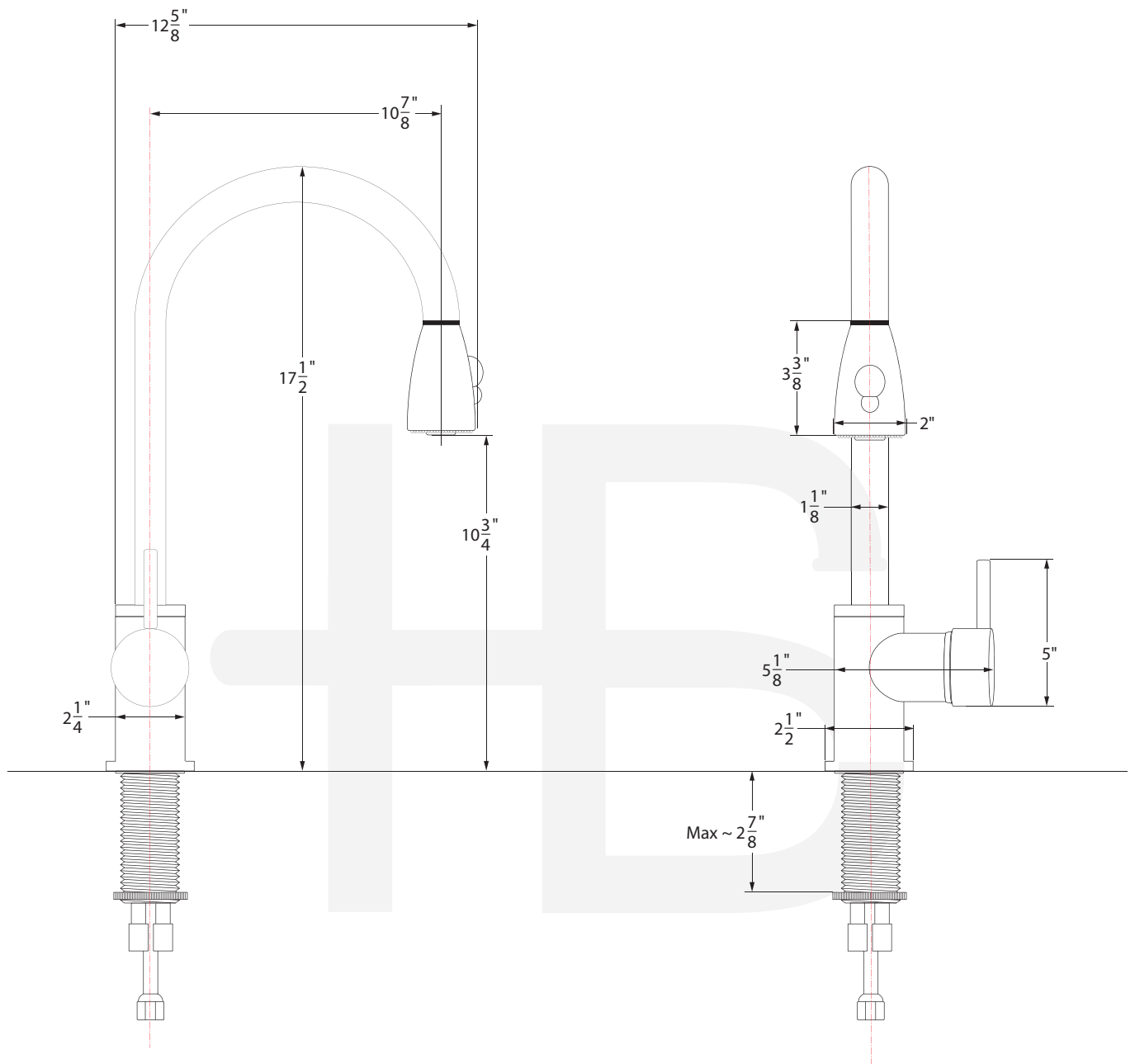
Please add finish code when placing order for parts with using following finish code table. For example J handle in Chrome will be BJ-01, BJ-12 for Satin Nickel.

BREAK DOWN Component Parts List

#	PART NAME	QTY
1	SPRAYER	1
2	SPRAYER HOSE	1
3	SPOUT ESCUTCHEON BASE	1
4	FLANGE	1
5	HANDLE	1
6	CAP	1
7	CARTRIDGE LOCK NUT	1
8	CARTRIDGE	1
9	BRASS VALVE & BODY	1
10	WATER SUPPLY LINE	3
11	SET NUT	1
12	BODY FLANGE	1
13	RUBBER WASHER	1
14	LOCK NUT	1



SPECIFICATION



Item Number	Type	Date
PL1630	Pull-Out Kitchen	07/29/2005