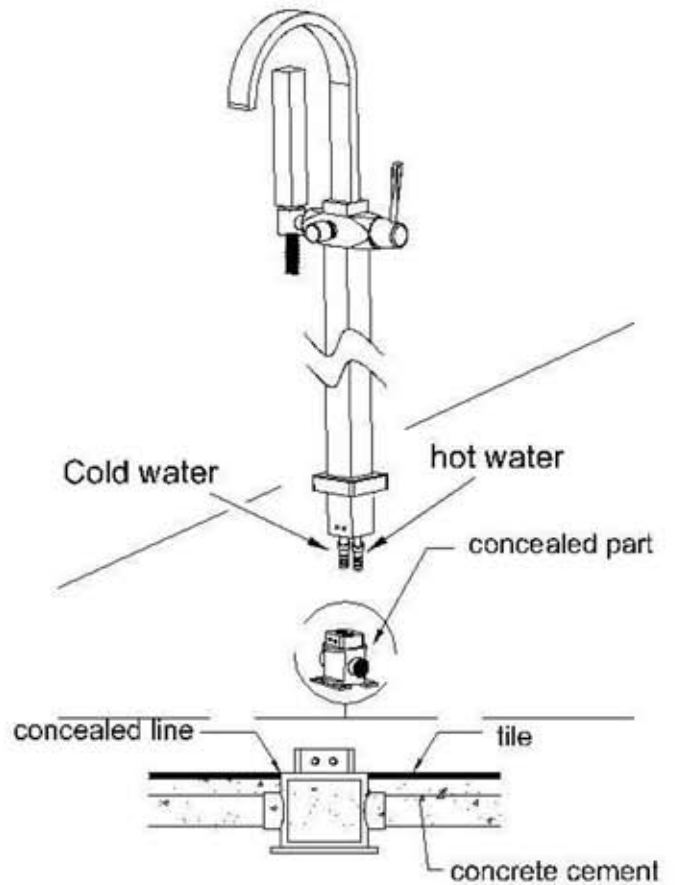
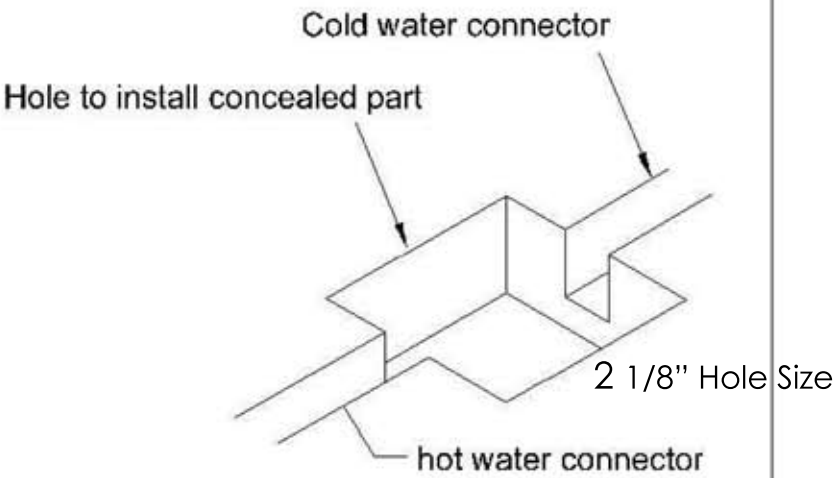
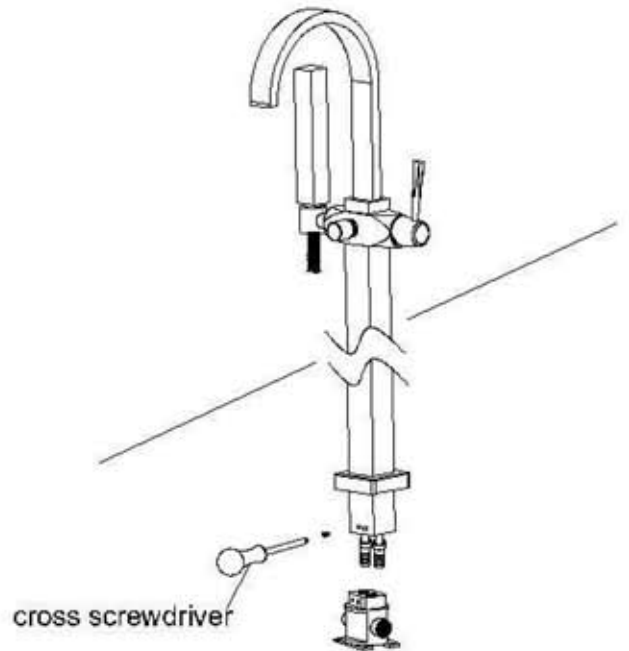
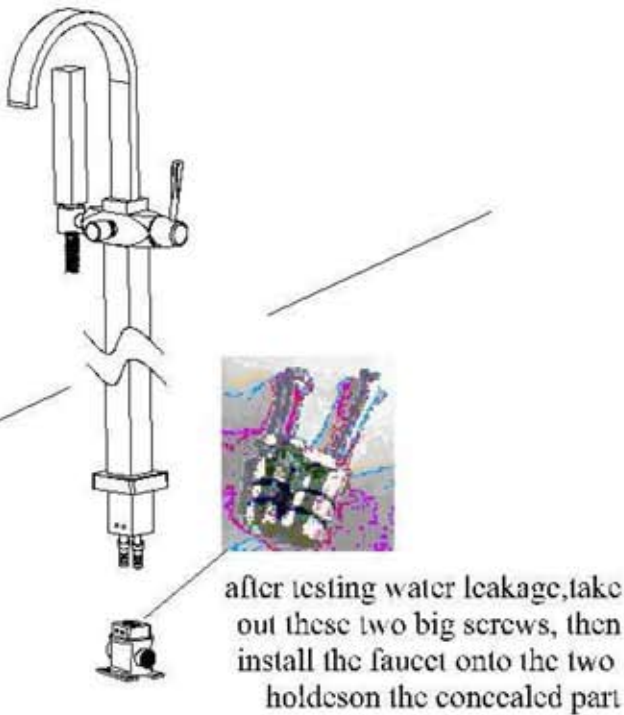


# INSTALLATION:



1. Please refer to the above photo to cut the right size holes in the floor to install the concealed body of parts, cold water connector and hot water connector.

2. As per shown above, insert the concealed parts into the hole of the floor, and connect hot/cold water hoses. Then open water valve and check to make sure there is no any leakage; the plumber can start to stuff the hole by concrete cement.



3. After the concealed parts are fixed, take out the two big screws as illustration, put the faucet with flexible hoses onto the concealed parts though the two holes, then close the body onto the concealed parts .

4. Fix the body with the cross screwdriver.