

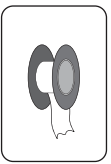
MOWSxxMNL / MOWSxxMDX - Wide Spread Lavatory Faucet

Faucet installation

Tools You Will Need



Adjustable Wrench



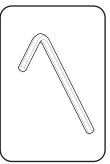
Pipe Tape



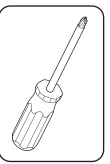
Silicone Caulking



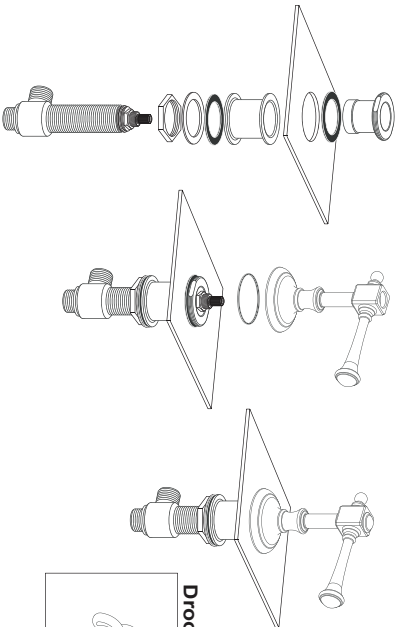
Groove joint plier



Allen Wrench



Phillips Screwdriver

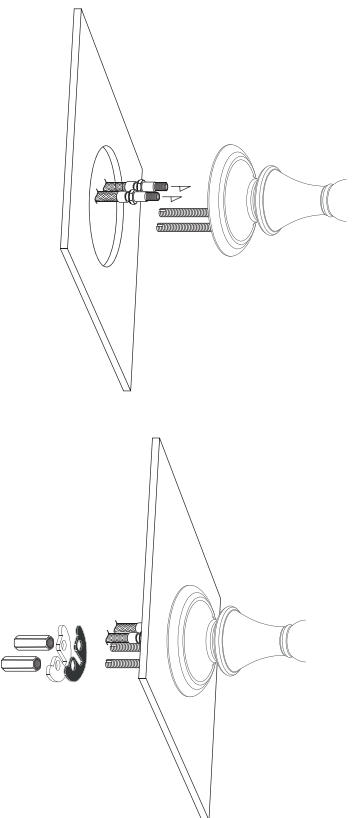


Drop Handle



To install the valve bodies first loosen the bottom lock nut on the neck of the valve such that the valve has enough room when placed through the hole from under the counter top. Next, place (Optional) spacer over the valve body. From the bottom slide the valve body up the hole and position the valve body as desired. From the top place rubber washer and metal washer over the valve body so that the washer sit down against the counter top. Screw the adaptor to the top of the valve body. Once valve is in the desired position make sure that the adaptor nut sits securely over the washers. Tighten the bottom lock nut until valve body is secure. Place the handle and escutcheon over the adaptor and valve body stem. Make sure to install with handle in the off position.

Hint: At this point you can test the handle to make sure that the stem position lines up properly. Otherwise you may need to loosen the valve body and adjust the position. (Repeat for other side)

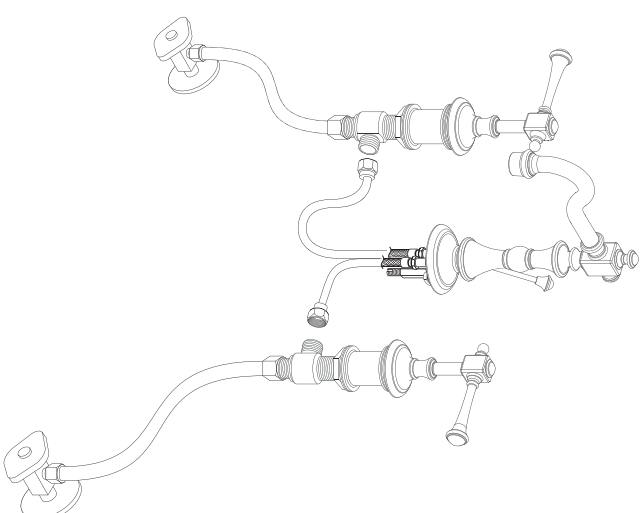


Before installing make sure that if the hole are being drilled into solid surface deck that they are drilled no larger than 1.5". (See specific specs for Spout hole)
Connect the hoses to the bottom of the spout.
Tighten the hoses to the bottom of the spout such that both rubber washers on the hoses are inside the spout.
Place the rubber washer and the metal washer onto the bottom of the spout.
HB recommends adding silicone grease to all rubber washers.

From the top place the spout with hoses and long screws connected onto the center hole on the counter top. Make sure the rubber washer and metal washer sit firmly up against the counter top.
From underneath slip the rubber U-washer and the metal U-washer through the long screws.
Tighten the lock nuts to the bottom of the screw rods so that it holds the U-clip and washer onto the bottom of the counter top.
Make sure to make good contact with the deck surface to ensure the spout is secure.

Connect the water supply lines:
Finally connect the water supply lines from the spout to the hot and cold valves. Using the steel braided hoses supplied, connect one end first (4,1) to the side outlets of the valve bodies. End hex nut on the hoses should be hand tightened plus and extra 1/2 turn with a wrench. Do not over tighten the hose connections.
Connect the water lines from the house (4,2) to the bottom of the valves. (These hoses are not supplied by H.B.)

Flush the system:
You will need to flush and test the system. Unscrew the aerator from the spout. Turn the main water supply back on and turn on both the hot and cold valves. Let the water run for about 2-3 minutes. Check above and below the deck surface and at all major connection points for leakage.



Pop-up Assembly Installations

1. Slide lift rod through hole on housing.
2. Insert pop-up plunger into drain. Hole in bottom of pop-up is to the back of the drain. Remove metal lock nut from hole in back of drain assembly. Remove spring clip from pivot rod.
3. Slide locknut over long end of pivot rod and onto ball. Insert short end of pivot rod into opening in rear of drain assembly. Remember to apply tape of compound to threads. Tighten lock nut keeping ball in place. Make sure pivot rod can still move.
4. Slide one end of spring clip onto pivot rod. Slide end of pivot rod through hole in lift rod strap. Slide other end of spring clip onto pivot rod. Pinch spring clip closed.
5. Insert bottom of lift rod into hole at top of lift rod strap. Tighten thumb screw.
6. Connect drain assembly to main drain trap.

Insert stopper in collar and hold with eye-screw hole facing back. If necessary, adjust stopper eye screw height by loosening lock nut and rotating counter-clockwise.
Tighten lock nut. Fit cone washer and nut to ball rod. Be sure that the two ball joint plastic washers are on both sides of the ball rod when installing. Screw on ball rod nut (do not overtighten). Ball rod must move up & down freely.

