



MOTHxxPK2X - Deluxe Thermostatic package

Description

- Shower arm - (PLxxLSA)
- Brass Construction.
- Shower head - (PLxxSH8)
- 2.0 GPM ASME Compliant
- 1/2" IPS Conection
- Handle trim (2) - (MDXxxS)
- Brass Construction.
- Stop valves (2) - (PL2000W)
- 3/4" Fittings
- Ceramic disc cartridge.
- Valve trim - (MO8950-xx)
- Brass lever handle
- Square forged brass face plate
- Thermostatic valve - (PL8950)
- Super high flow 3/4" Thermostatic valve body
- Complies w/ ASSE 1016 standard
- Flow Rate : 20 GPM
- Made in ITALY
- IAPMO listed and approved UPC
- Handshower (114-xx)
- Brass Construction.
- Dual check valve.
- 2.0 GPM ASME Compliant
- Wall Bracket (PL701-xx)
- Brass swivel wall bracket
- Ball joint.
- Hose (940-xx)
- 59" Metal Hose.
- Spiral Construction.
- Cone nut with o-ring.
- Supply Elbow (973R-xx)
- 1/2" NPT Connection to wall.
- Standard 1/2" IPS hose connection.
- Solid Brass construction.

• **MOTHxxPK2X**



Standards

- Complies with IAPMO cUPC
- Complies with ASSE 1016
- ADA Accessibility Guidelines for Buildings and Facilities - 4.27.4 Controls and Mechanisms (lever handle only)

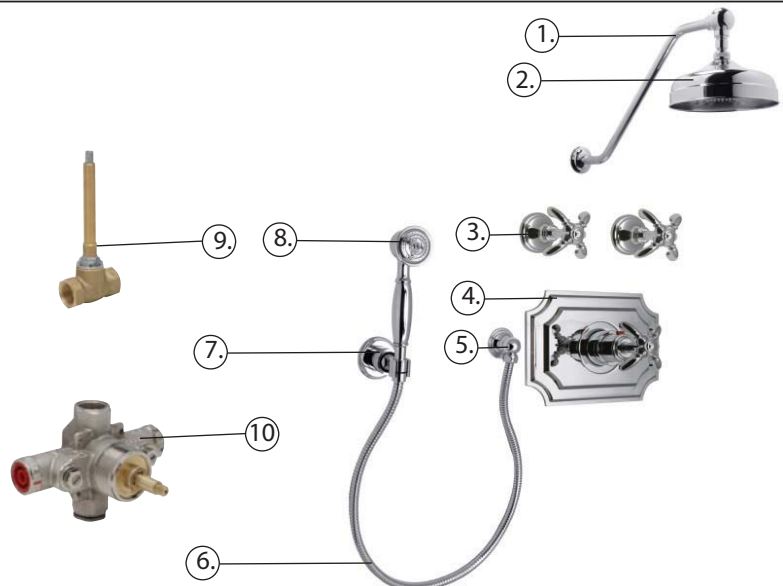


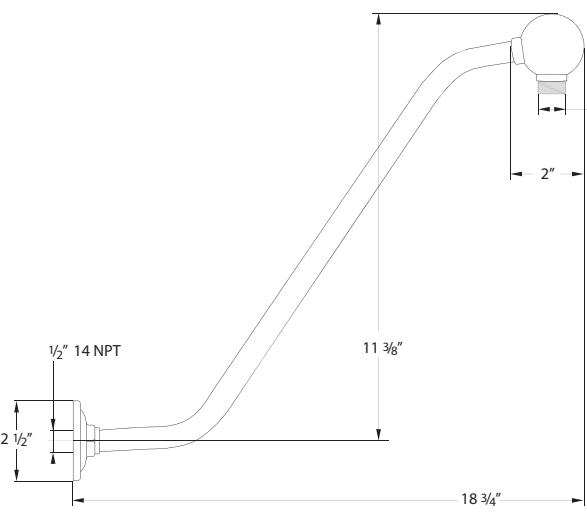
Colors / Finishes

- 01 - Chrome
- 72 - PVD Satin Nickel
- xx - Special Finish (Please reference the Platinum Catalog)

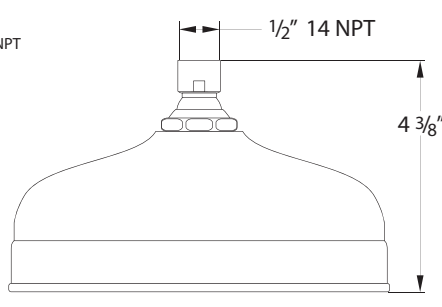
**BREAK DOWN
Component Parts List**

NO.	Part No	Qty
01	PLXXLSA	1
02	PLXXSH8	1
03	MDX-XXS	2
04	MO8950-XX	1
05	973R-XX	1
06	940-XX	1
07	PL701-XX	1
08	114-XX	1
09	PL2000W	2
10	PL8950-00	1

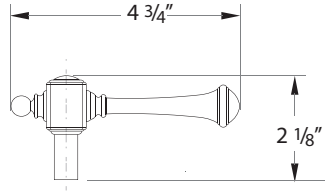
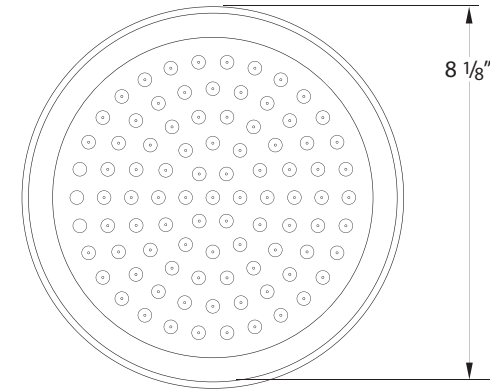




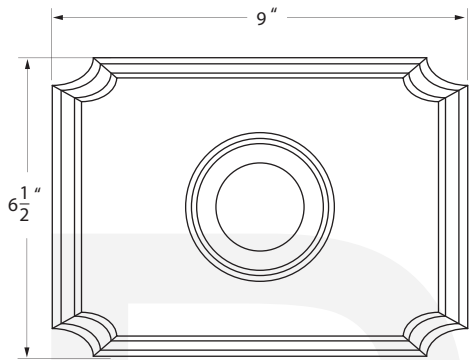
Shower arm PLxxLSA



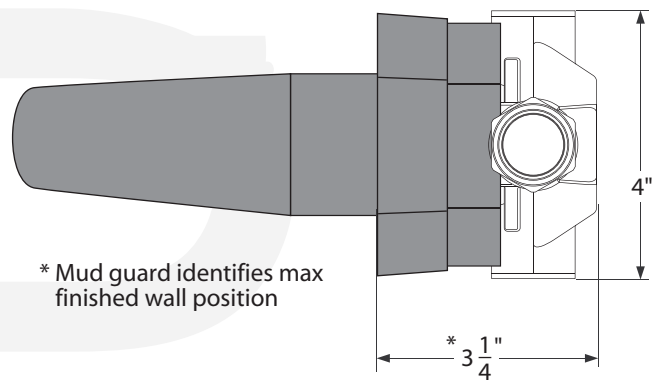
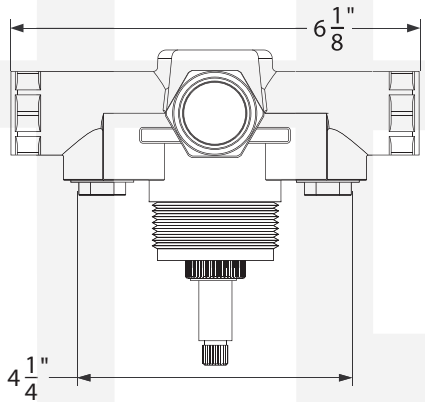
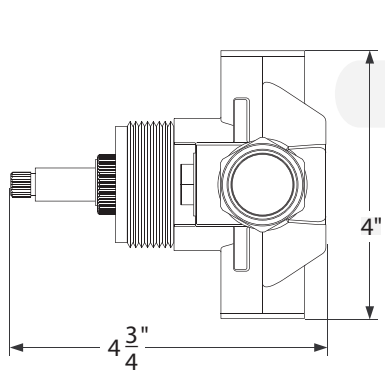
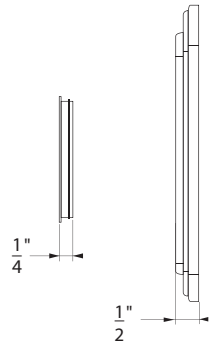
Shower head PLxxFSH



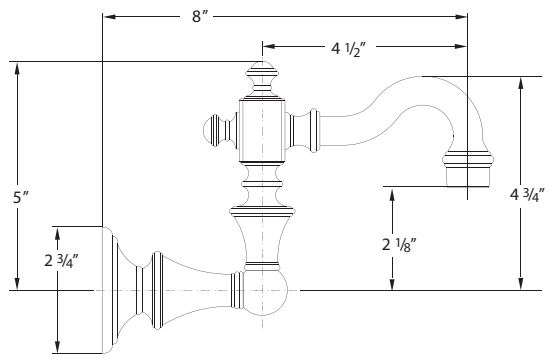
Monarch Lever handle



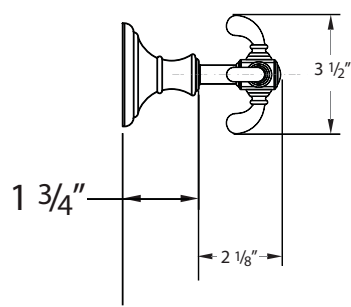
Face Plate PL9938-xx



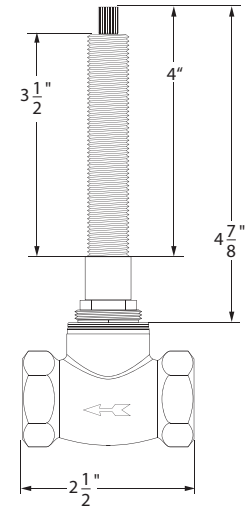
Thermostatic Valve PL8950



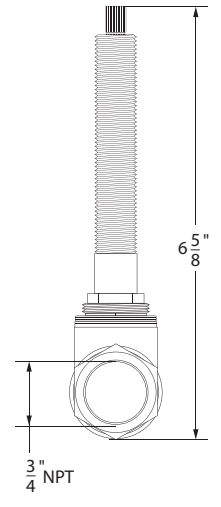
Tub Spout PLMSPxx



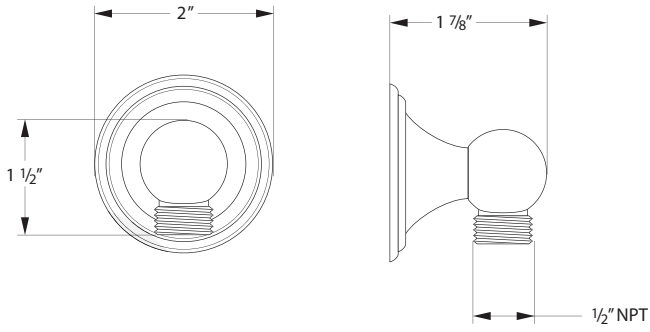
Handle Trim MDXxxS



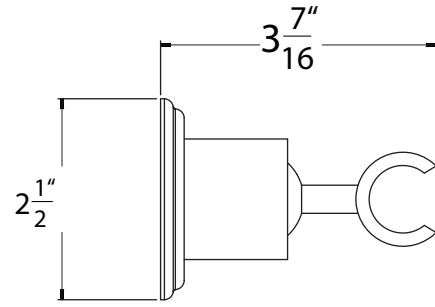
Stop Valve PL2000W



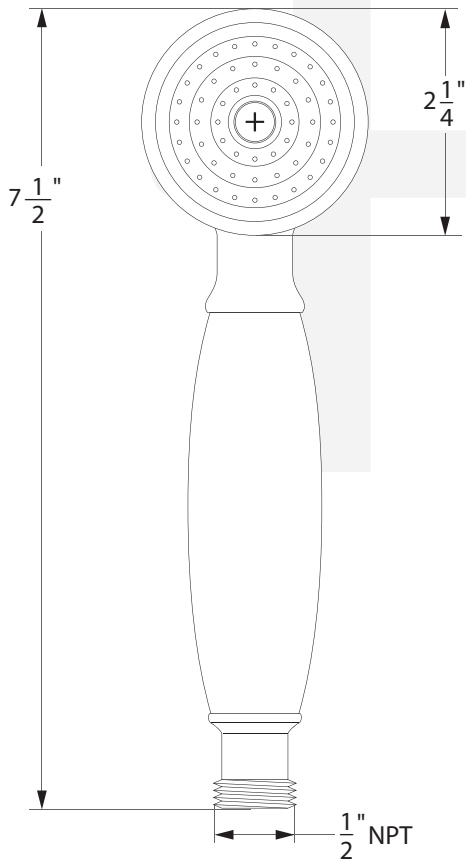
Item Number	Type	Date
MOTHxxPK2X	Deluxe Thermostatic Package	4/13/2011



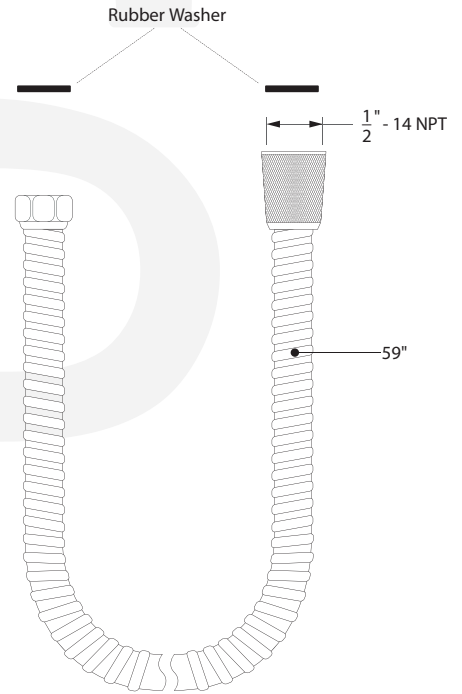
Supply Elbow 973R-xx



Wall Bracket PL701-xx



Handshower 114-XX



Hose 940-XX

Item Number	Type	Date
MOTHxxPK2X	Deluxe Thermostatic Package	4/13/2011