



MOTHxxPK1X - Basic Thermostatic package

Description

- Shower arm - (PLxxLSA)
- Brass Construction.
- Shower head - (PLxxSH8)
- 2.0 GPM ASME Compliant
- 1/2" IPS Conection
- Handle trim (2) - (MDXxxS)
- Brass Construction.
- Stop valves (2) - (PL2000W)
- 3/4" Fittings
- Ceramic disc cartridge.
- Valve trim - (MO8950-xx)
- Brass lever handle
- Square forged brass face plate
- Thermostatic valve - (PL8950)
- Super high flow 3/4" Thermostatic valve body
- Complies w/ ASSE 1016 standard
- Flow Rate : 20 GPM
- Made in ITALY
- IAPMO listed and approved UPC
- Tub spout (PLMMPxx)
- Brass Construction.

• MOTHxxPK1X



Standards

- Complies with IAPMO cUPC
- ASSE 1016
- ADA Accessibility Guidelines for Buildings and Facilities - 4.27.4 Controls and Mechanisms (lever handle only)

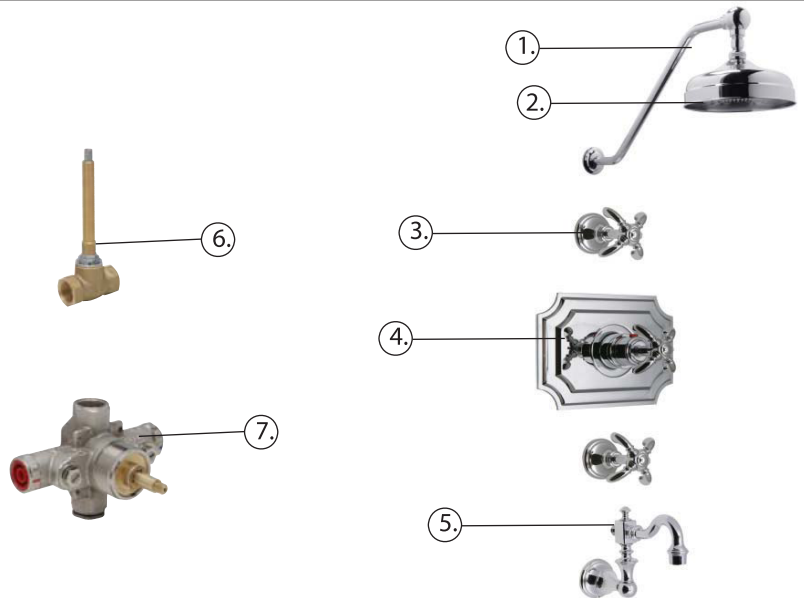


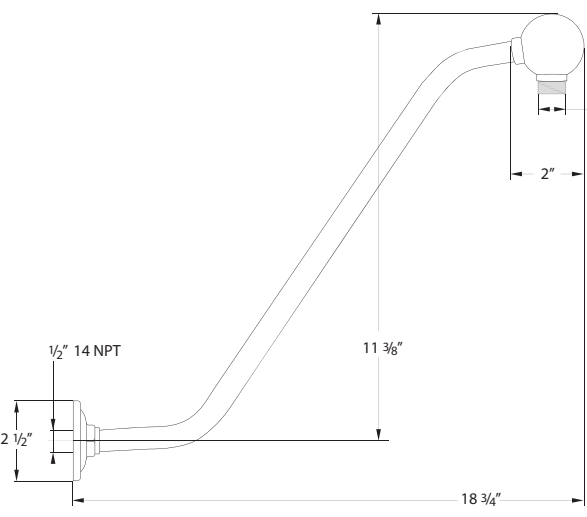
Colors / Finishes

- 01 - Chrome
- 20 - Antique Bronze
- 72 - PVD Satin Nickel
- xx - Special Finish (Please reference the Platinum Catalog)

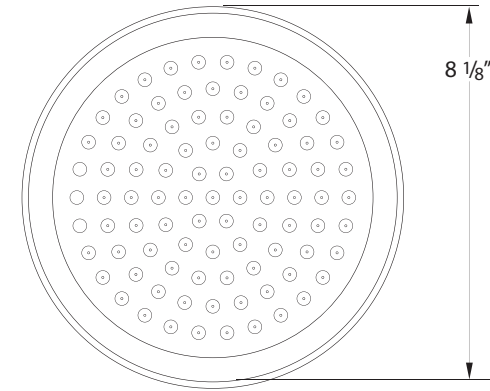
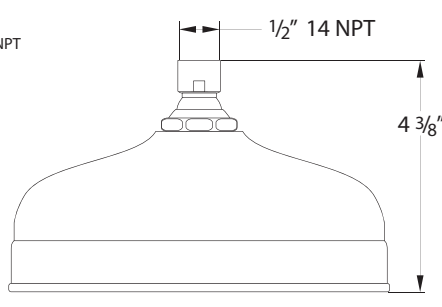
BREAK DOWN Component Parts List

NO.	Part No	Qty
01	PLXXLSA	1
02	PLXXSH8	1
03	MDX-XXS	2
04	MO8950-XX	1
05	PLMSPXX	1
06	PL2000W	2
07	PL8950-00	1

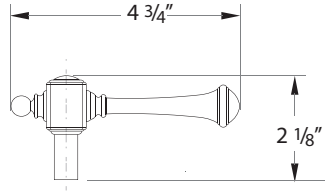




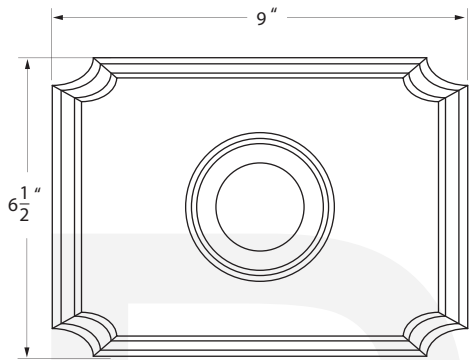
Shower arm PLxxLSA



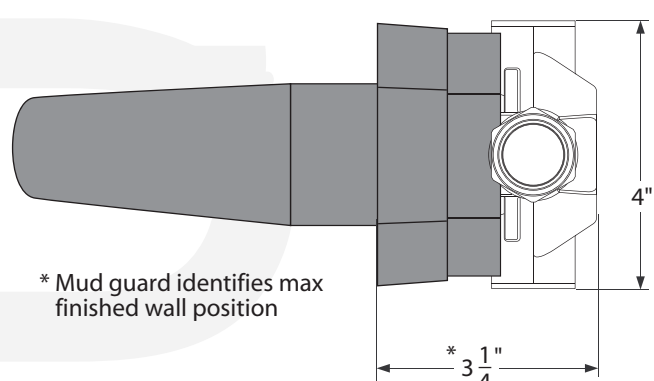
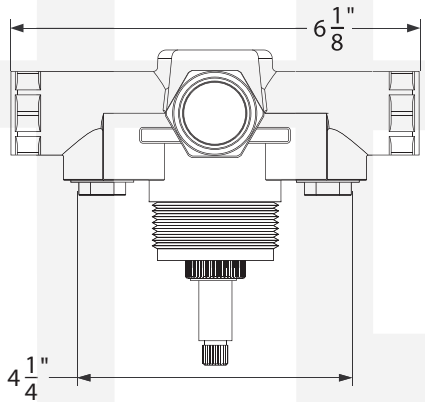
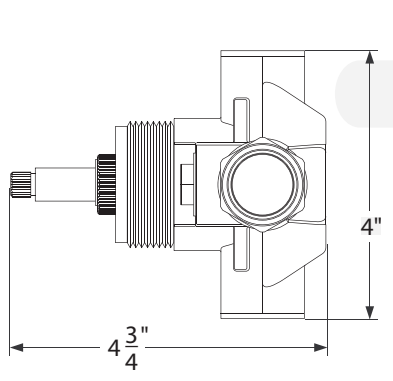
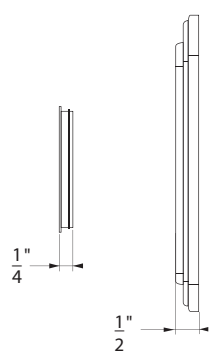
Shower head PLxxFSH



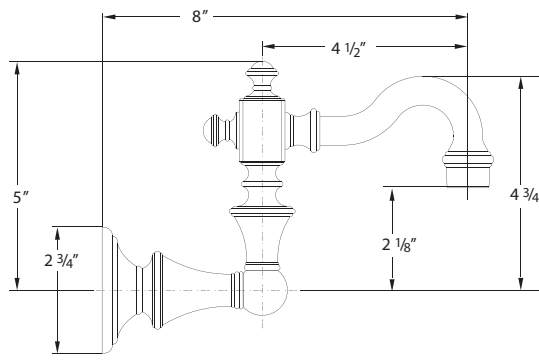
Monarch Lever handle



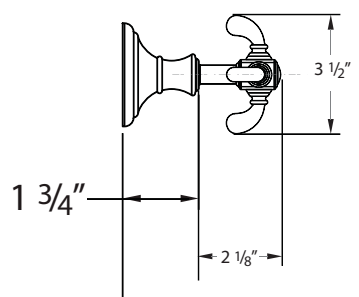
Face Plate PL9938-xx



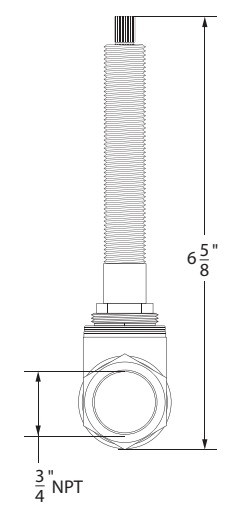
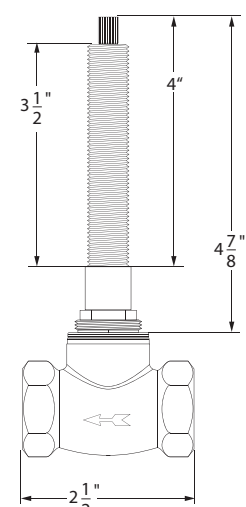
Thermostatic Valve PL8950



Tub Spout PLMSPxx



Handle Trim MDXxxS



Stop Valve PL2000W

Item Number	Type	Date
MOTHxxPK1X	Basic Thermostatic Package	4/13/2011