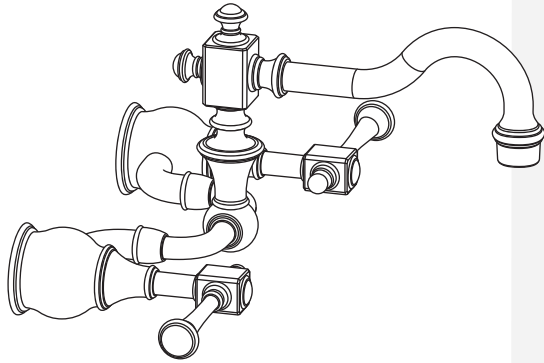


MOBWxxNNL / MOBWxxNDX Bridge Style Wall Mount Faucet



Before Your Installation

- Read all instructions carefully.
- Assemble all tools.
- Turn off main water supply before removing old faucet and fixtures.
- Clean surface before installing new faucet.
- Insert a cloth or stopper into drain to prevent small parts from getting lost.
- HB recommends that when cleaning you HB faucet to only use soap and warm water. The use of any chemical substances will void finish warranty

Tips for Successful Installations

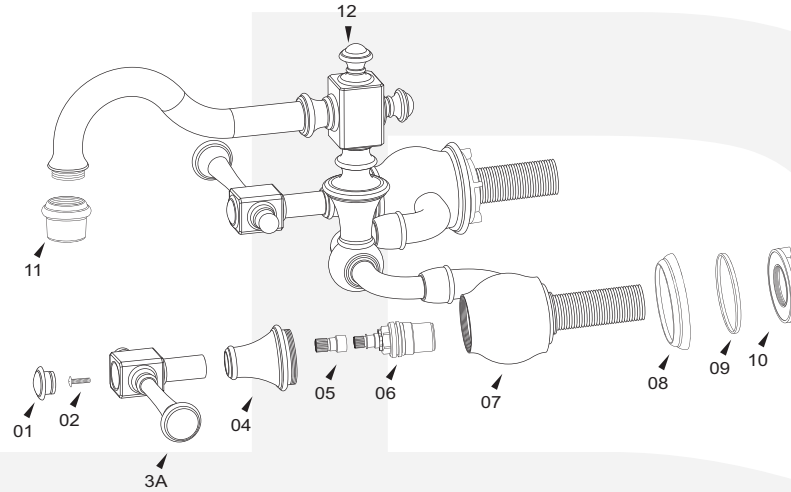
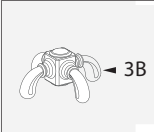
- Use joint compound or Teflon® tape on all threaded connections to prevent leaks.
- Use a soft cloth to protect the faucet's finish when using a wrench, pliers or other tools that could scratch the faucet.
- Tighten all hose connections by hand. Do not over tighten.
- Before turning main water supply back on, open several faucets around the house to prevent pressure from building up. Remove sprayer from faucet before turning on water. Flush drain for several minutes before replacing sprayer. DO NOT use joint compound or Teflon® tape to reconnect aerator.
- If you experience problems with the installation consult a professional plumber.

Help Info? Please call Toll-FREE customer service line at 1-800-888-6604 for additional assistance service.

11100 Dana Circle Cypress, CA 90630
Tel : 800-888-6604 | Fax : 888-455-5007
www.huntingtonbrass.com



Droop Handle



#	Parts	Qty
01	Handle cap	2
02	Handle set screw	2
3A	Level handle	2
3B	Droop handle	2
04	Retaining nut	2
05	Handle adaptor	2
06	Cartridge	2
07	Housing, cartridge	2
08	Spout base ring	2
09	Rubber Washer	2
10	Wing Nut	2
11	Aerator	1
12	Spout assembly	1

Specification Sheet

