

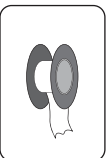
MOBWXXXNL MOBWXXNDX - Bridge Style Wall Mount Faucet

Faucet installation

Tools You Will Need



Adjustable Wrench



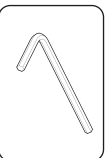
Pipe Tape



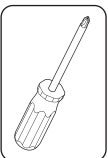
Silicone Caulking



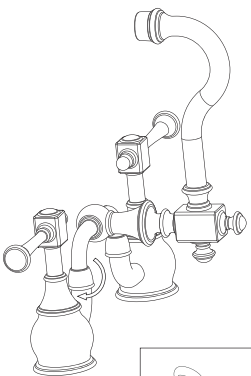
Groove joint plier



Allen Wrench

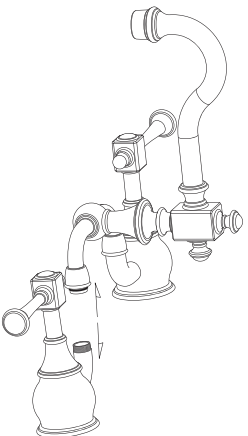


Phillips Screwdriver

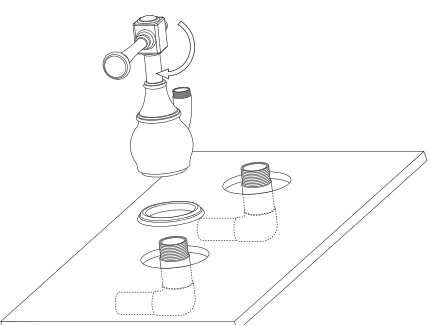


Droop Handle

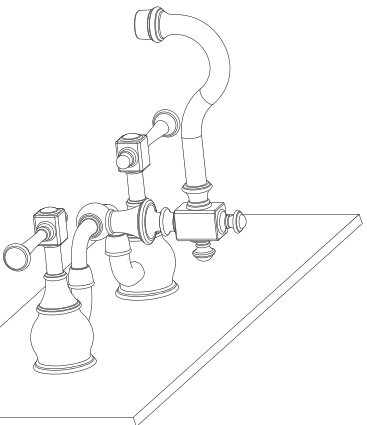
Installing the bridge wall mount. Prepare the rough in portion of the installation. Turn main water supply off. Screw the base off the main body by unscrewing the spout body connection point off the escutcheon arm.



Remove the housing from the spout assembly by carefully pulling it off the spout assembly



Apply tape sealant to the nipple coming from the wall. Place the spout escutcheon rings up against the wall. Tighten the housing to the nipple on the wall. Make sure that when the handle is at the desired location that it seats in the off position. Make sure that the base rings seat firm against the finish wall. If you are mounting the escutcheons to an uneven surface (such as the groud lines), apply a suitable sealant to the backside of the escutcheons. Verify the faucet assembly is properly aligned and level. If necessary, make adjustments by repositioning the escutcheons. Be careful not to damage the finish on the escutcheons when tightening.



Connect the spout assembly to the housing by tightening the housing to the arm on the spout assembly. Turn both handles clockwise to the OFF position. Verify that all connections are tight.

Flush the system. Take the aerator off. Turn on the main water supply. Check all connections for leaks. Repair as needed. Turn both handles to the ON position to run water through the faucet. Allow the water to run through the spout to remove any debris. Turn both handles to the OFF position. Place the aerator back on the spout.

Thank you for choosing Huntington Brass. Your new HB faucet is guaranteed to give you a life time of worry free, impeccable function.

