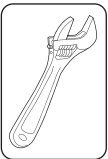


Tools You Will Need



Adjustable Wrench



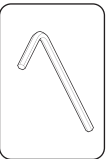
Pipe Tape



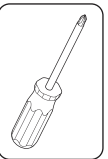
Silicone Caulking



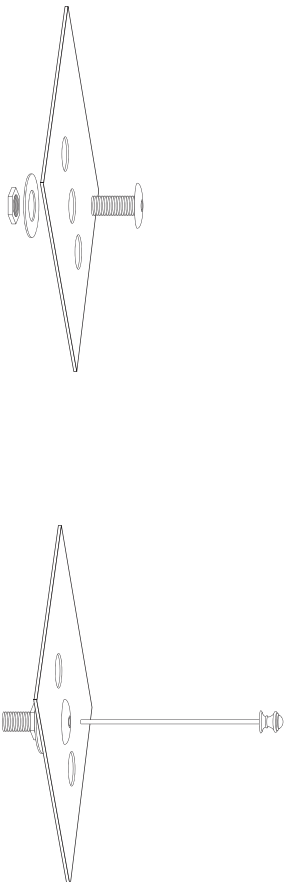
Groove joint plier



Allen Wrench



Phillips Screwdriver



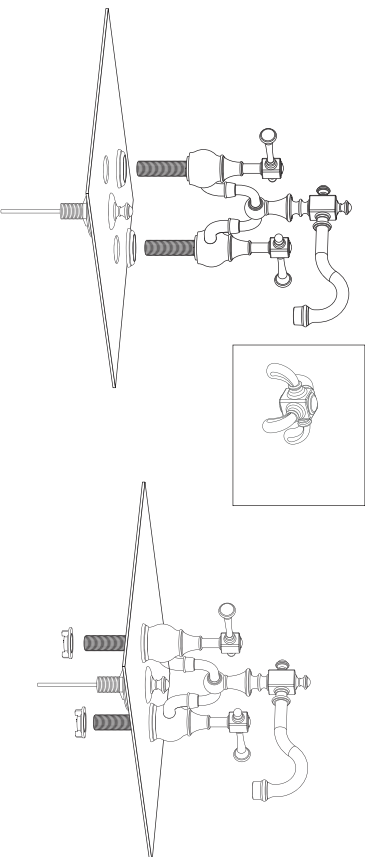
Install the pop-up housing:

From the top slide the pop-up housing through the center hole on the counter top. From underneath slide the plastic up through the threads on the housing. Then tighten up the wing nut to the threads on the housing. Make sure that the wing nut sits flush up against the bottom of the counter top. Slide the pop-up rod down through the hole on the housing. Follow pop up drain kit instructions.

Pop-up Assembly Installations

1. Slide lift rod through hole on housing.
 2. Insert pop-up plunger into drain. Hole in bottom of pop-up is to the back of the drain. Remove metal lock nut from hole in back of drain assembly. Remove spring clip from pivot rod.
 3. Slide locknut over long end of pivot rod and onto ball. Insert short end of pivot rod into opening in rear of drain assembly. Remember to apply tape of compound to threads. Tighten lock nut keeping ball in place. Make sure pivot rod can still move.
 4. Slide one end of spring clip onto pivot rod. Slide end of pivot rod through hole in left rod strap. Slide other end of spring clip onto pivot rod. Pinch spring clip closed.
 5. Insert bottom of lift rod into hole at top of lift rod strap. Tighten thumb screw.
 6. Connect drain assembly to main drain trap.
- Insert stopper in collar and hold with eye-screw hole facing back. If necessary, adjust stopper eye screw height by loosening lock nut and rotating counter-clockwise. Tighten lock nut. Fit cone washer and nut to ball rod. Be sure that the two ball joint plastic washers are on both sides of the ball rod when installing. Screw on ball rod nut (do not overtighten). Ball rod must move up & down freely.

Droop Handle

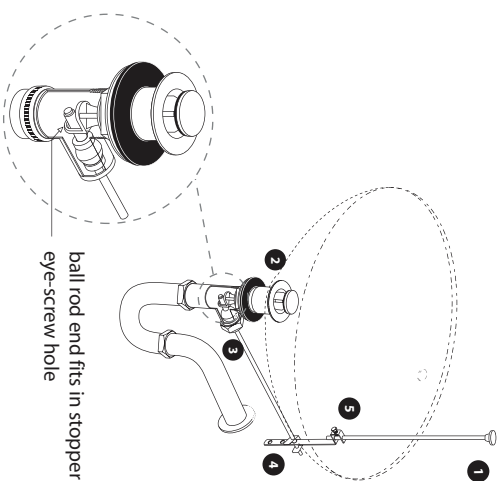


Install faucet:

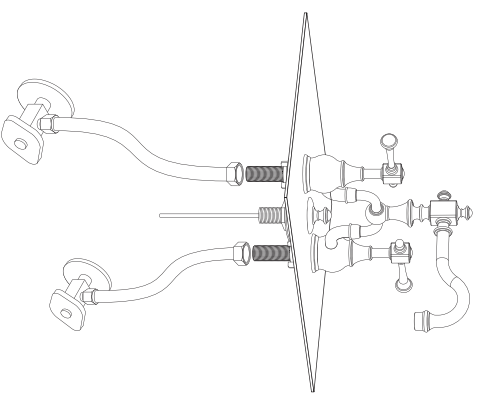
Place the spout base rings on top of the counter top holes. Slide the threaded stem on the faucet down the counter top holes, make sure the base rings sit between the faucet and the counter top.

With the faucet now in place:

Hand tighten the wing nuts to the bottom of the threaded stems from the faucet. Make sure that the wing nuts sit flush up against the counter top. Make sure that the spout base rings sit firm down on the counter top. Adjust as needed.



ball rod end fits in stopper eye-screw hole



Connect the water supply lines:

Finally connect water supply lines from the house the spout body. Using the steel braided hoses not supplied, connect one end first to the bottom of the spout valve bodies. End hex nut on the hoses should be hand tightened plus and extra 1/2 turn with a wrench. Do not over tighten the hose connections. Connect the water lines to appropriate hot and cold line from the house.

Flush the system:

You will need to flush and test the system. Unscrew the aerator from the spout. Turn the main water supply back on and turn on both the hot and cold valves. Let the water run for about 2-3 minutes. Check above and below the deck surface and at all major connection points for leakage.

Thank you for choosing Huntington Brass. Your new HB faucet is guaranteed to give you a life time of worry free, impeccable function.



Thank you for using
Huntington Brass products