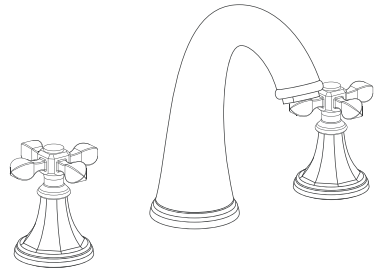


### MNWSxxERL / MNWSxxERX / MNWSxxOSX Wide Spread Lavatory Faucet



#### Before Your Installation

- Read all instructions carefully.
- Assemble all tools.
- Turn off main water supply before removing old faucet and fixtures.
- Clean surface before installing new faucet.
- Insert a cloth or stopper into drain to prevent small parts from getting lost.
- HB recommends that when cleaning you HB faucet to only use soap and warm water. The use of any chemical substances will void finish warranty

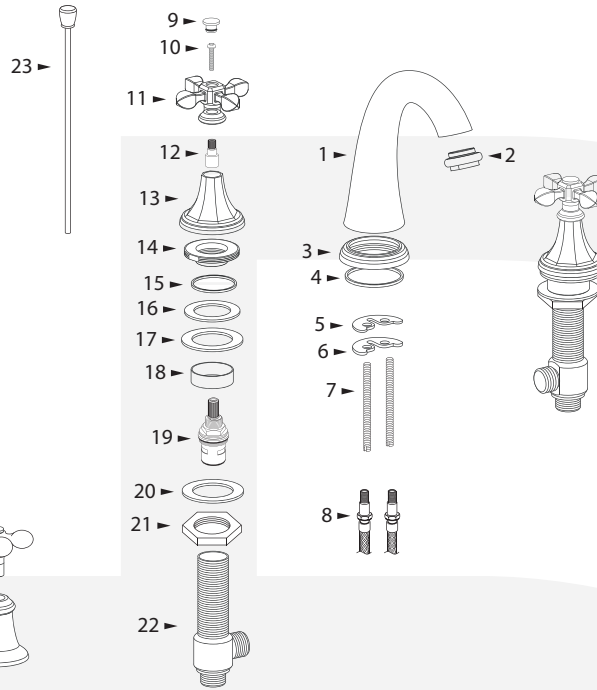
#### Tips for Successful Installations

- Use joint compound or Teflon® tape on all threaded connections to prevent leaks.
- Use a soft cloth to protect the faucet's finish when using a wrench, pliers or other tools that could scratch the faucet.
- Tighten all hose connections by hand. Do not over tighten.
- Before turning main water supply back on, open several faucets around the house to prevent pressure from building up. Remove sprayer from faucet before turning on water. Flush drain for several minutes before replacing sprayer. DO NOT use joint compound or Teflon® tape to reconnect aerator.
- If you experience problems with the installation consult a professional plumber.

Help Info? Please call Toll-FREE customer service line at 1-800-888-6604 for additional assistance service.

Requiere asistencia? Favor de llamar a nuestro servicio a clientes sin costo al 1-800-888-6604 para asistencia adicional o servicio.

11100 Dana Circle Cypress, CA 90630  
Tel : 800-888-6604 | Fax : 888-455-5007  
www.huntingtonbrass.com



#	Parts	Qty
01	Spout	1
02	Aerator	1
03	Spout flange	1
04	Washer	1
05	Washer	1
06	Metal plate	1
07	Threaded rod	1
08	Inlet hoses	2
09	Handle cap	2
10	Screw	2
11	Handle	2
12	Adapter	2
13	Escutcheon	2
14	Adapter nut	2
15	Rubber washer	2
16	Metal washer	2
17	Washer	2
18	Adapter	2
19	Cartridge	2
20	Washer	2
21	Mounting Nut	2
22	Valve Body	2
23	Pop-up rod	1

#### Specification Sheet

