



MNTHxxPK2 - Deluxe Thermostatic package

Description

- Shower arm - (1506-xx)
- Brass Construction.
- Shower head - (138-Axx)
- 2.0 GPM ASME Compliant
- 1/2" IPS Conection
- Handle trim (2) - (ERLxx)
- Brass Construction.
- Stop valves (2) - (PL2000W)
- 3/4" Fittings
- Ceramic disc cartridge.
- Valve trim - (MN8950-xx)
- Brass lever handle
- Square forged brass face plate
- Thermostatic valve - (PL8950-00)
- Super high flow 3/4" Thermostatic valve body
- Complies w/ ASSE 1016 standard
- Flow Rate : 20 GPM
- Made in ITALY
- IAPMO listed and approved UPC
- Tub spout (PLRSPxx)
- Brass Construction.
- Handshower (114-xx)
- Brass Construction.
- Dual check valve.
- 2.0 GPM ASME Compliant
- Wall Bracket (PL701-xx)
- Brass swivel wall bracket
- Ball joint.
- Hose (940-xx)
- 59" Metal Hose.
- Spiral Construction.
- Cone nut with o-ring.
- Supply Elbow (973R-xx)
- 1/2" NPT Connection to wall.
- Standard 1/2" IPS hose connection.
- Solid Brass construction.

• MNTHxxPK2



Standards

- Complies with IAPMO cUPC
- Complies with ASSE 1016
- ADA Accessibility Guidelines for Buildings and Facilities - 4.27.4 Controls and Mechanisms (lever handle only)

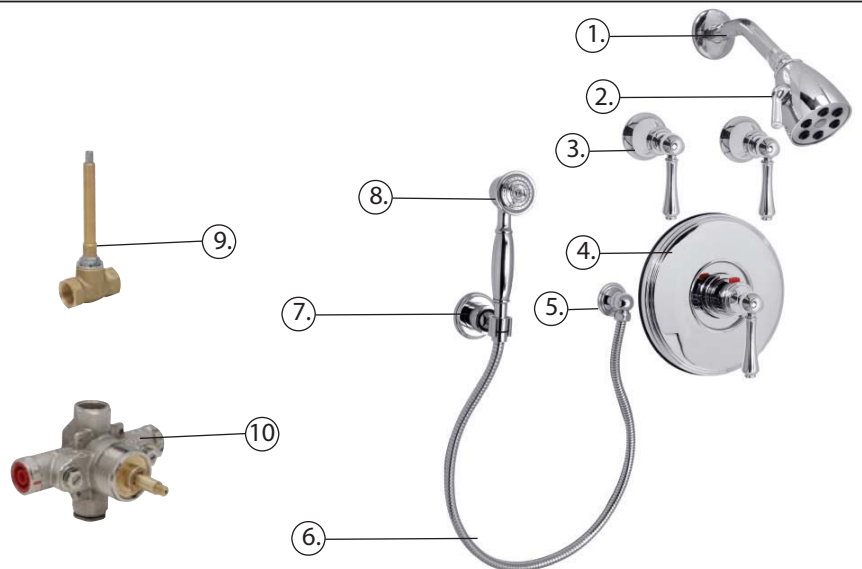


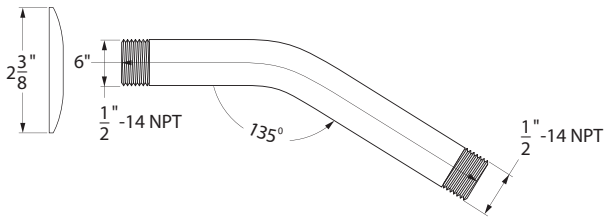
Colors / Finishes

- 01 - Chrome
- 12 - Satin Nickel
- xx - Special Finish (Please reference the Platinum Catalog)

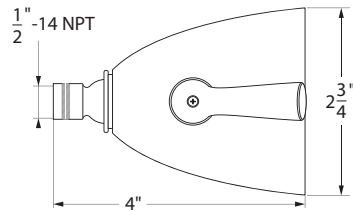
BREAK DOWN Component Parts List

| NO. | Part No | Qty |
|-----|-----------|-----|
| 01 | 1506-XX | 1 |
| 02 | 138-AXX | 1 |
| 03 | ERL-XX | 2 |
| 04 | MN8950-XX | 1 |
| 05 | 973R-XX | 1 |
| 06 | 940-XX | 1 |
| 07 | PL701-XX | 1 |
| 08 | 114-XX | 1 |
| 09 | PL2000W | 2 |
| 10 | PL8950-00 | 1 |
| | | |
| | | |
| | | |

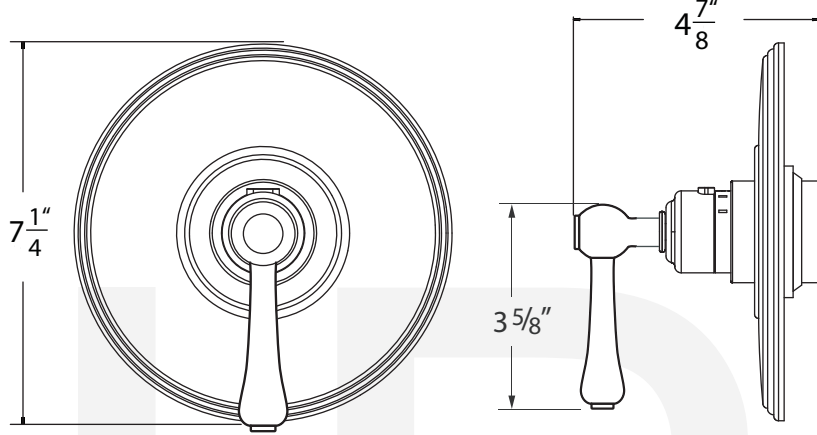




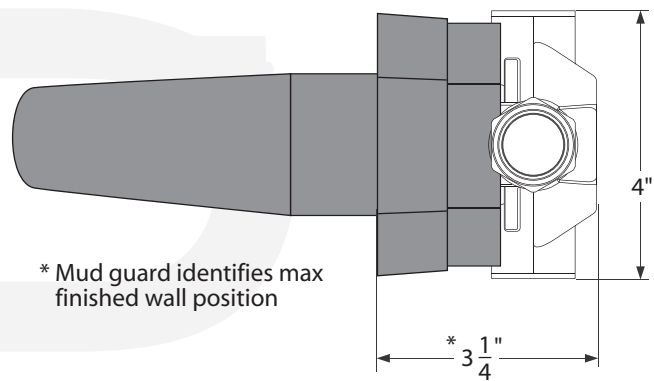
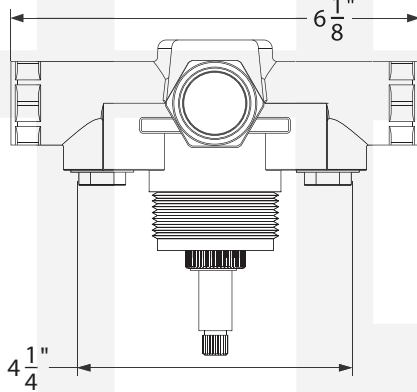
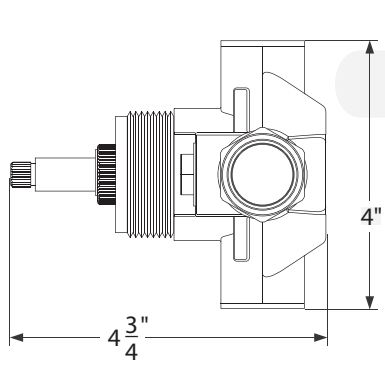
Shower arm 1506-xx



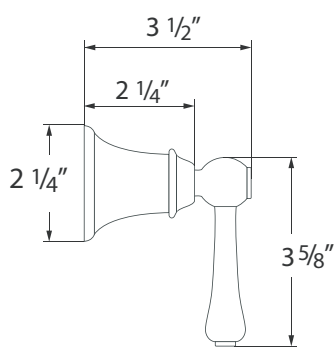
Shower head 138-Axx



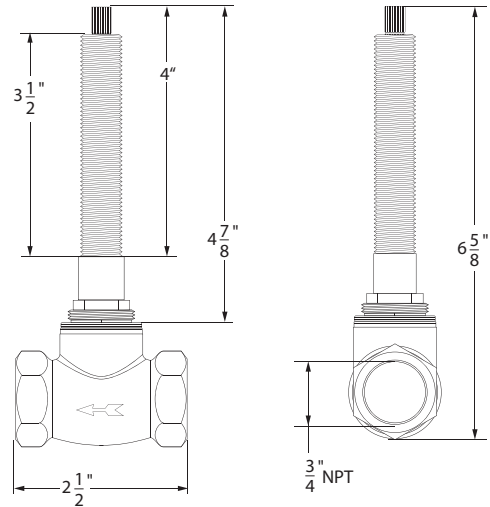
Valve Trim MN8950-xx



Thermostatic Valve PL8950

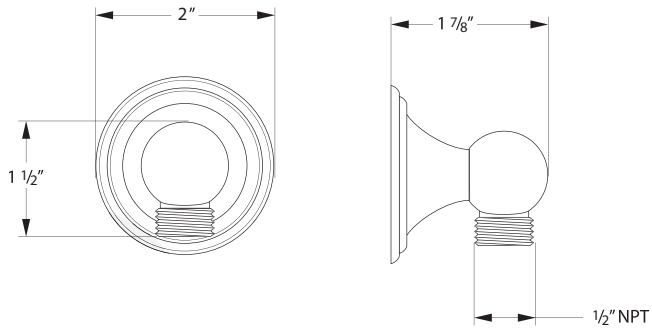


Handle Trim ERL-xx

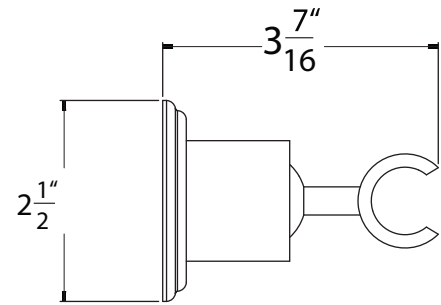


Stop Valve PL2000W

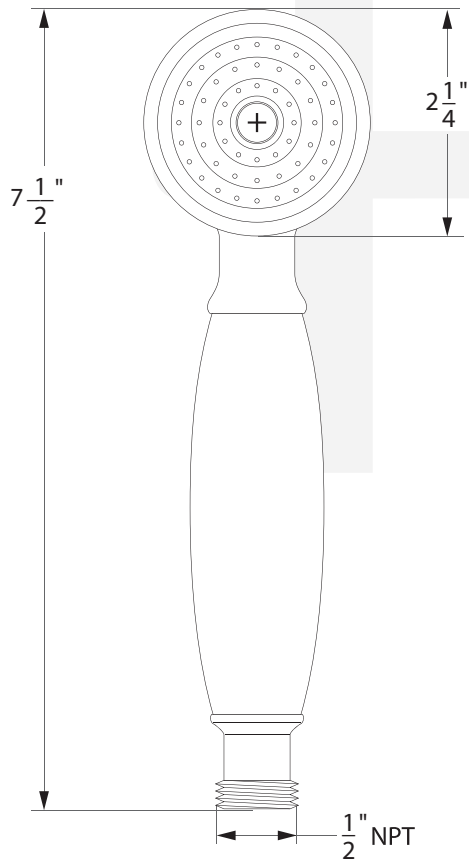
| Item Number | Type | Date |
|-------------|-----------------------------|-----------|
| MNTHxxPK2 | Deluxe Thermostatic Package | 9/12/2011 |



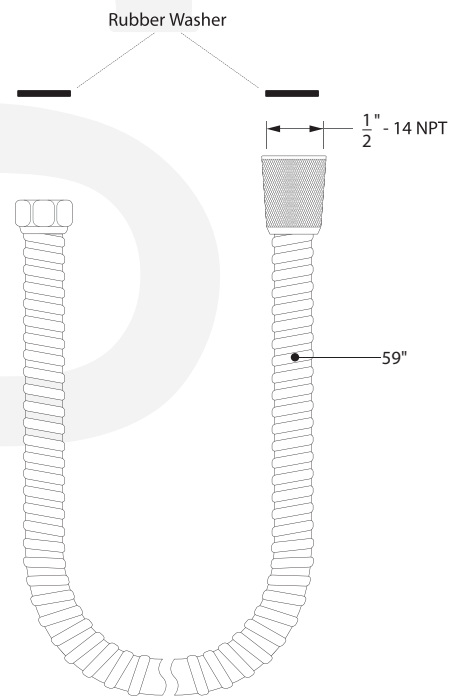
Supply Elbow 973R-xx



Wall Bracket PL701-xx



Handshower 114-XX



Hose 940-XX

| Item Number | Type | Date |
|-------------|-----------------------------|-----------|
| MNTHxxPK2 | Deluxe Thermostatic Package | 9/12/2011 |