



TRIM KIT - Shower Only

Description

- Shower trim kit
- Brass lever handles and face plate

Standards

- ASME A112.18.1
- Listed IAPMO / UPC & CUPC
- ADA Accessibility Guidelines for Buildings and Facilities - 4.27.4 Controls and Mechanisms (lever handle only)

Colors / Finishes

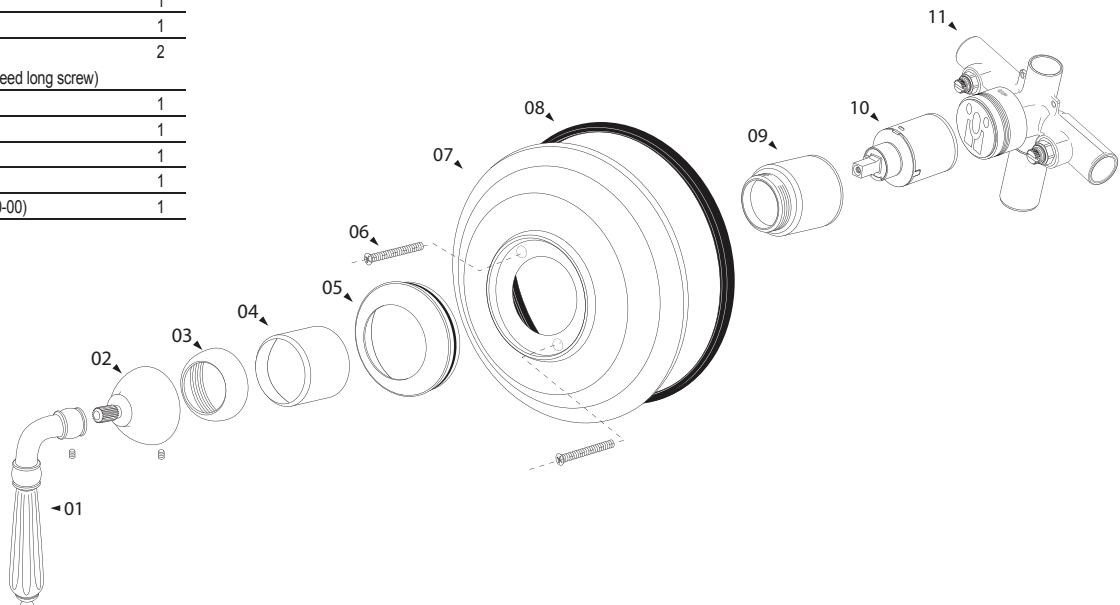
- 01 - Chrome
- 12 - Satin Nickel
- 20 - Antique Bronze
- xx - Special Finish (Please reference Platinum Catalog)



BREAK DOWN

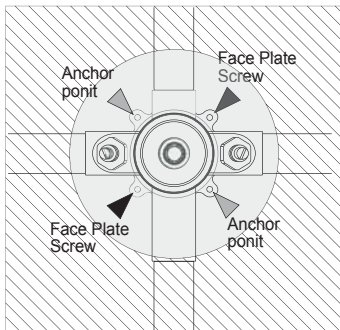
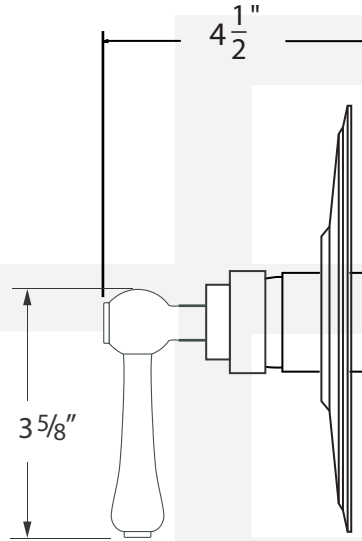
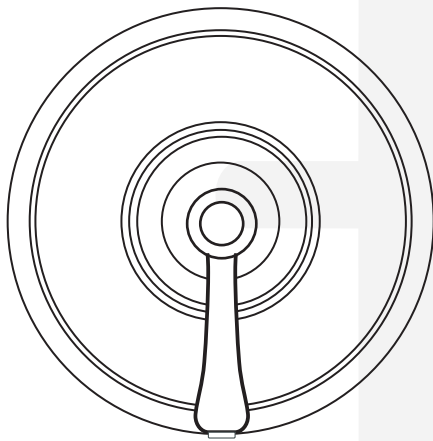
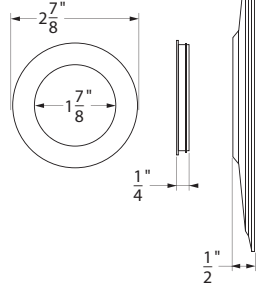
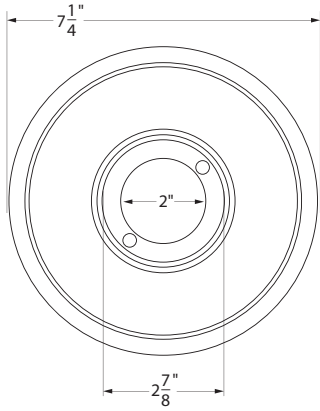
Component Parts List - PL8900-00 (Shower Only without diverter)

#	PART NAME	QTY
1	HANDLE OPTION : DESIGNS ON TRIM STYLES	1
2	ADAPTOR (PLxxHA-R / PLxxHA-F) (Note : FAVARI, MONARCH ,INTRIGUE, ATLANTIS does not need adaptor)	1
3	LOCK CAP (PL008-xx)	1
4	FINISHED SLEEVE (PL007-xx)	1
5	FACE PLATE HOLE COVER	1
6	LONG SCREW (FA53103-00) (Note : FAVARI Series does not need long screw)	2
7	FACE PLATE	1
8	RUBBER RING	1
9	RAW SLEEVE	1
10	CARTRIDGE (ST8000)	1
11	SHOWER ONLY VALVE (PL8900-00)	1

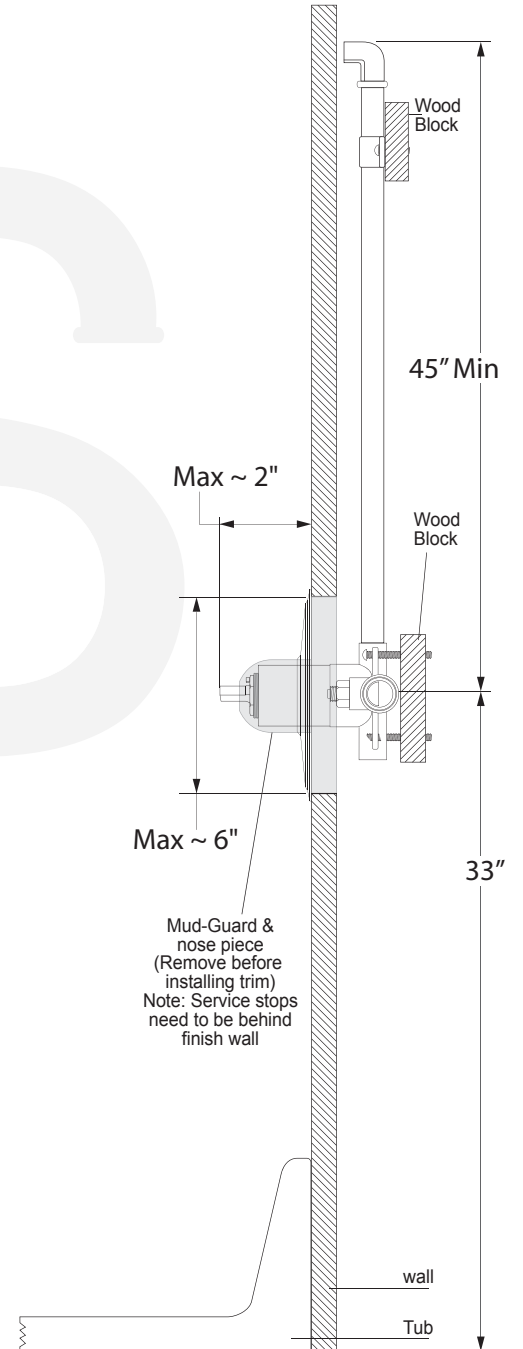
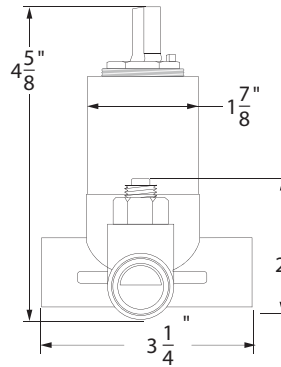


SPECIFIED MODEL

Face Plate PL9923-xx



For use with PL8900-00 Valve - Valve not included



Item Number	Type	Date
MN8900-xx	Trim Kit	3/02/09