



MMTHxxPK1 - Basic Thermostatic package

Description

- Shower arm - (PLx xASA)
- Brass Construction.
- Shower head - (234-XX)
- 2.0 GPM ASME Compliant
- 1/2" IPS Conection
- Handle trim (2) - (MMIxxS)
- Brass Construction.
- Stop valves (2) - (PL2000W)
- 3/4" Fittings
- Ceramic disc cartridge.
- Valve trim - (MM8950-xx)
- Brass lever handle
- Square forged brass face plate
- Thermostatic valve - (PL8950-00)
- Super high flow 3/4" Thermostatic valve body
- Complies w/ ASSE 1016 standard
- Flow Rate : 20 GPM
- Made in ITALY
- IAPMO listed and approved UPC
- Tub spout (PLMMPxx)
- Brass Construction.

• MMTHxxPK1



Standards

- Complies with IAPMO cUPC
- ASSE 1016
- ADA Accessibility Guidelines for Buildings and Facilities - 4.27.4 Controls and Mechanisms (lever handle only)

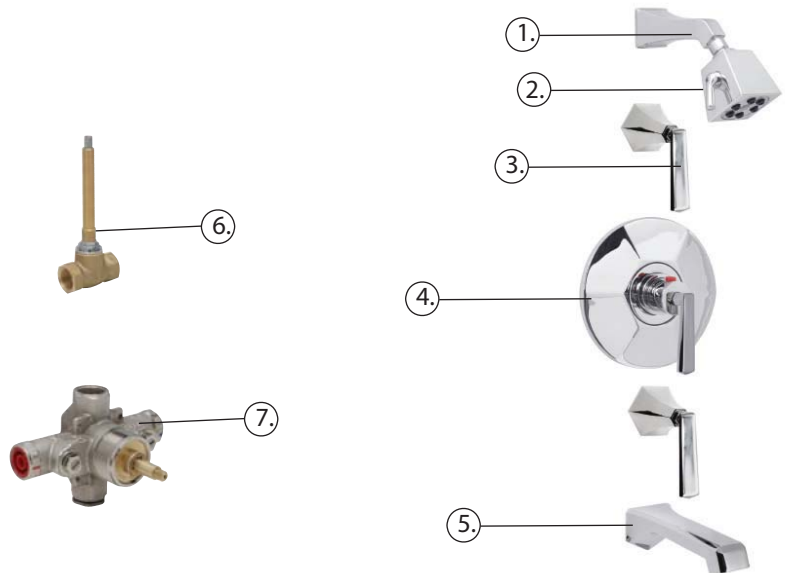


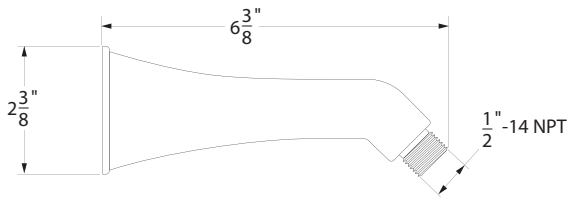
Colors / Finishes

- 01 - Chrome
- 72 - PVD Satin Nickel
- xx - Special Finish (Please reference the Platinum Catalog)

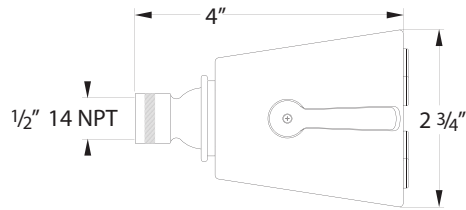
BREAK DOWN Component Parts List

| NO. | Part No | Qty |
|-----|-----------|-----|
| 01 | PLXXASA | 1 |
| 02 | 234-XX | 1 |
| 03 | MMI-XXS | 2 |
| 04 | MM8950-XX | 1 |
| 05 | PLMMPXX | 1 |
| 06 | PL2000W | 2 |
| 07 | PL8950-00 | 1 |
| | | |
| | | |
| | | |
| | | |
| | | |
| | | |

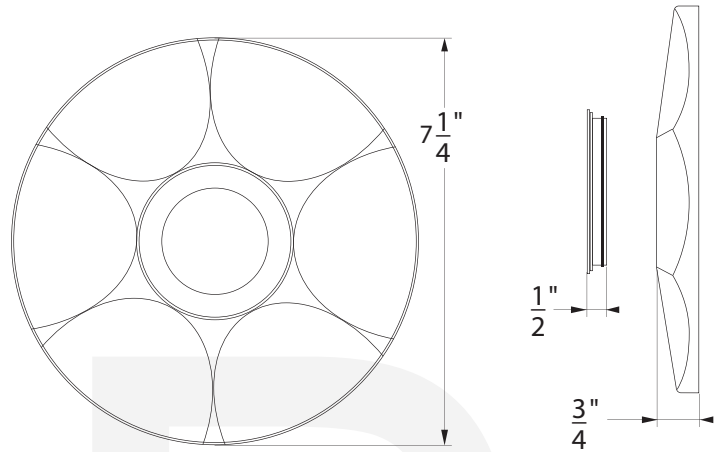




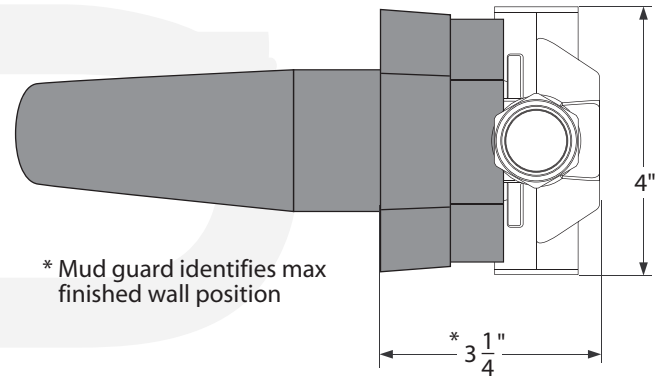
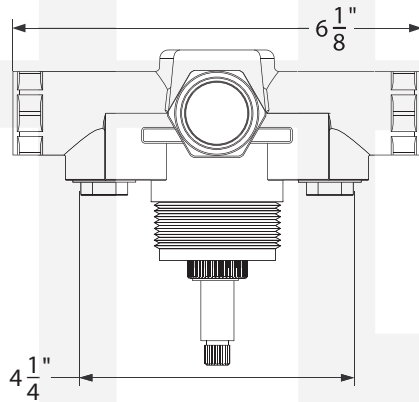
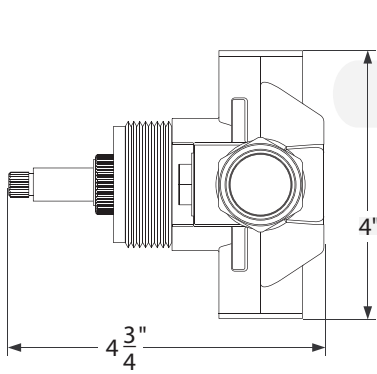
Shower arm PLxxASA



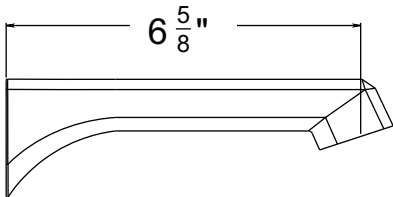
Shower head 234-xx



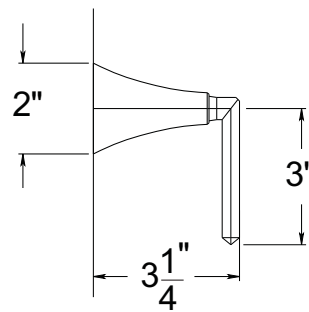
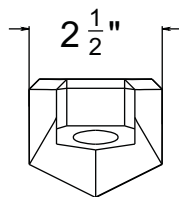
Face Plate PL9966-xx



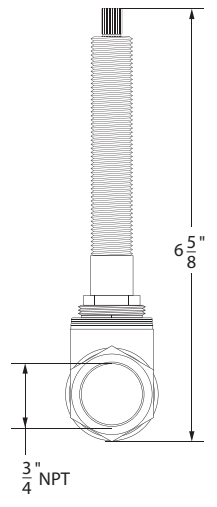
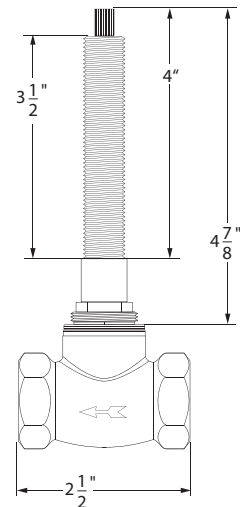
Thermostatic Valve PL8950



Tub Spout PLMMPxx



Handle Trim MMIxxS



Stop Valve PL2000W

| Item Number | Type | Date |
|-------------|----------------------------|-----------|
| MMTHxxPK1 | Basic Thermostatic Package | 4/13/2011 |