



MM8910-xx - McMillan valve trim

Description

- Valve trim kit.
- Lever handle.
- For use with PL8910-00 tub and shower valve

Standards

- cUPC
- ADA Accessibility Guidelines for Buildings and Facilities - 4.27.4 Controls and Mechanisms (lever handle only)

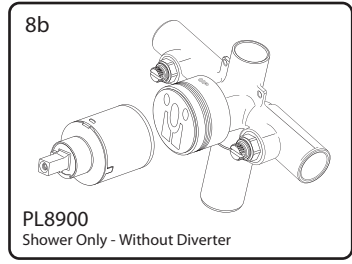
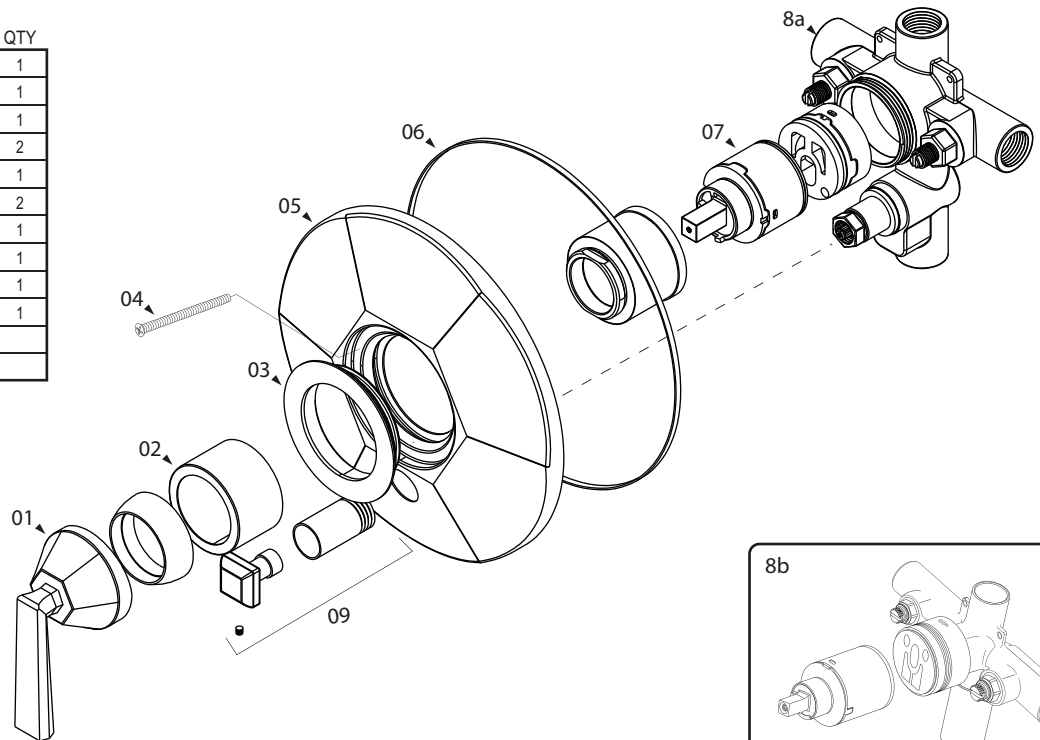
Colors / Finishes

- 01 - Chrome
- 72 - Satin Nickel (PVD)
- xx - Reference the current Platinum catalog for special finishes.

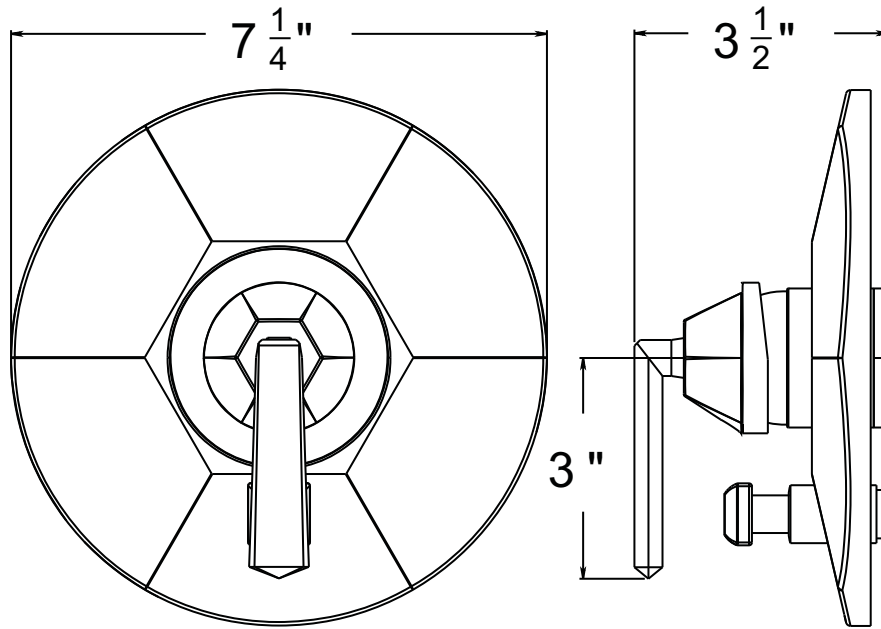


BREAK DOWN Component Parts List

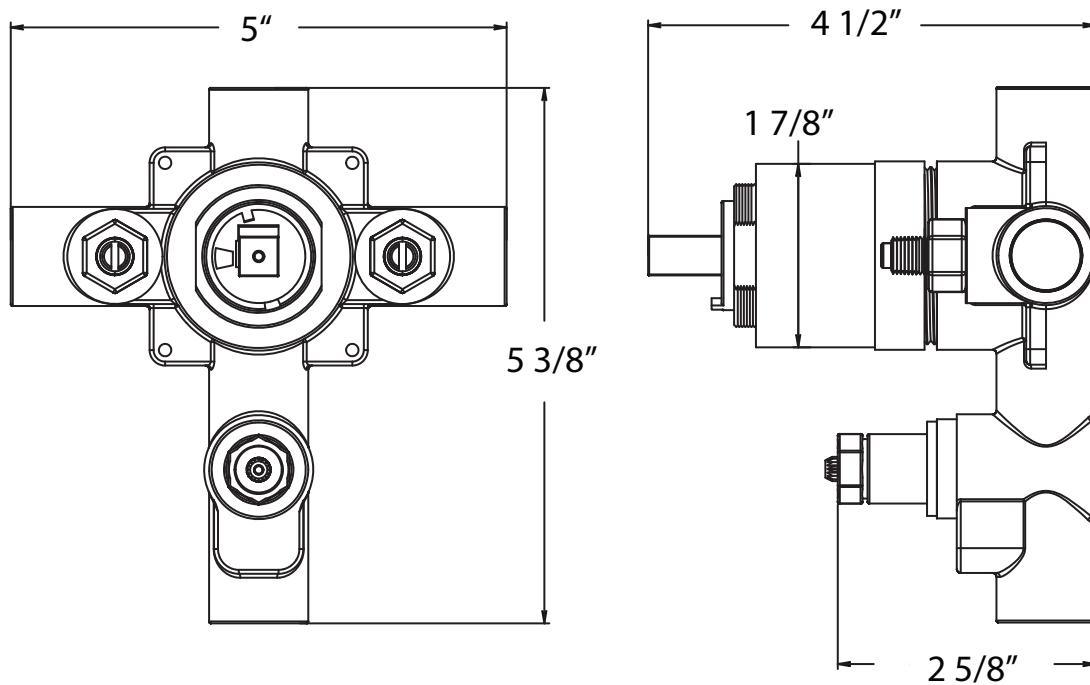
#	PART NAME	QTY
1	MM LEVER HANDLE	1
2	RETAINING SLEEVE	1
3	COVER RING	1
4	LONG SCREW	2
5	FACE PLATE	1
6	RUBBER RING	2
7	CARTRIDGE	1
8a	VALVE (TUB & SHOWER) - SOLD SEPARATELY	1
8b	VALVE (SHOWER ONLY) - SOLD SEPARATELY	1
9	POSITIVE DIVERTER ASSEMBLY	1



SPECIFIED MODEL - MM8910-xx



MM8910-xx Shower valve trim



PL8910-xx VALVE (TUB & SHOWER) - SOLD SEPARATELY

Item Number	Type	Date
MM8910-xx	Trim Kit	8/30/11