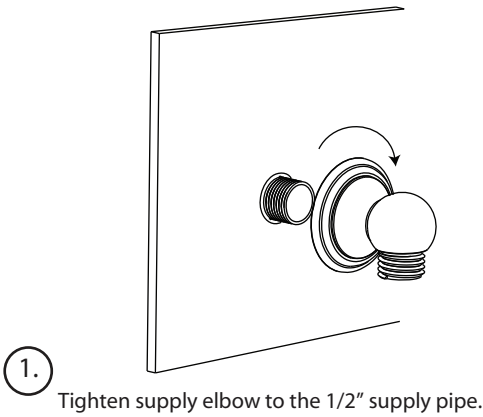
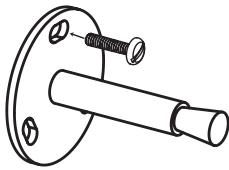


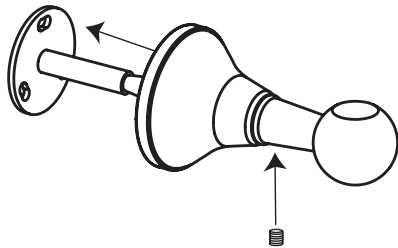
IMPORTANT: Make sure to turn off the main water supply before you begin



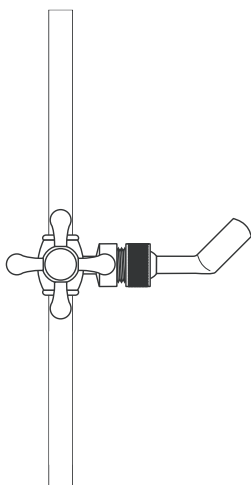
1. Tighten supply elbow to the 1/2" supply pipe.



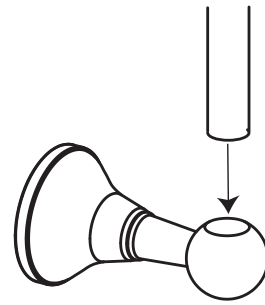
2. Measure complete slide bar from center of the escutcheon to the center of the other escutcheon. Transfer those dimension to the mounting surface. Attach mounting brackets to the wall.



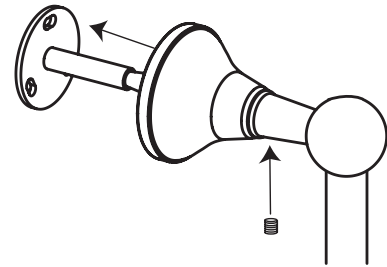
3. Install escutcheon and trim ring (if available) to the lower mounting bracket. Use set screw tighten escutcheon to post of mounting bracket.



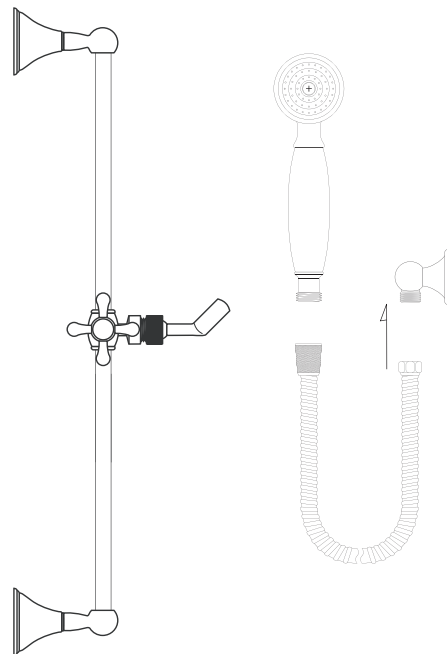
4. Slide handshower holder onto slide bar.



5. Install slidebar into lower escutcheon. Make sure notch in slidebar fits into the pin in the escutcheon. This will prevent any rotation of the slidebar.



6. Install assembly to the upper mounting bracket. Make sure notch in slidebar fits into the pin in the escutcheon.



7. Install slidebar into upper escutcheon and trim ring (if available).

Install hose to handshower and supply elbow.

