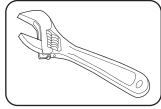
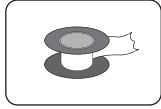


Tools You Will Need



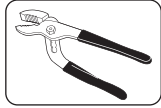
Adjustable Wrench



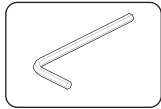
Pipe Tape



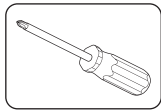
Silicone Caulking



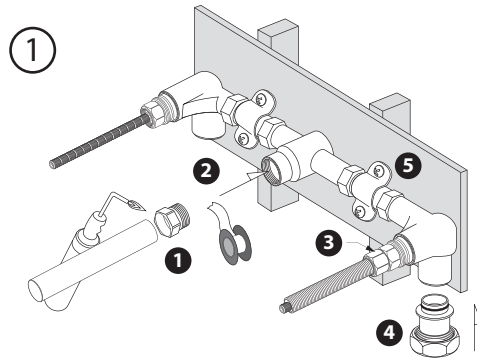
Groove joint plier



Allen Wrench

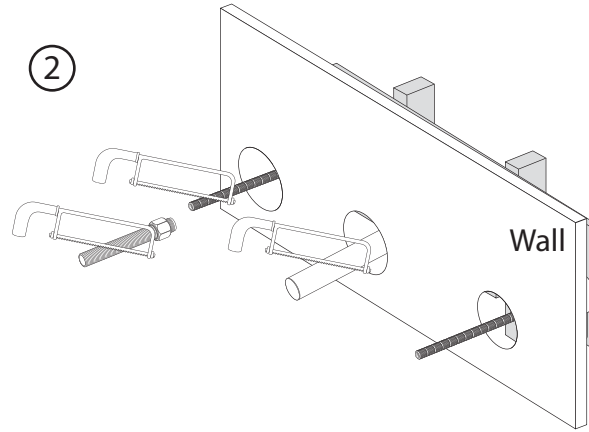


Phillips Screwdriver



Install the valve body:

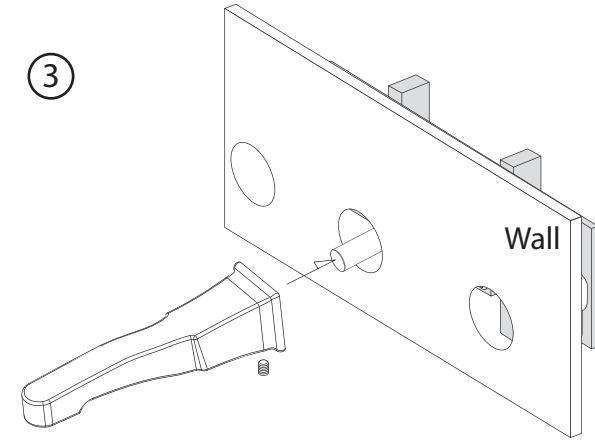
- 1) Before installing the valve body into the wall, first, solder the adaptor nut to the copper line, then install the spout nipple into the center connection of the valve body. Use Teflon seal tape when installing.
- 2) Next, Calculate properly the dimension of the finished wall. When the valve is installed the spout nipple must exceed the wall by at least 1 1/2". The nipple can obviously stick past the wall more that 1 1/2" however the tensioning nut of the cartridge **can not** exceed the finished wall surface. Make sure that details of the installation & application are clear before beginning installation, and install the valve body at the proper depth in the wall. HB will not be responsible for installation issues due to negligence. For any questions please see specification on front side of installations and/or call HB technical support.
- 3) After identifying the proper depth at which the valve should be installed. Block the valve body with a piece of wood and use brackets around the small portion of the valve to hold it in place.
- 4) After securing the valve body in the wall then (optional) remove the compression fittings from the inlets of both the hot and cold sides of the valve body. These fitting have a female 1/2" NPT connection for the water supply lines to be installed. Install the water supply as needed using Teflon seal tape on all connection and re-connection the compression fitting to the valve body. It may be possible to connect the water supply line with out removing the fittings from the valve body.



Installing the handle trim:

To install the handle trim first you must cut the stem and thread to the proper length for the handle trim to be installed. See the diagram 2.1a below for the INWmxxIIL handle trim specifications. Measure each dimension from the finished wall. After cutting each piece as specified some filing may be needed to finish the threaded adaptor and the broach stem.

Next, install the handle trim onto the cartridge stem. For the Intrigue handle trim you must first set the handle adaptor onto the stem thread. Screw down tight enough such that the handle adaptor can not be moved by hand(see diagram 2.1b). Then take the handle base and slide it on to the handle adaptor make sure that the pin lines up with the hole in the flange. The handle tip will need to be horizontal in the off position when set in place. The set screw on the escutcheon should face downward. Tighten the set screw locking the handle base in place.



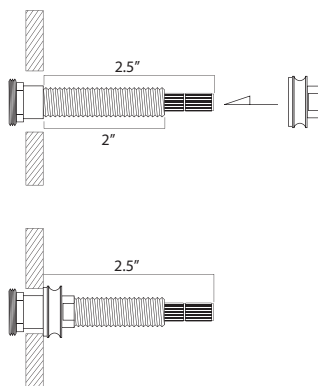
Install the spout:

The HB slip style spout application is designed for ease of installation. If the valve body is installed according to all of the previously mentioned specifications, to install the spout you need to do is slide the spout onto the slip joint nipple until the back of the spout touches the wall. Locate the set screw on the bottom of the spout. Making sure that the spout is in the desired position tighten the set screw with the allen key provided. Make sure to tighten enough so that the spout is secure, yet do not over tighten.

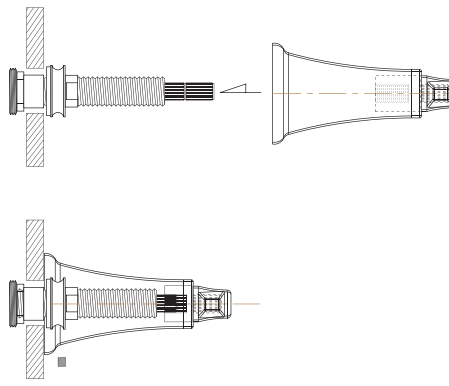
Finally, once installation is complete, remove the aerator from the spout, turn on the water supply, turn on both the hot and cold valves and let the water run for 2-3 minutes to flush the lines. While water is running check for any leakage in all major connection areas. Turn off the water and replace the aerator.

You are now ready to begin enjoying you HB faucet.

Dia. 2.1a



Dia. 2.1b



Dia. 3.1a

