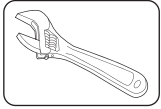
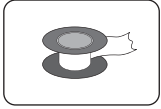


## Tools You Will Need



Adjustable Wrench



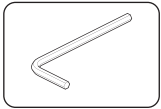
Pipe Tape



Silicone Caulking

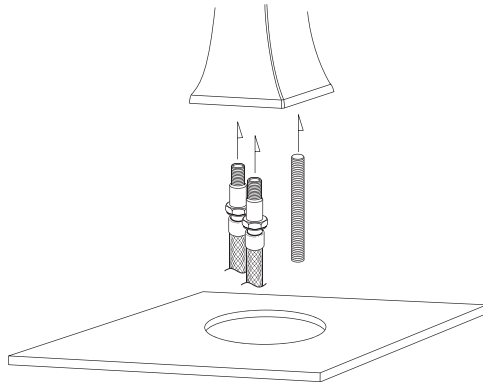


Groove joint plier



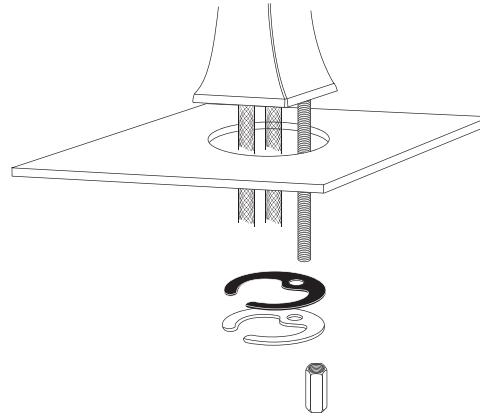
Allen Wrench

①



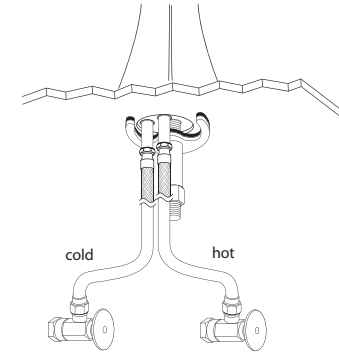
1. Install the two braided supply hoses to the bottom of the faucet.
2. Install the long threaded screw to the bottom of the faucet.
3. Slide the hoses and long threaded screw down the hole on the counter top.

②



1. From underneath slide the rubber washer through the long threaded screw.
2. Repeat same step with the metal u-clip
3. Screw the metal lock nut onto the the long threaded screw.
4. Thread the nut up the drain body until snug against the underside of the lavatory. Use care not to rotate the faucet while tightening the nut.

③



1. Connect the hot and cold supply lines to the hot and cold lines from the home.
2. Flush the lines. Turn on the main water supply and then turn on the handle and let water flow for about 2-3 minutes. While flushing the lines make sure to check for leakage underneath the sink and at all major connection points.  
Note: It is very important to install hot and cold inlet correctly.

