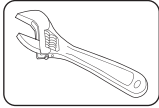
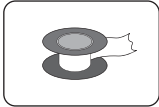


## Tools You Will Need



Adjustable Wrench



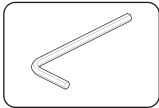
Pipe Tape



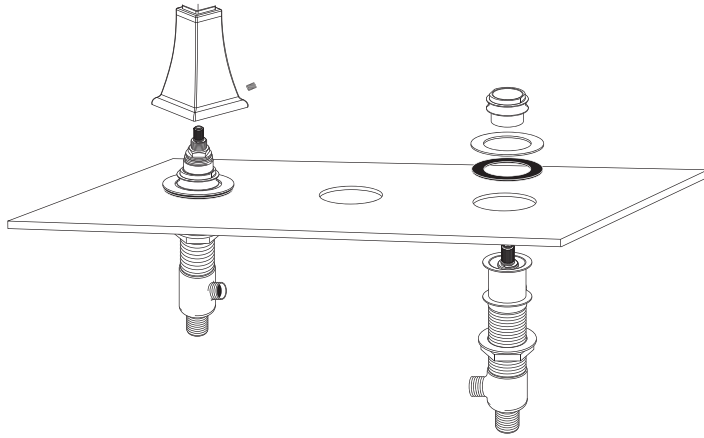
Silicone Caulking



Groove joint plier



Allen Wrench



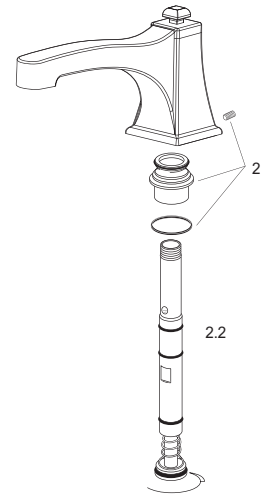
Before installing make sure that if the hole are being drilled into solid surface deck that they are drilled no larger than 1.5". (See specific specs for Spout hole)

### Install Valve bodies:

To install the valve bodies first loosen the bottom lock nut on the neck of the valve such that the valve has enough room when place through the hole from under the counter top. Next, place (Optional) spacer over the valve body. From the bottom slide the valve body up the hole and position the valve body as desired. From the top place rubber washer and metal washer over the valve body so that the washer sit down against the counter top. Screw the adaptor to the top of the valve body. Once valve is in the desired position make sure that the adaptor nut sits securely over the washers. Tighten the bottom lock nut until valve body is secure.

Place the handle and escutcheon over the adaptor and valve body stem. Make sure to install with handle in the off position. Once escutcheon and handle are firmly seated tighten the set screw on the back of the escutcheon so that it holds the escutcheon to the adaptor.

Hint: At this point you can test the handle to make sure that the stem position lines up properly. Otherwise you may need to loosen the valve body and adjust the position. (Repeat for other side)

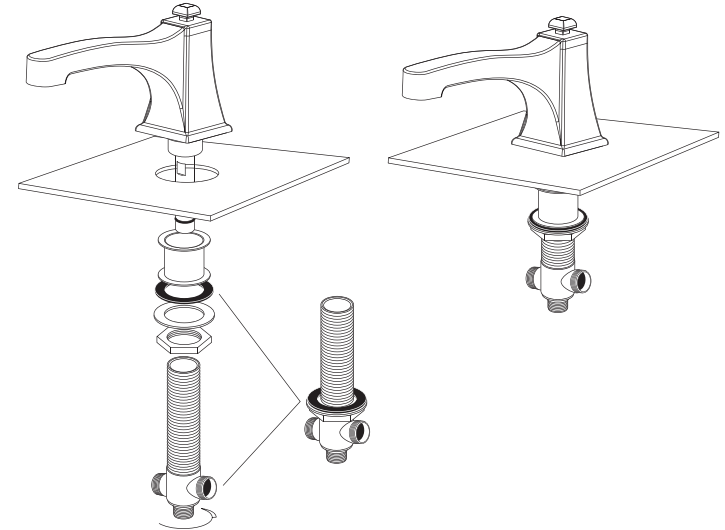


### Spout Installation:

Insert the spout adaptor (2.1) to the underside of the spout, rubber washer in first. Press up such that you are applying pressure to make the adaptor sit firmly up against the bottom of the spout. Tighten the spout set screw (2.1) on the back of the spout so that it secures the spout adaptor to the spout.

Insert the spout inner stem through the spout adaptor and screw it onto the threads on the inside of the spout.

H.B. recommends using a small amount of silicone grease lubricant on all o-rings before installing the spout.

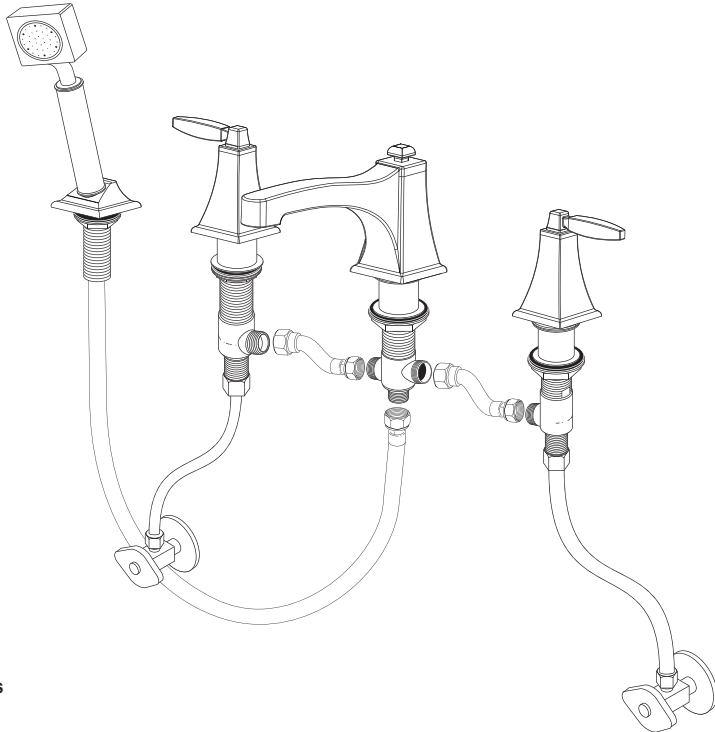


Place the spout washer (2.1) on the underside of the spout. From the top place the spout through the hole on the counter top.

### To install T-valve:

Loosen lock nut to the bottomless point on the T-valve (see picture). Then place the metal washer and the rubber washer over the T-valve. Place the (Optional) spacer on the T-valve. From underneath push the T-valve up the inner stem and hand tighten. T-valve will screw onto the bottom of the spout adaptor.

From underneath, tighten the spout lock nut to the bottom of the deck. Make sure to make good contact with the deck surface to ensure the spout is secure.



### Connect the Hand Shower:

Slide the housing through the housing hole.

From underneath insert the rubber washer and the metal washer up the housing stem. Then tighten the lock nut up the housing stem so that it sits flush up against the deck.

From the top insert the hand shower hose through the housing, and from underneath connect the hose to the bottom of the T-valve.

Connect the hand shower to the hose

Connect the water supply lines:

Finally connect the water supply lines from the hot and cold valves to the T-valve. Using the steel braided hoses supplied, connect one end first to the side outlets of the valve bodies and the other end to the opening on the T-valve. End hex nut on the hoses should be hand tightened plus and extra 1/2 turn with a wrench. Do not over tighten the hose connections.

### Flush the system:

You will need to flush and test the system. Unscrew the aerator from the spout using the aerator lock key provided. Turn the main water supply back on and turn on both the hot and cold valves. Let the water run for about 2-3 minutes. Check above and below the deck surface and at all major connection points for leakage.

Thank you for choosing Huntington Brass. Your new HB faucet is guaranteed to give you a life time of worry free, impeccable function.

