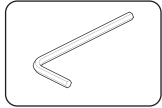
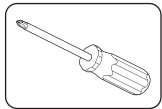


Tools You Will Need



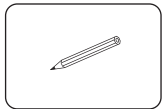
Allen Wrench



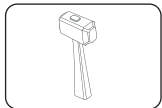
Phillips Screwdriver



Drill



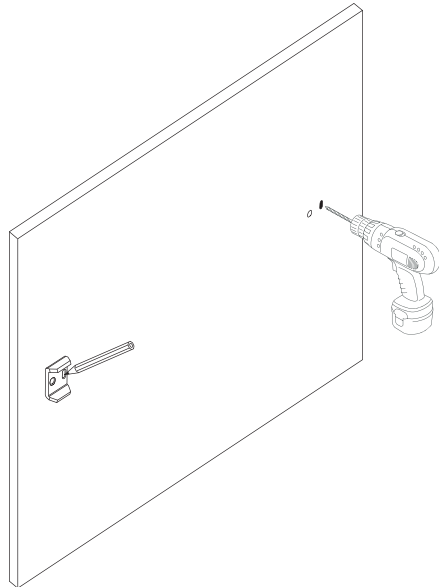
Pencil



Hammer

Before Your Installation

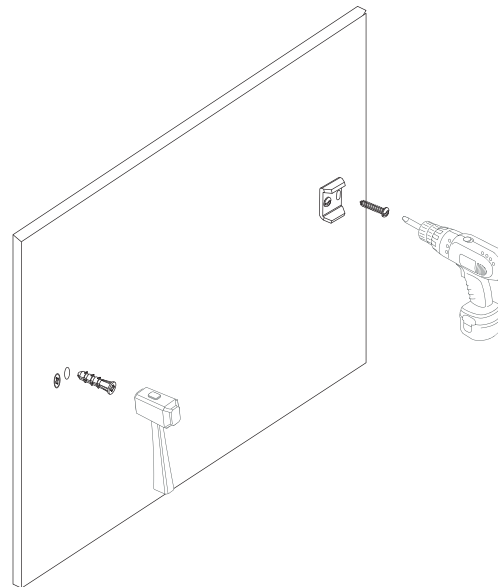
- Read all instructions carefully.
- Assemble all tools.
- Clean surface before installing new bath accessory.
- HB recommends that when cleaning your HB bath accessory to only use soap and warm water. The use of any chemical substances will void finish warranty



Determine the desired height and location for mounting the bath accessory. Mark the two slots with a pencil for the screw anchors by using the mounting plate as a template. Grab a drill, and drill out two holes per anchor.

Tips for Successful Installations

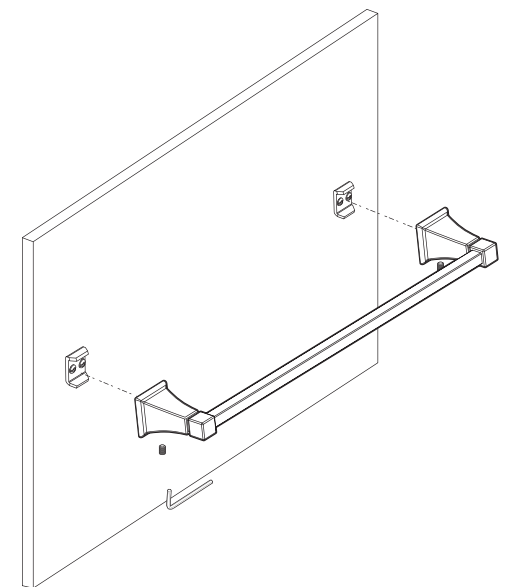
- Tighten all set screws with allen wrench. Do not over tighten.
- Use a ruler to help you measure.
- If you experience problems with the installation consult a professional plumber.



Insert anchors into each of the holes and tap flush to the wall with a hammer. Place mounting plate over the screw anchors. Use a drill and insert the wall screws onto the bracket. Make sure that the mounting plate is flush with the finish wall.

Help Info? Please call Toll-FREE customer service line at 1-800-888-6604 for additional assistance service.

Requiere asistencia? Favor de llamar a nuestro servicio a clientes sin costo al 1-800-888-6604 para asistencia adicional o servicio.



Install the bath accessory by placing it over the mounting plate. From underneath tighten the set screw with a hex wrench. Make sure that the bath accessory does not move and or wiggle back and forth. If it does, remove it from the mounting plate and repeat the step. Make sure the escutcheon base is flush with the finish wall.



Thank you for using
Huntington Brass products