

**Citidel Paper Holder
HBBAPH**

Description

- "Citidel" toilet paper holder

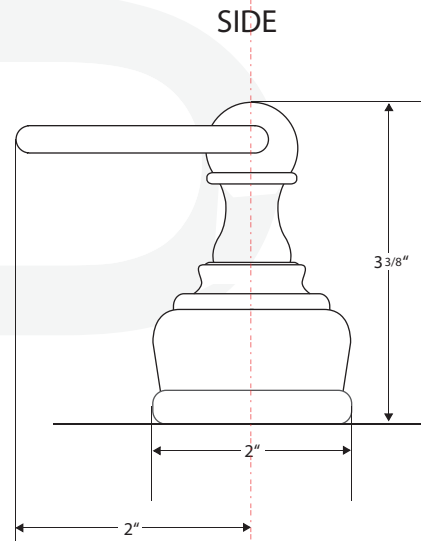
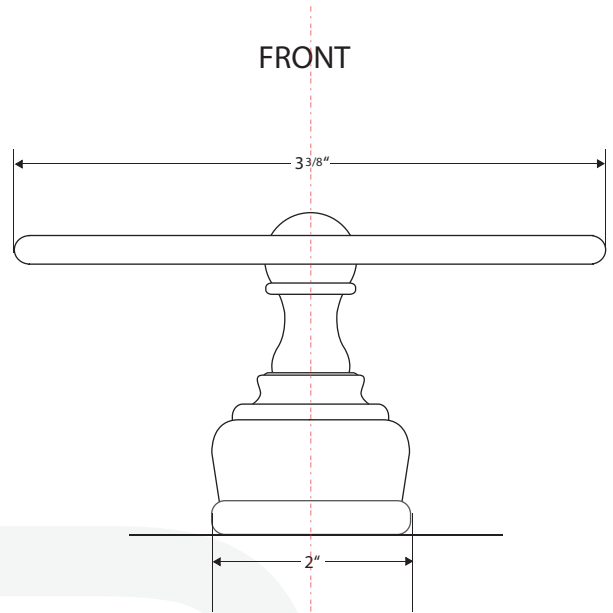
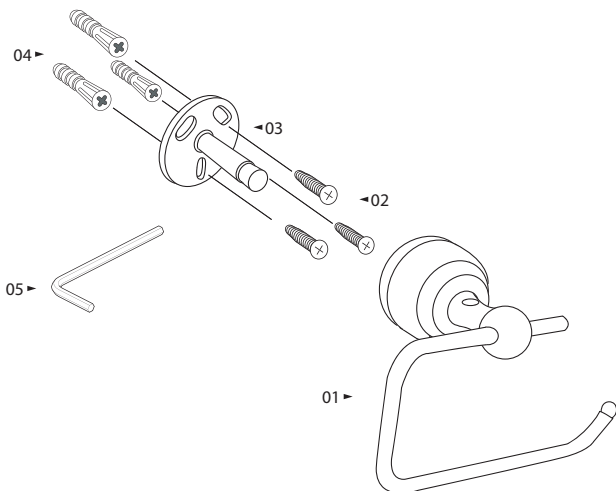


Colors / Finishes

- C - Chrome
- NK - Satin Nickel
- 20 - Antique Bronze
- 22 - Antique nickel

**BREAK DOWN
Component Parts List**

#	PART NAME	QTY
1	TOILET PAPER HOLDER	1
2	PHILIPS HEAD SCREWS	3
3	BLANK	1
4	WALL PLUGS	3
5	ALLEN WRENCH	3



To install:

1. Locate the desired location for the paper holder to hang.
2. Mark the bracket hanging points.
3. Drill 3 holes in position for the wall plugs to hang the bracket.
4. Insert the wall plugs and secure the bracket with the screws.
5. Slide base onto the bracket at secure by tightening the set screw.