



Single Handle 8" Kitchen Faucet
HB5610 / HB5620 / HB5611 / HB5621
HB5621-CS / HB5630

Description

- Metal Loop / Lever handle options
- 8" center kitchen faucet
- 360° swing angle, 9" metal spout
- Stainless steel ball washerless valve
- 1/2" IPS connections
- 2.0 GPM ASME compliant



Standards

- ASME A112.18.1 Compliant
- Listed IAPMO / UPC
- ADA Accessibility Guidelines for Buildings and Facilities - 4.27.4 Controls and Mechanisms (lever handle only)
- NSF - 61-9 tested and approved
- CSA B125.1 Compliant and listed



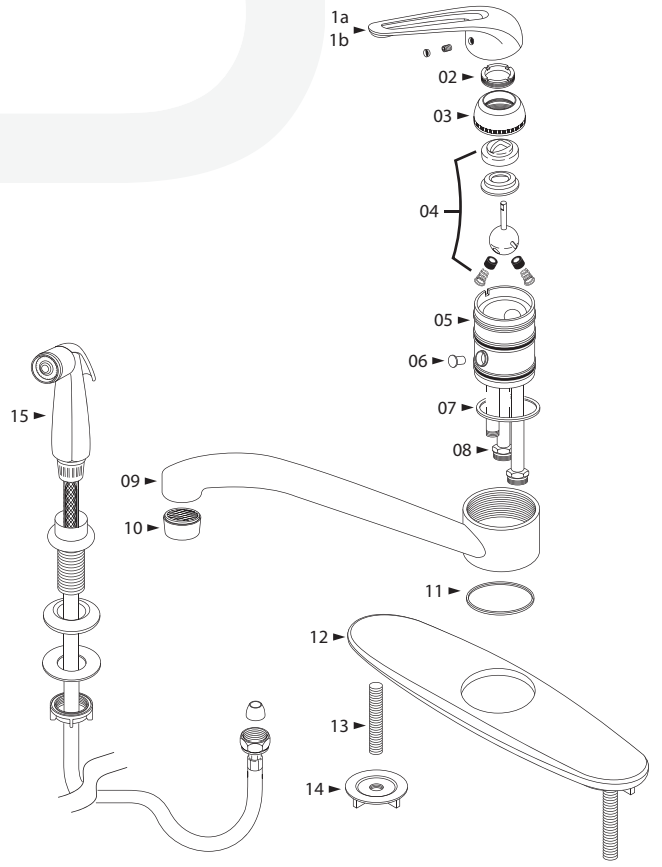
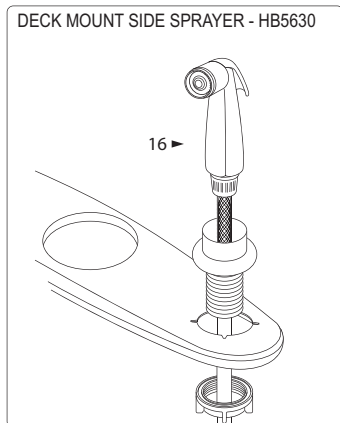
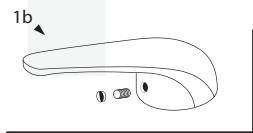
Colors / Finishes

- C - Chrome
- NK - Satin Nickel

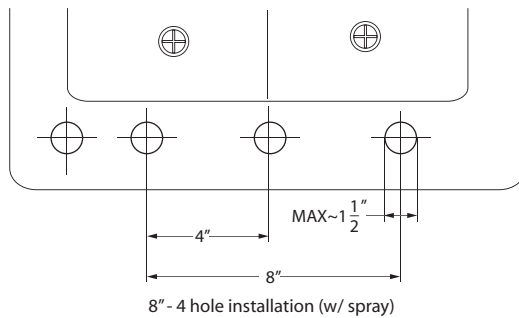
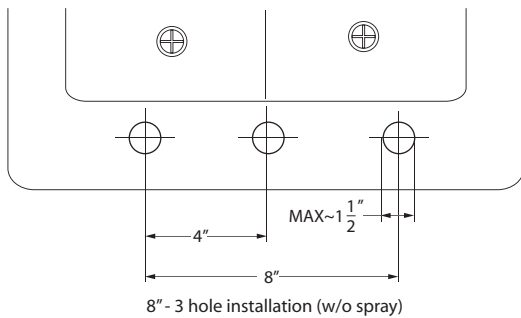
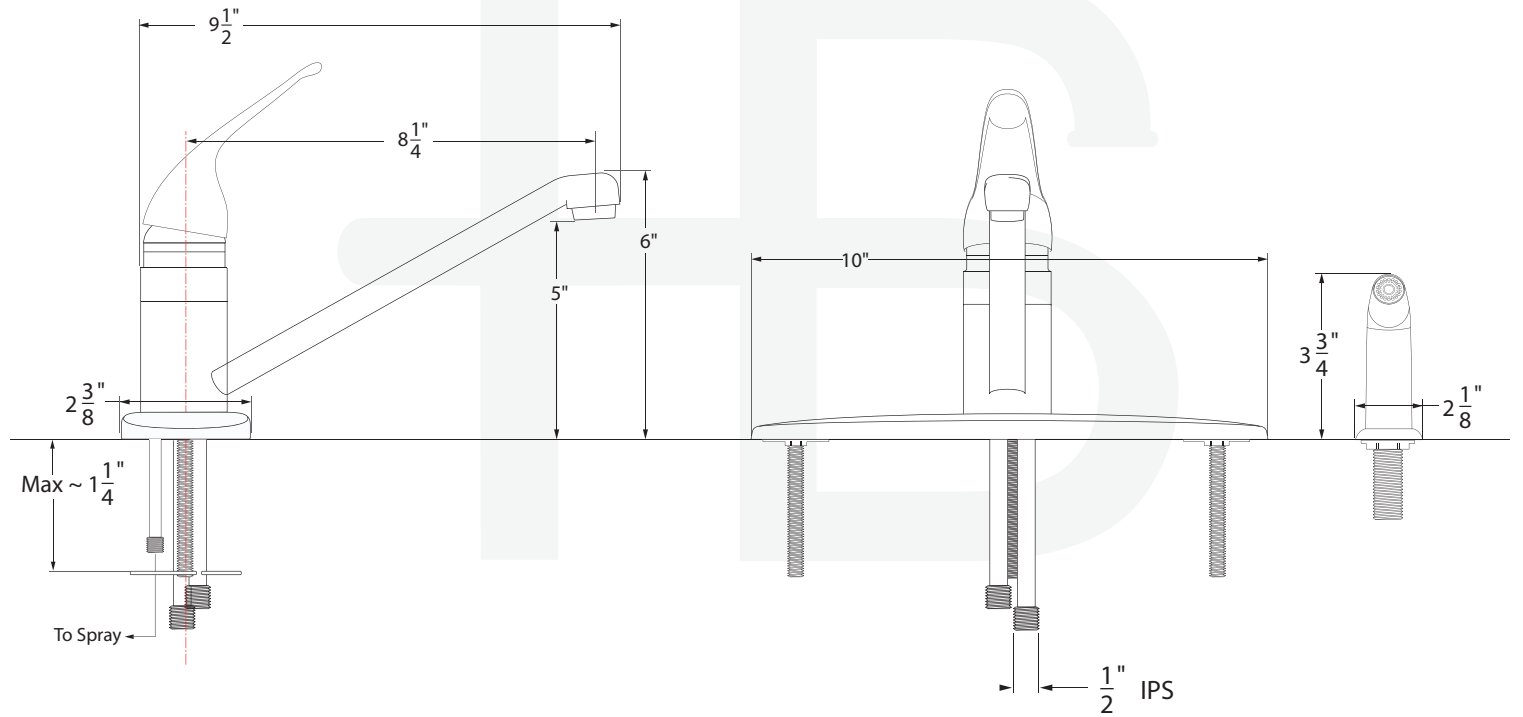
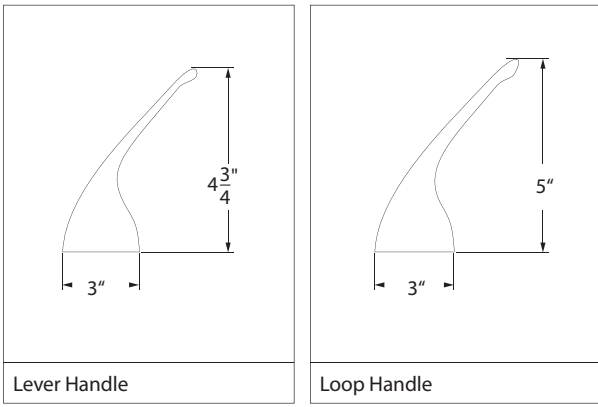
Special Handle Option
 Lever / Loop
 CS - w/ matching chrome sprayer

BREAK DOWN
Component Parts List

#	PART NAME	QTY
1a	LOOP HANDLE (HB5610)	1
1b	LEVER HANDLE (HB5611)	1
2	CARTRIDGE RETAINING NUT	1
3	CAP	1
4	CARTRIDGE ASSEMBLY	1
5	VALVE BODY	1
6	DIVERTER (ONLY FOR SIDE SPRAY MODEL)	1
7	BUSHING	1
8	SUPPLY LINES	2
9	SPOUT	1
10	AERATOR	1
11	BUSHING	1
12	DECK PLATE	1
13	MOUNTING SCREW	2
14	MOUNTING NUT	2
15	SIDE SPRAYER	1
	HB5630	
16	DECK MOUNT SIDE SPRAYER	1



SPECIFIED MODEL - Handle Options



Item Number	Type	Date
HB5610 / HB5620 / HB5611 / HB5621 / HB5621-CS / HB5630	Single Handle Kitchen	01/25/2006