



Single Handle 4" Lavatory Faucet HB5510 / HB5510BL / HB5510L

Description

- Single handle 4" center set lavatory faucet
- Zinc die cast housing
- Stainless steel ball washerless valve
- Brass pop-up
- 1/2" NPS connections
- 2.0 GPM ASME complaint

Standards

- ASME A112.18.1 Compliant
- Listed IAPMO / UPC
- ADA Accessibility Guidelines for Buildings and Facilities - 4.27.4 Controls and Mechanisms (lever handle only)
- NSF - 61-9 tested and approved
- CSA B125.1 Compliant and listed



Colors / Finishes

- C - Chrome
- NK - Satin Nickel



• HB5510L



• HB5510BL

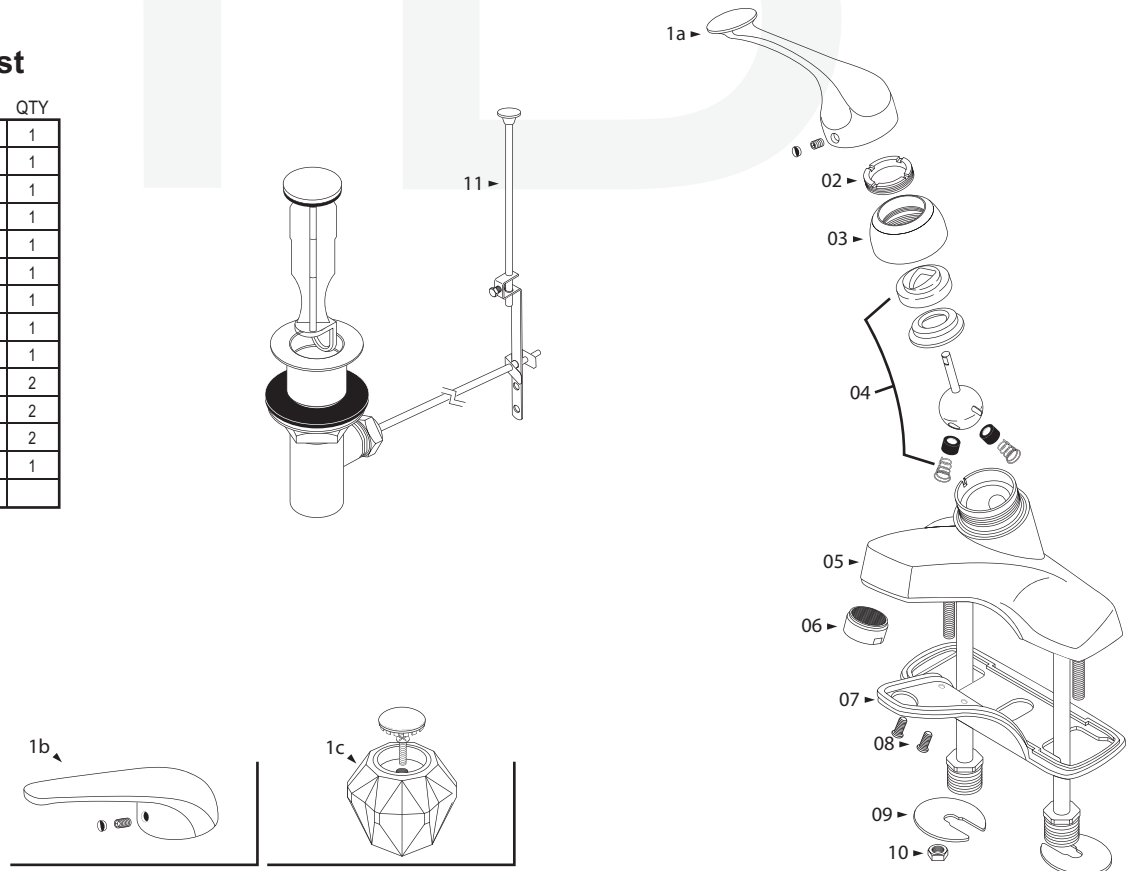


• HB5510

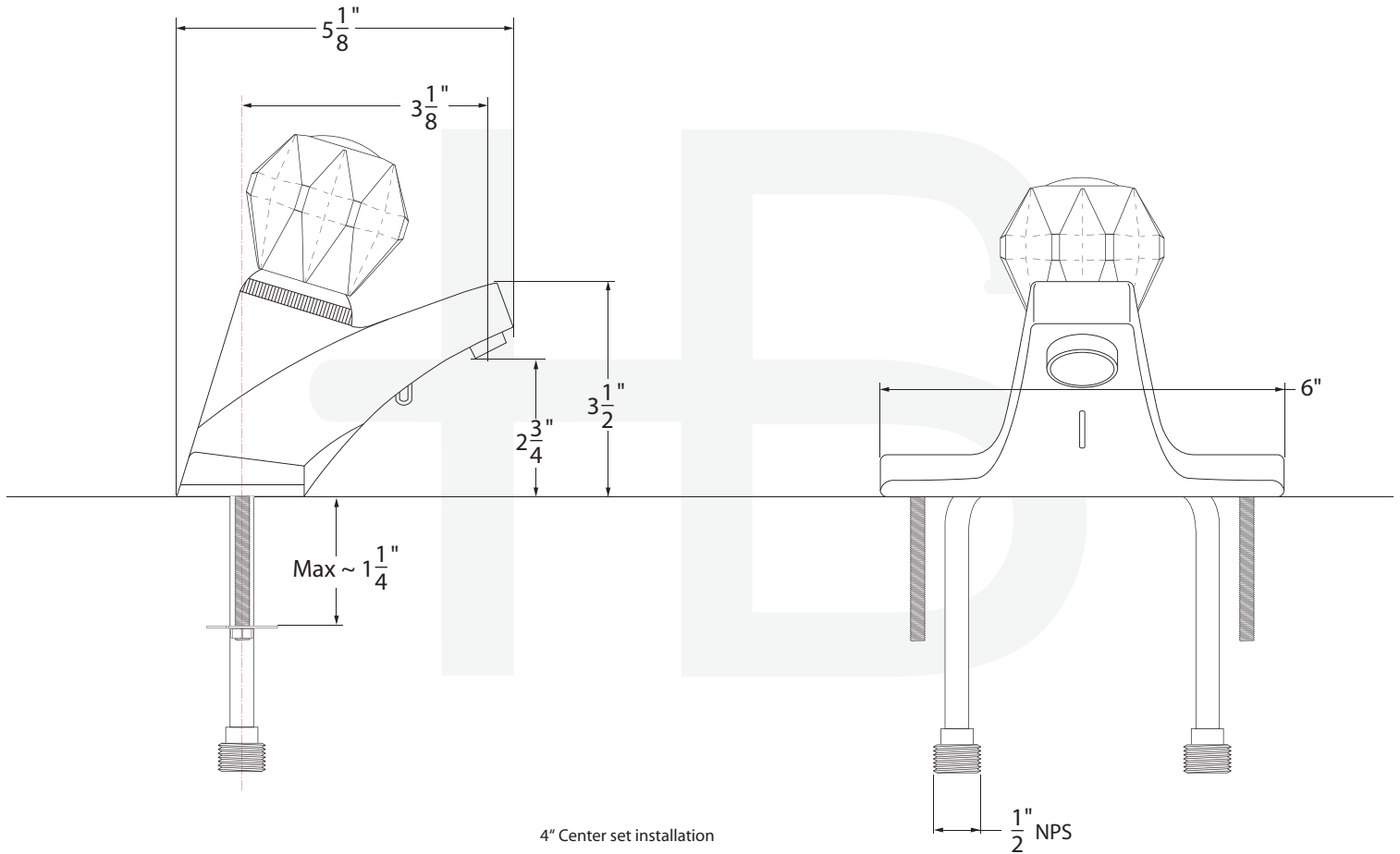
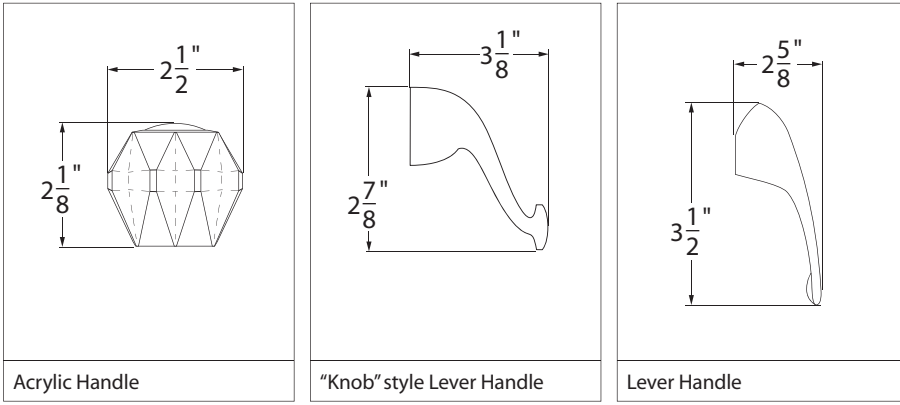
Special Handle Option
Acrylic / Lever / "Knob" Lever

BREAK DOWN Component Parts List

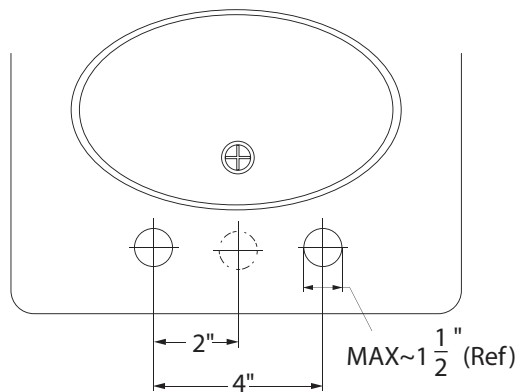
#	PART NAME	QTY
1a	Knob Lever Handle (HB5510L)	1
1b	Lever Handle (HB5510BL)	1
1c	Acrylic Handle (HB5510)	1
2	Cartridge Retaining Nut	1
3	Cap	1
4	Cartridge Assembly	1
5	Valve Body & Housing	1
6	Aerator	1
7	Under Plate	1
8	Screws	2
9	Mounting Washer	2
10	Mounting Nut	2
11	Pop-Up Assembly	1



SPECIFIED MODEL - Handle Options



4" Center set installation



Item Number	Type	Date
HB5510 / HB5510L / HB5510BL	Single Handle Lavatory	01/29/2006